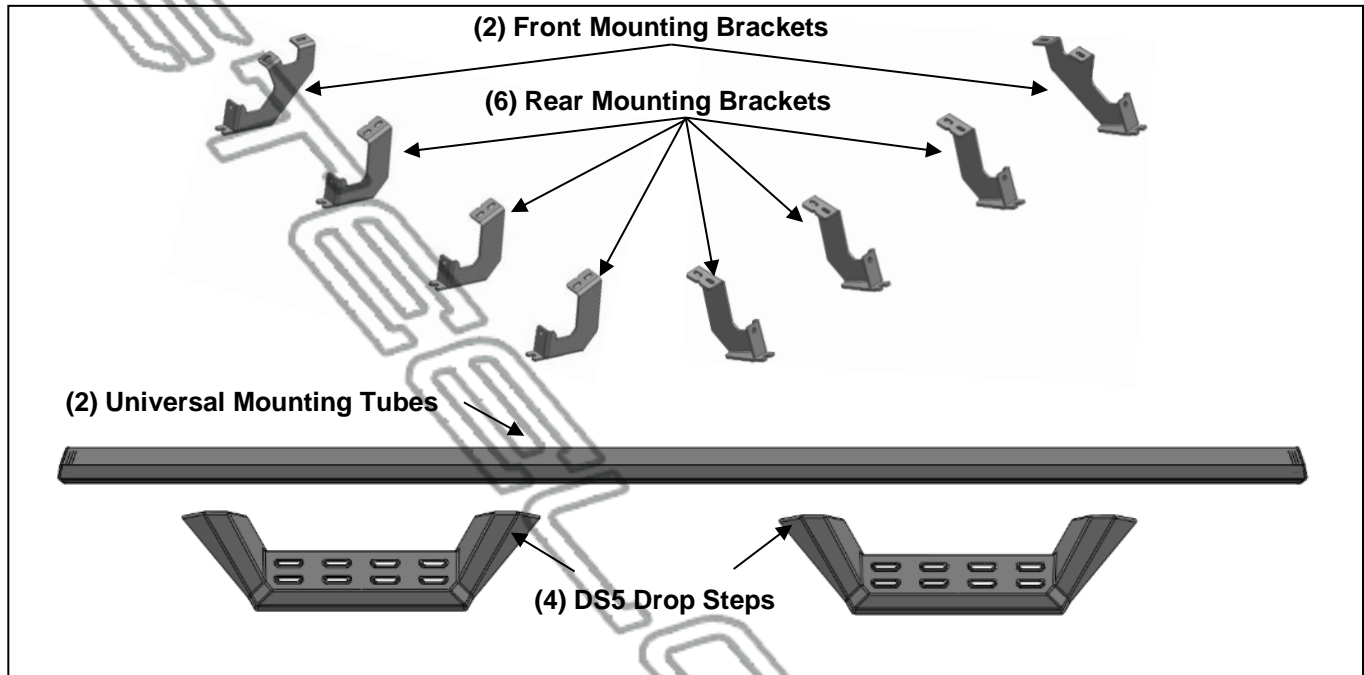


PARTS LIST:

2	Universal Mounting Tubes (85"	32	8mm Lock Washers
4	DS5 Drop Steps	32	8mm x 24mm x 2mm Flat Washers
2	Front Mounting Brackets	16	8-1.25mm Hex Nuts
6	Rear Mounting Brackets	16	8-1.25mm x 30mm Hex Bolts
8	Plate Washers	16	8-1.25mm Nylon Lock Nuts
32	8-1.25mm x 25mm T-Bolts	2	Left Plastic End Caps
		2	Right Plastic End Caps



PROCEDURE:

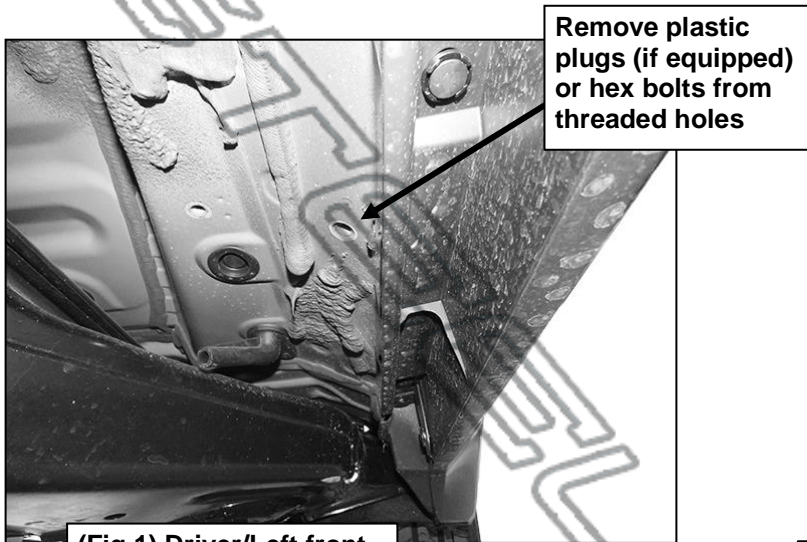
REMOVE CONTENTS FROM BOX. VERIFY ALL PARTS ARE PRESENT. READ INSTRUCTIONS CAREFULLY. ASSISTANCE IS RECOMMENDED.

1. Starting on the Driver/Left side of the vehicle and remove the plastic plugs or hex bolts from the factory mounting location along the bottom of the body, **(Figures 1 & 4)**.
2. Select the Front Mounting Bracket. Attach the Bracket to the front location with (2) 8mm Hex Bolts, (2) 8mm Lock Washers and (2) 8mm Flat Washers, **(Figures 2 & 3)**. Do not tighten hardware.
3. Repeat **Steps 1 & 2** to attach the (3) Rear Mounting Brackets, **(Figures 4—8)**.
4. Select the Universal Mounting Tube. Select (8) 8mm T-bolts. Insert the T-bolts into the rear and bottom channels of the Universal Mounting Tube, **(Figure 9)**. Guide the T-bolts to the general position of the Mounting Brackets.
5. Take (8) 8mm T-bolts. Insert the T-bolts into the front channels of the Universal Mounting Tube **(Figure 10)**. Each front channel should have (4) T-bolts, which corresponds to the holes on the DS5 Drop Steps.
6. Attach the DS5 Drop Steps to the Universal Mounting Tube. Each DS5 Drop Step uses (2) 8mm Plate Washers and (4) 8mm Nylon Lock Nuts, **(Figure 11—12)**. Do not tighten hardware. While the hardware is not tightened, the Drop Steps will slide along the length of the channels.
7. Take (2) Plastic End Caps. Insert the correctly oriented Plastic End Caps onto the ends of the Universal Mounting Tube, **(Figure 13)**. It is recommended to secure one end and to use a rubber mallet to carefully tap the Plastic End Caps into place on the other end. Inspect the installed Plastic End Caps to see if they are facing the correct direction.
8. Attach the Universal Mounting Tube to the Mounting Brackets. Each Mounting Bracket uses (2) 8mm Flat Washers, (2) 8mm Lock Washers and (2) 8mm Hex Nuts, **(Figure 14—18)**. Do not tighten hardware.
9. Level and adjust the Universal Mounting Tube and tighten all hardware.

10. Adjust the DS5 Drop Steps by sliding them to the desired positions. Tighten all hardware to secure the Drop Steps in place.
11. Repeat **Steps 1—10** to attach the other Running Board.
12. Do periodic inspections to the installation to make sure that all hardware is secure and tight.

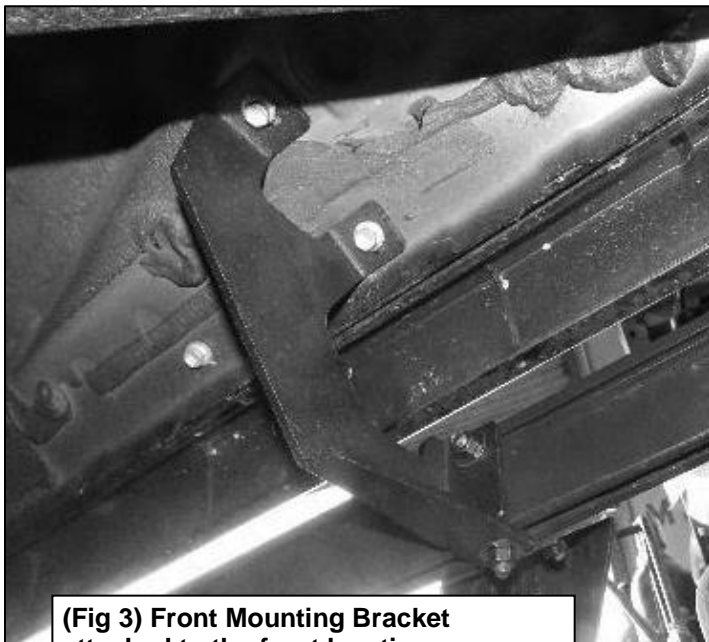
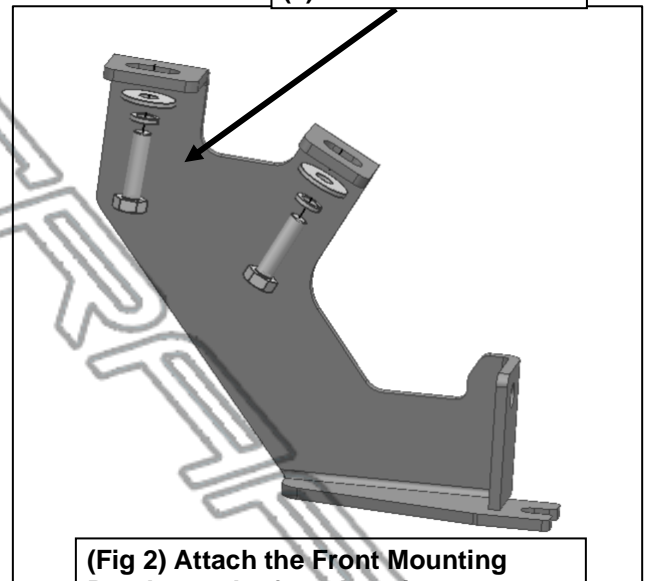
To protect your investment, Do not use any type of polish or wax that may contain abrasives that could damage the finish. Use only mild soap to clean the Running Boards.

Driver/Left Side Installation Pictured



(Fig 1) Driver/Left front mounting location

- (2) 8mm Hex Bolts
- (2) 8mm Lock Washers
- (2) 8mm Flat Washers

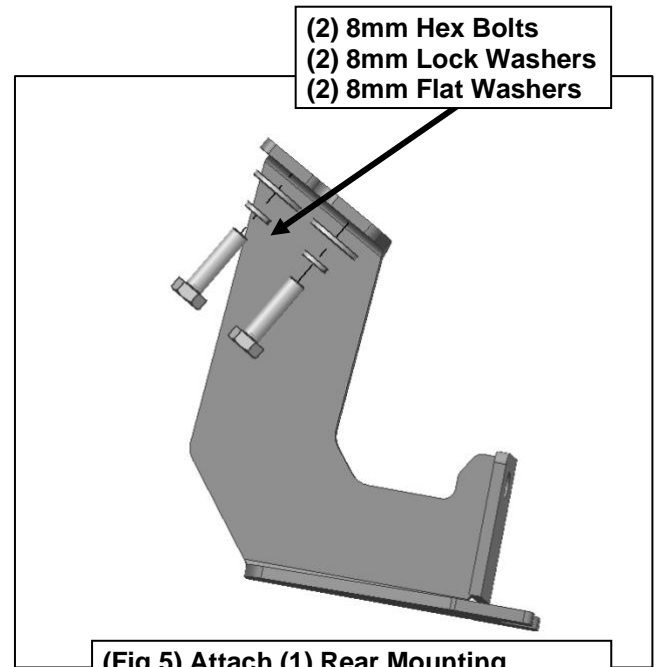


(Fig 3) Front Mounting Bracket attached to the front location

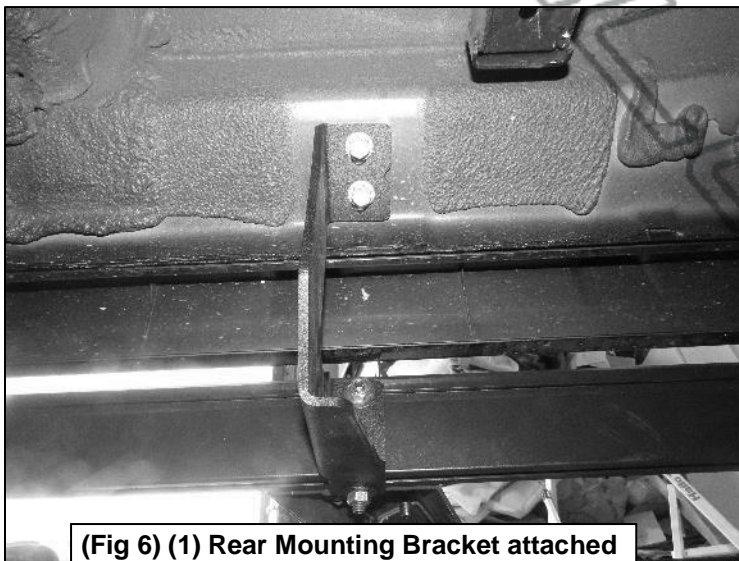
Driver/Left Side Installation Pictured



(Fig 4) Driver/Left center (2nd) location



(Fig 5) Attach (1) Rear Mounting Bracket to the 2nd location



(Fig 6) (1) Rear Mounting Bracket attached to the 2nd location

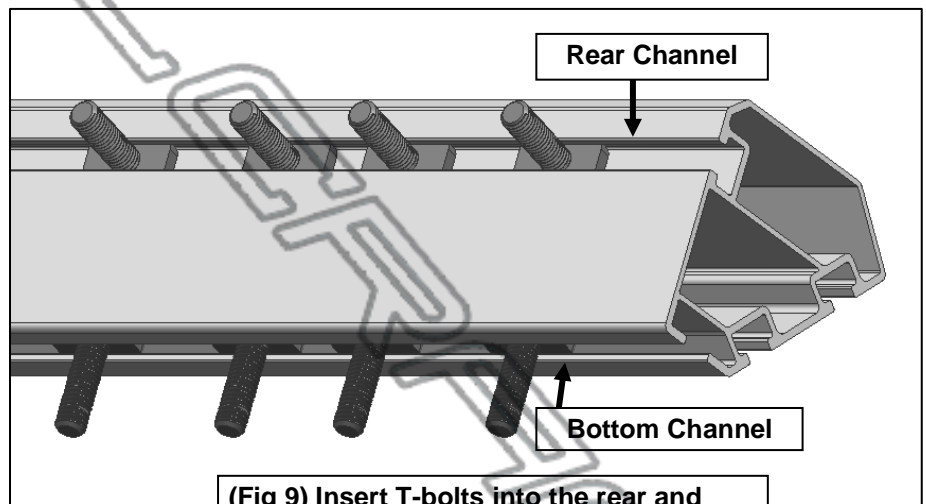


(Fig 7) (1) Driver/Left Rear Mounting Bracket attached to the 3rd location

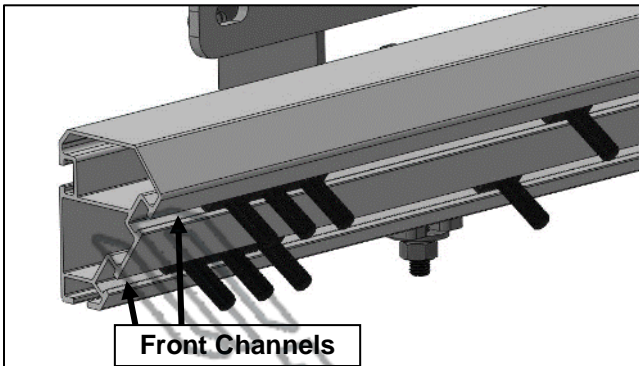
Driver/Left Side Installation Pictured



(Fig 8) (1) Driver/Left Rear Mounting Bracket attached to the rear location

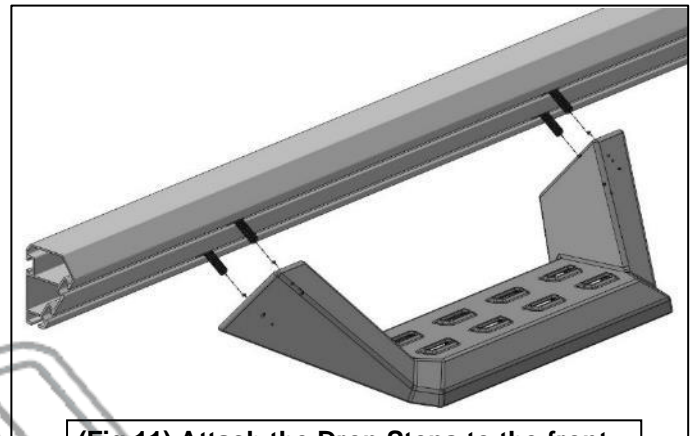


(Fig 9) Insert T-bolts into the rear and bottom channels on the universal mounting tube.

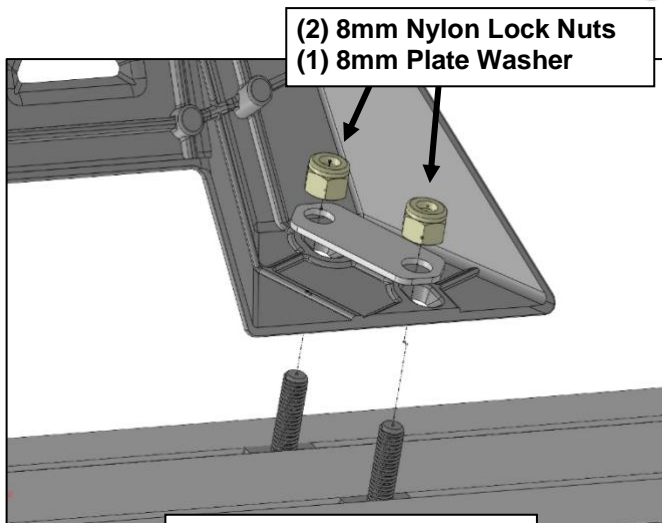


(Fig 10) Insert T-bolts into the Front channels on the universal mounting tube.

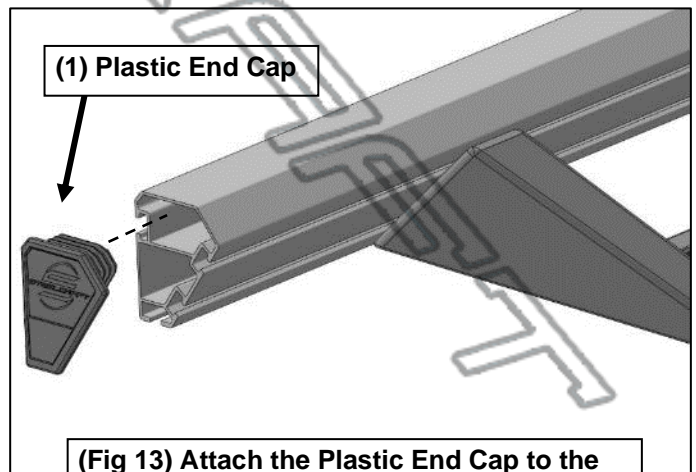
Driver/Left Side Installation Pictured



(Fig 11) Attach the Drop Steps to the front channels of the Universal Mounting Tube.

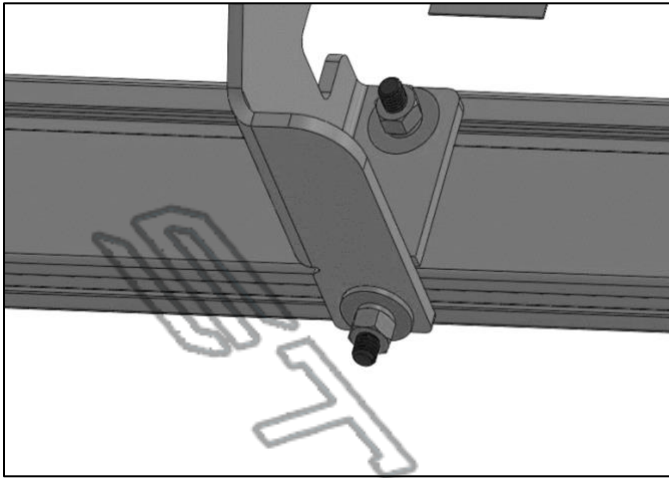


(Fig 12) Attach the Drop Steps to the 8mm T-bolts.

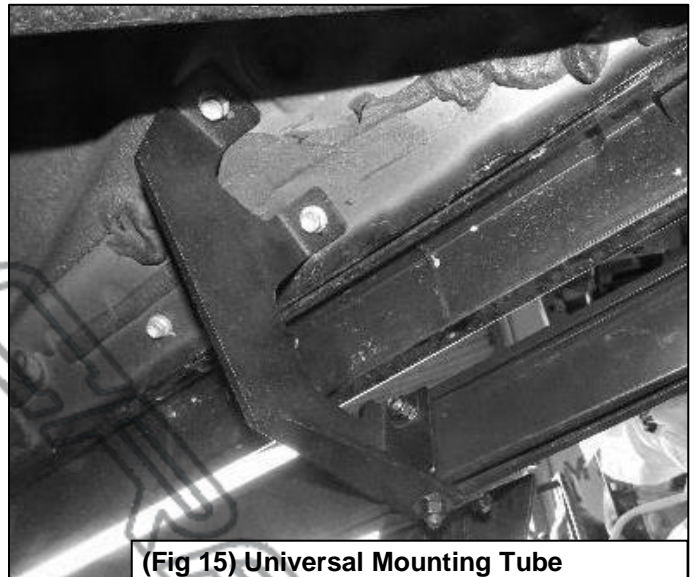


(Fig 13) Attach the Plastic End Cap to the end of the Universal Mounting Tube.

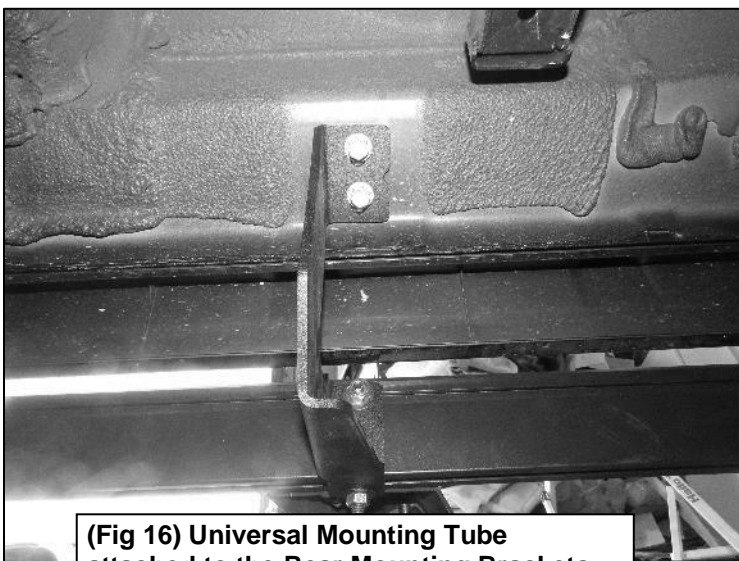
- (2) 8mm Flat Washers
- (2) 8mm Lock Washers
- (2) 8mm Hex Nuts



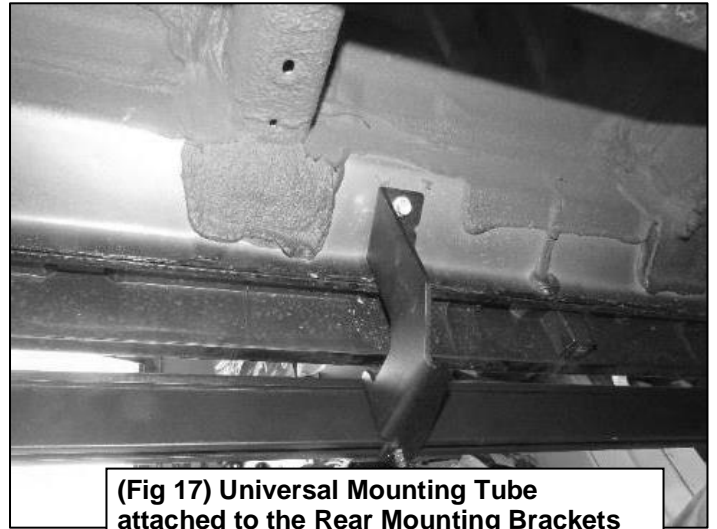
Driver/Left Side Installation Pictured



**(Fig 15) Universal Mounting Tube
attached to the Front Mounting Bracket.**



**(Fig 16) Universal Mounting Tube
attached to the Rear Mounting Brackets**



**(Fig 17) Universal Mounting Tube
attached to the Rear Mounting Brackets**

Driver/Left Side Installation Pictured



**(Fig 18) Universal Mounting Tube
attached to the Rear Mounting Brackets**