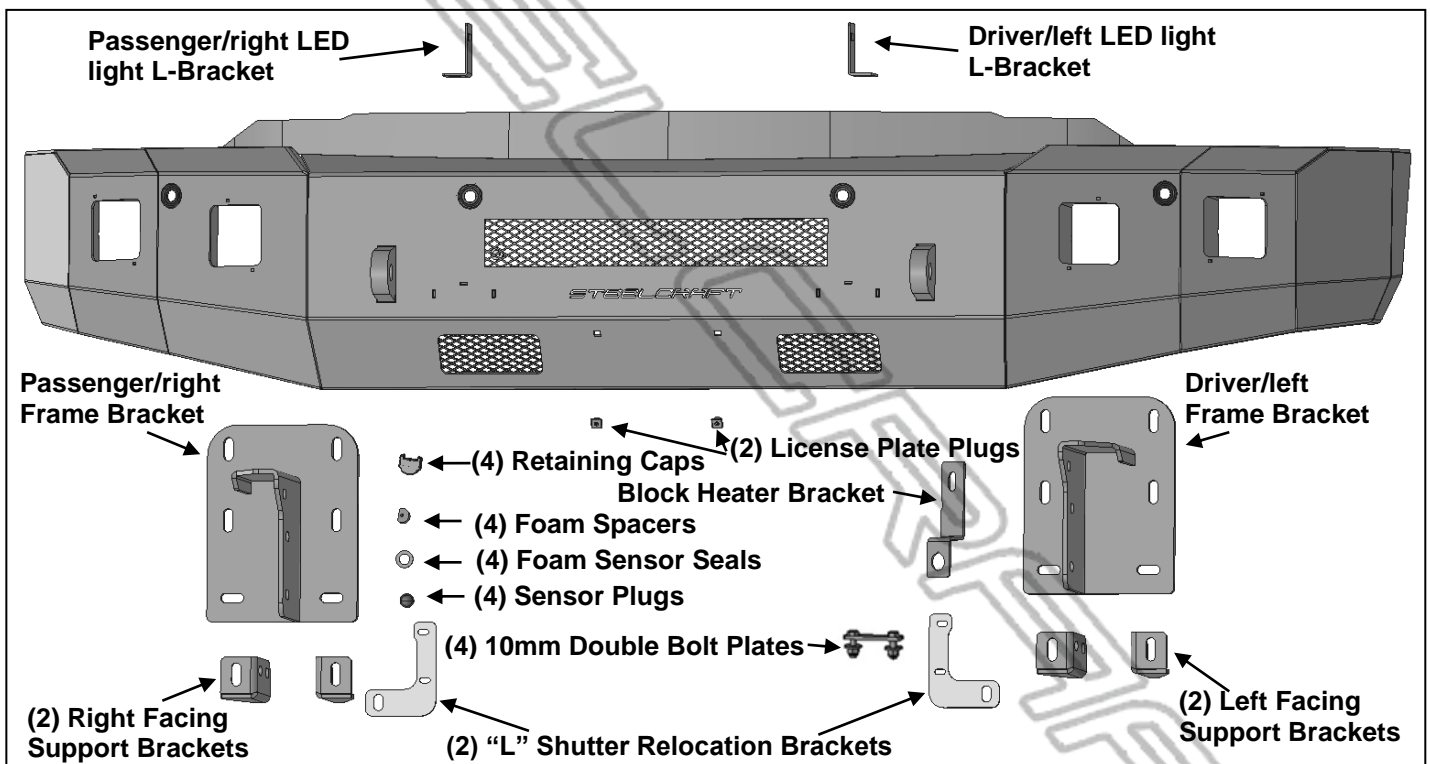


**FORTIS FRONT BUMPER  
2024 CHEVY SILVERADO 25-3500**

**PARTS LIST:**

1	Fortis Front Bumper	20	12mm x 32mm x 3mm Flat Washers
1	Driver/left Side Frame Bracket	10	12mm Nylon Lock Nuts
1	Passenger/right Side Frame Bracket	4	10mm x 35mm Double bolt plates
2	Driver/left Side Support Bracket	8	10mm x 27mm x 3mm Flat Washers
2	Passenger/right Side Support Bracket	10	10mm x 34mm x 3mm Flat Washers
1	Driver/left Side LED light L-bracket	9	10mm Nylon Lock Nuts
1	Passenger/right Side LED light L-bracket	9	10mm x 40mm Hex Bolt
2	Shutter Relocation Brackets	8	10mm Lock Washers
1	Engine Block Heater Bracket	2	8mm Hex Nuts
2	Plastic Plugs for license plate mount	4	8mm Lock Washers
4	Sensor Retaining Caps	2	8mm x 25mm Hex Bolts
4	Foam Washer Sensor Seals	2	8mm x 16mm Hex Bolts
4	10mm Foam Sensor Spacers	6	8mm x 24mm x 2mm Flat Washers
1	Sensor Cover Kit	4	6mm Nylon Lock Nuts
4	Plastic Sensor Hole Plugs	4	6mm x 20mm Hex Bolts
10	12mm x 45mm Hex Bolts	8	6mm x 18mm x 1.6mm Flat Washers
		8	4mm Self Tapping Screws



**PROCEDURE:**

**REMOVE CONTENTS FROM BOX. VERIFY ALL PARTS ARE PRESENT. READ INSTRUCTIONS CAREFULLY BEFORE STARTING INSTALLATION. BUMPER IS HEAVY, ASSISTANCE IS HIGHLY RECOMMENDED TO AVOID POSSIBLE INJURY OR DAMAGE TO THE VEHICLE.**

1. Start installation at the driver/left wheel opening. Remove the hardware attaching the fender liner to the front of the fender and the end of the plastic body panel, **(Figure 1)**. Carefully pull the plastic fender flare out to release the clips attaching it to the body panel, (fascia), and end of the fender, **(Figure 2)**. Only release the forward end of the flare, it is not necessary to remove the flare. Remove the screws attaching the end of the fascia panel to the front fender, **(Figure 3)**. Repeat this Step to release the

**FORTIS FRONT BUMPER  
2024 CHEVY SILVERADO 25-3500**

passenger/right end of the fascia from the fender. Pull along the center of the fascia to release the remainder of the clips and move the plastic panel to a clean surface, **(Figure 4)**.

2. Open the hood and temporarily remove the hood release handle and plastic cover from the top of the grille and radiator, **(Figure 5)**. Remove the hardware attaching the grille and pull it straight out from the vehicle. On models with grille mounted camera, unplug harness leading to the camera and remove the grille, **(Figures 6 & 7)**.
3. Unplug any wiring harnesses leading to the front bumper, **(Figure 8)**. Move all harnesses away from bumper. Remove the license plate and bracket if equipped.
4. Remove the hardware at each end of the bumper attaching the bumper supports to each side of the frame, **(Figure 9)**.
5. Place blocks or jack stands under the front bumper to support it during mounting bolt removal. Once the bumper has been safely supported, from above the bumper, remove the (2) factory upper and lower bumper bolts from each side, **(Figure 10)**. **WARNING!** Assistance is required to hold the bumper in place during bolt removal to prevent the bumper from falling. Remove the bumper assembly.
6. Remove the factory bumper brackets and tow hooks, (if equipped), from the end of frame, **(Figure 11 & 13)**. On models with lower radiator shutter assembly, unplug and remove the assembly, **(Figure 12)**.
7. Select the driver/left Frame Mounting Bracket, **(Figure 14)**. Attach the Bracket to the mounting plate on the end of the frame with the included (4) 10mm x 40mm Hex Bolts, (4) 10mm Lock Washers, and (4) 10mm x 34mm large Flat Washers, **(Figures 14 & 15)**. Do not tighten hardware at this time.
8. Next, select (1) 10mm Double Bolt Plate and (1) Left Facing Lower Support Bracket, **(Figure 16)**. Insert the Bolt Plate up into the open end of the frame and through the holes in the outside of the frame. Attach the Left Facing Support Bracket to the Double Bolt Plate with (2) 10mm x 27mm Flat Washers and (2) 10mm Nylon Lock Nuts, **(Figure 16 & 18)**.
9. Attach the front of the Support Bracket to the back of the Mounting Bracket with (1) 12mm x 50mm Hex Bolt, (2) 12mm Flat Washers and (1) 12mm Nylon Lock Nut, **(Figure 17)**. Do not tighten at this time. Repeat this Step to attach Right Facing Support Bracket to the inner side of the frame and back of the Mounting Bracket, **(Figure 16 & 19)**... Repeat **Steps 7-9** to attach the passenger side brackets.
10. On models equipped with lower radiator shutter system, remove shutter assembly from outer plastic housing, **(Figure 20)**. Select (1) "L" Relocation Bracket. Use the previously installed (1) 12mm x 45mm Hex Bolt, (2) 12mm Flat Washers and (1) 12mm Nylon Lock Nut to attach the Bracket to the front of the Frame Bracket and Inner Support Bracket, **(Figures 17 & 21)**. Repeat this Step to attach the remaining "L" Bracket to the passenger/right Frame Bracket. Attach the shutter assembly to the front of the "L" Brackets with the included (4) 6mm x 20mm Hex Bolts, (8) 6mm Flat Washers and (4) 6mm Nylon Lock Nuts, **(Figures 21 & 22)**. Do not overtighten the 6mm hardware or damage to the shutter assembly may result. Plug wiring harness into shutter assembly.
11. **Optional Center LED light installation**, (sold separately). **NOTE:** Light may be easier to install in Bumper before Bumper Assembly is attached to Brackets.
  - a. Select the Driver side "L" Bracket. **NOTE:** "L" Brackets are offset for universal fitment for most LED bar style lights. Attach the Bracket to the top of the mounting tab on the back of the Bumper with the included (1) 8mm x 25mm Hex Bolt, (2) 8mm Flat Washers, (1) 8mm Lock Washer and (1) 8mm Hex Nut, **(Figure 23)**. Do not tighten hardware at this time.
  - b. Repeat Previous Step for Passenger side "L" Bracket installation.
  - c. Attach the LED Light Bar to the Brackets with (2) 8mm x 16mm Hex Bolts, (2) 8mm Lock Washers and (2) 8mm Flat Washers, **(Figure 23)**. Do not fully tighten hardware at this time.
  - d. Center and adjust light position and tighten hardware.
  - e. Follow light manufacturer's instructions to wire the light to the vehicle's electrical system once Bumper has been fully installed.
12. Sensors, if equipped, must be installed in Bumper before installing Bumper Assembly.

**Models without bumper parking sensors:**

  - a. Select the included (4) Plastic Sensor Plugs.
  - b. From the front of the bumper, push the included Plastic Plugs into the mounts, **(Figure 24)**.

**Models with bumper mounted parking sensors:**

  - a. Disassemble the front bumper to access the sensors and wiring harness, **(Figure 25)**. Unplug and remove sensors and wiring harness from factory bumper.

**FORTIS FRONT BUMPER  
2024 CHEVY SILVERADO 25-3500**

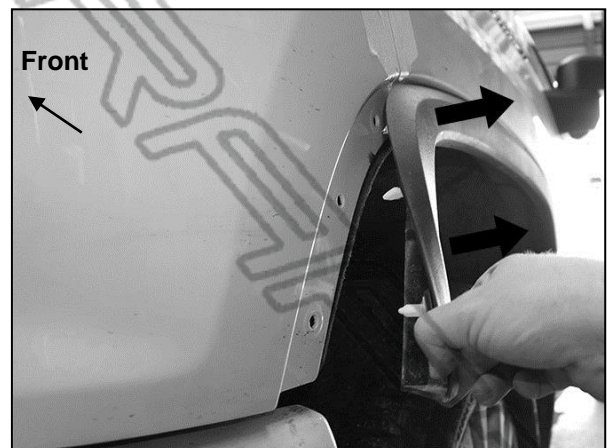
- b. Remove the OE silicone seal from the end of the sensors. Select the included larger (1) Foam Sensor Seal and peel off the adhesive backing. Slide the included Sensor Seal over front of a sensor, **(Figure 26)**.
  - c. Insert sensor with Seal into sensor mount on back of bumper until it clicks into position, **(Figure 27)**.
  - d. Select the included (1) Foam Spacer and peel off the adhesive backing. Place Foam Spacer into (1) Sensor Retainer Cap. Push Sensor Retaining Cap and Foam Spacer onto sensor mount and lock into mounting holes, **(Figure 27)**.
  - e. Repeat previous Steps to install remaining sensors.
13. With assistance, position the Bumper Assembly up to and over the Brackets. Temporarily support the weight of the Bumper. **WARNING:** To avoid possible injury or damage to the vehicle, do not proceed until the Bumper is fully and safely supported.
  14. Line up the driver/left mounting plate on the inside of the Bumper with the Frame Bracket. Attach the Bumper to the Bracket with the included (3) 12mm x 50mm Hex Bolts, (6) 12mm Flat Washers and (3) 12mm Nylon Lock Nuts, **(Figures 28 & 29)**. Do not fully tighten hardware at this time. Repeat this Step to attach the passenger side mounting plate to the Frame Bracket.
  15. Level and adjust the bumper and fully tighten all hardware.
  16. Use the included (2) push-in Plastic License Plate Plugs to attach the front license plate, (if required), to the (2) holes in the front Bumper, **(Figure 30)**.
  17. Optional: Trim fender liners to match new bumper height, **(Figure 31)**.
  18. Optional: Models with engine block heater; use universal Engine Block Heater Bracket to relocate the heater plug, **(Figure 32)**.
  19. Do periodic inspections to the installation to make sure that all hardware is secure and tight.

**To protect your investment,** Do not use any type of polish or wax that may contain abrasives that could damage the finish. Mild soap may be used to clean the Fortis Front Bumper assembly.

**Driver/left Side Pictured**



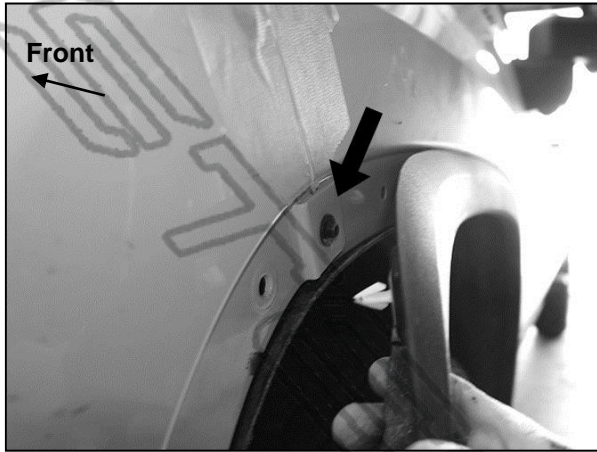
**(Fig 1) Release hardware attaching fender liner from plastic panel (fascia-see arrows)**



**(Fig 2) Pull front end of fender flare out and away from fender. Do not remove flare, only release the front section**



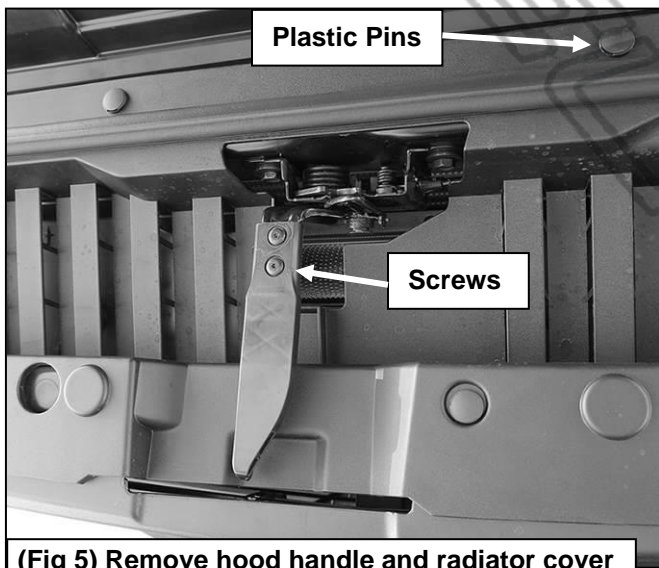
Driver/left Side Installation Pictured



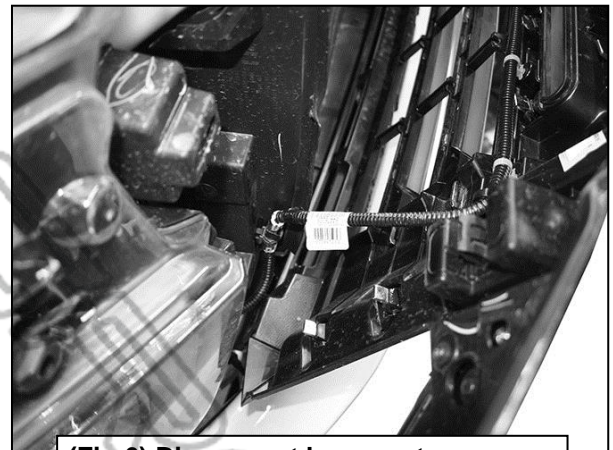
(Fig 3) Remove screws attaching plastic fascia panel to front end of fender (arrow)



(Fig 4) Remove plastic fascia from top of bumper



(Fig 5) Remove hood handle and radiator cover



(Fig 6) Disconnect harness to camera (if equipped) and remove grille



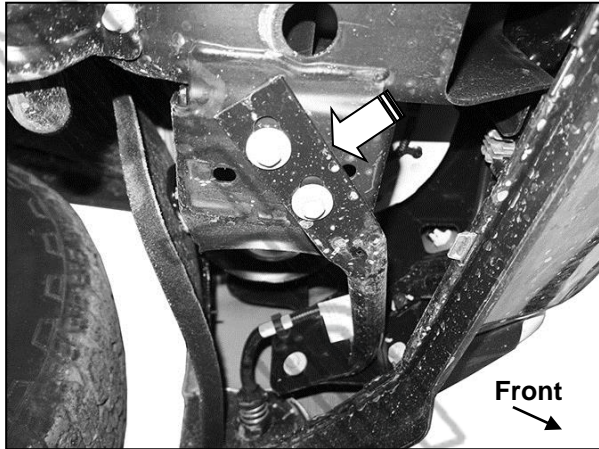
(Fig 7) Grille and fascia removed



(Fig 8) Disconnect all wire harnesses leading to front bumper

Driver/left Side Installation Pictured

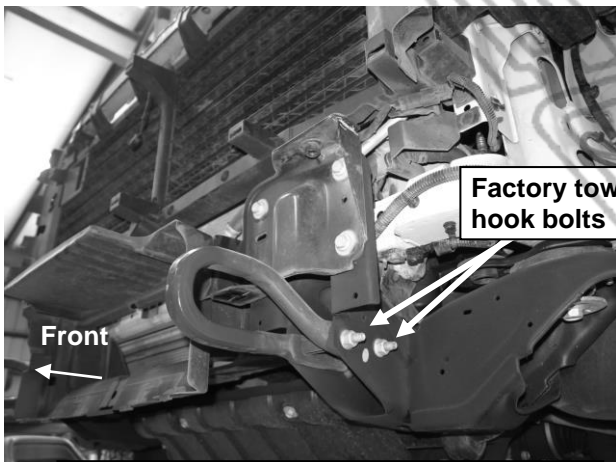
**WARNING!** Do not crawl under bumper unless it is properly supported on blocks or stands or the bumper may fall.



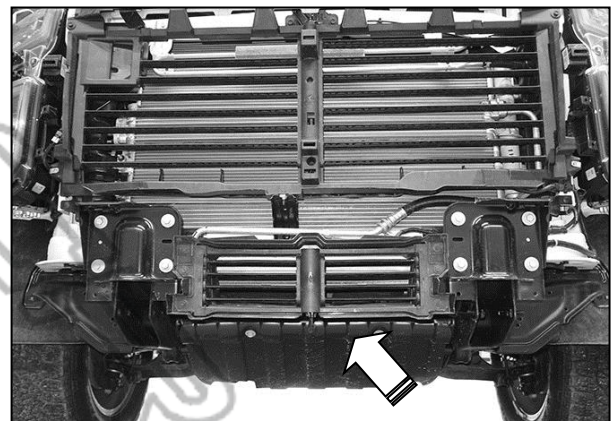
(Fig 9) Remove driver/left and passenger/right outer bumper supports attach to bottom of frame



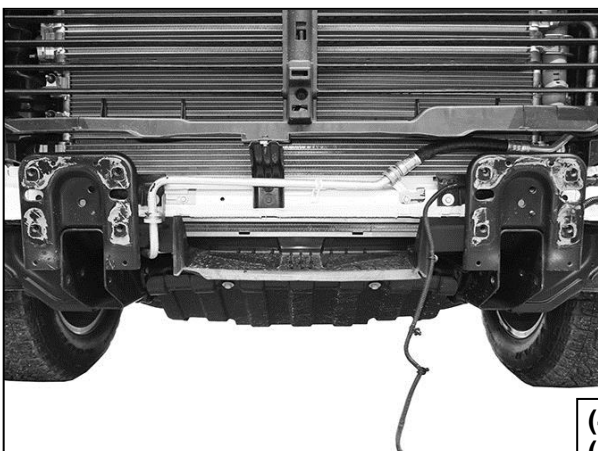
(Fig 10) From above, remove the hex bolts attaching the bumper assembly to the frame bumper brackets (top visible-arrow)



(Fig 11) Remove tow hooks, (if equipped) after bumper has been removed

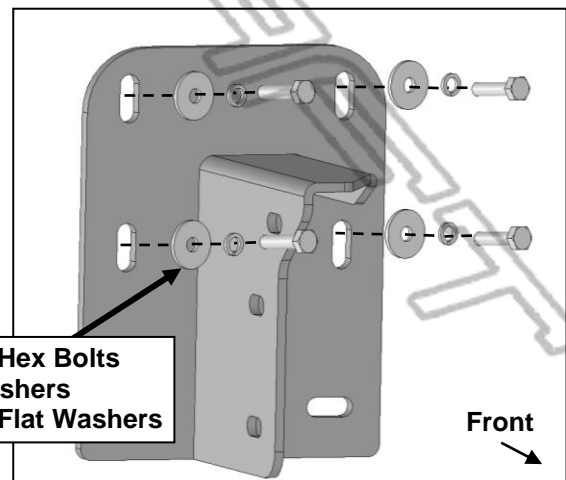


(Fig 12) Remove bumper brackets and shutter assembly (arrow) if equipped



(Fig 13) Exposed vehicle frame with everything removed

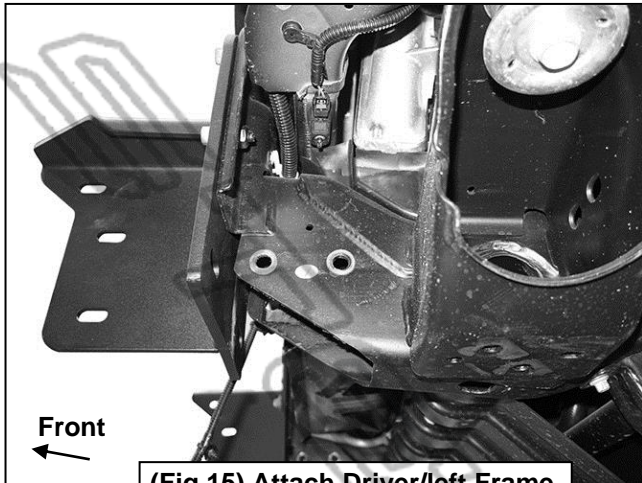
- (4) 10mm x 40mm Hex Bolts
- (4) 10mm Lock Washers
- (4) 10mm x 34mm Flat Washers



(Fig 14) Attach Driver/left Frame Bracket to end of frame

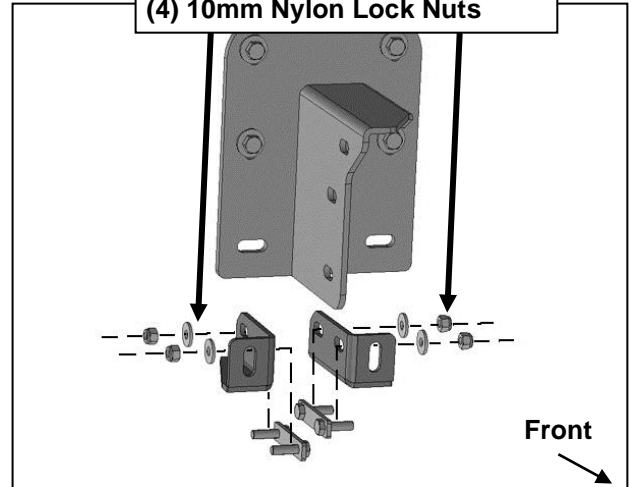


Driver/left Side Installation Pictured



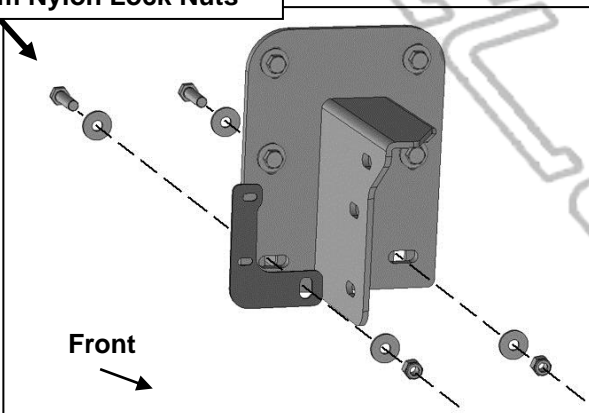
(Fig 15) Attach Driver/left Frame Bracket to end of frame

- (2) 10mm Double Bolt Plates
- (4) 10mm x 27mm Flat Washers
- (4) 10mm Nylon Lock Nuts

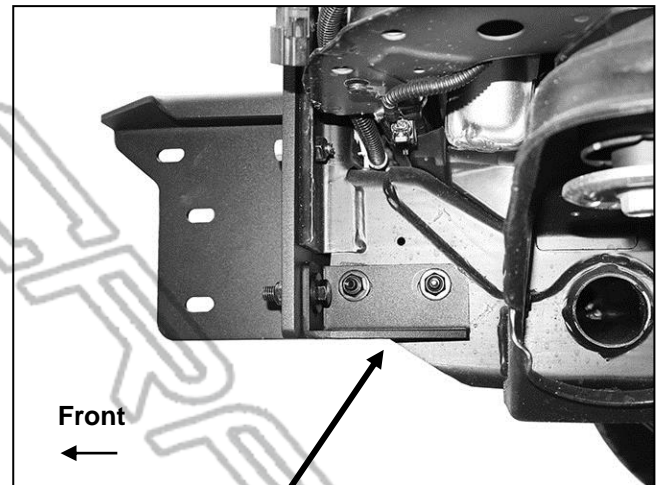


(Fig 16) Attach (1) Left Facing and (1) Right Facing Support Bracket to the sides of the frame

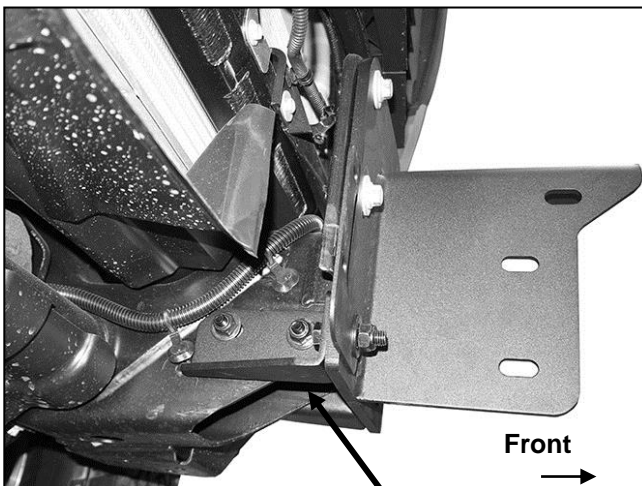
- (2) 12mm x 50mm Hex Bolts
- (4) 12mm Flat Washers
- (2) 12mm Nylon Lock Nuts



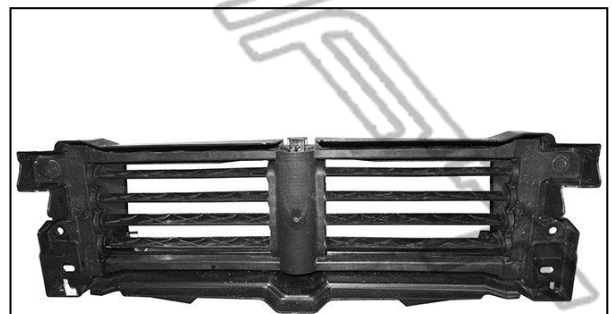
(Fig 17) Attach the Support Brackets to the bottom slots in the driver/left Frame Bracket. Models with shutter assembly, attach "L" Relocation Bracket to bottom inner mounting location (also see Figure 21)



(Fig 18) Left facing Support Bracket installed



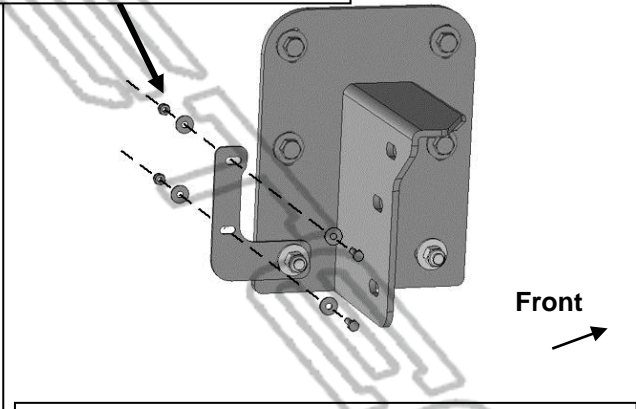
(Fig 19) Right facing Support Bracket installed



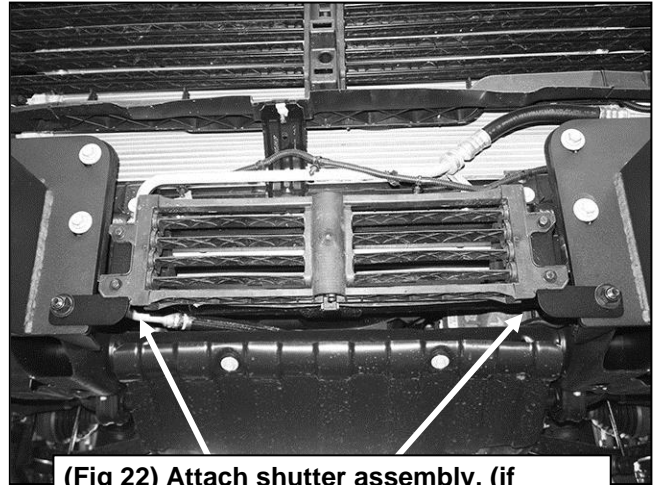
(Fig 20) Remove inner shutter assembly from plastic outer housing (if equipped)

Driver/left Side Installation Pictured

- (2) 6mm x 20mm Hex Bolts
- (4) 6mm Flat Washers
- (2) 6mm Nylon Lock Nuts

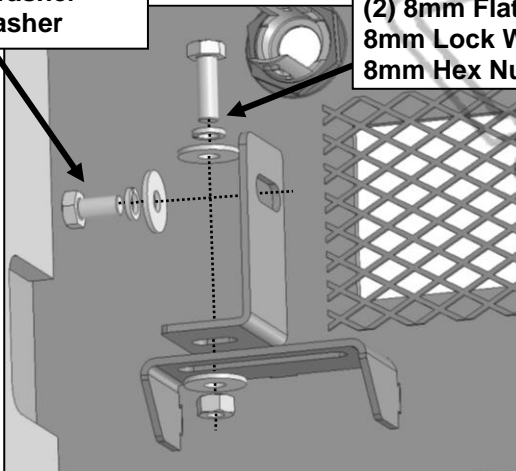


(Fig 21) Attach "L" Relocation Brackets to front of Frame Brackets. Attach shutter assembly, (if equipped), to front of Relocation Brackets



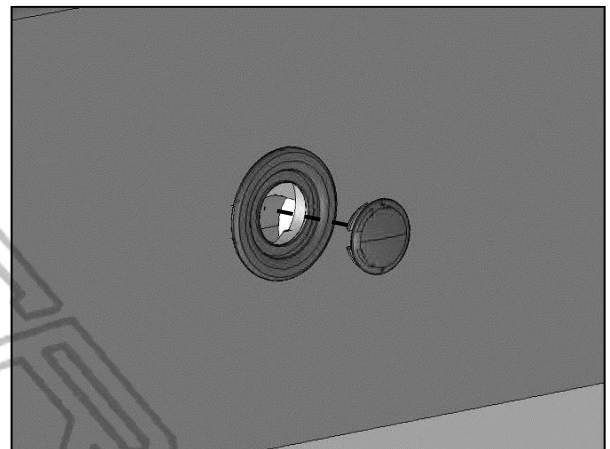
(Fig 22) Attach shutter assembly, (if equipped), to front of Relocation Brackets

- 8mm x 16mm Hex Bolt
- 8mm Lock Washer
- 8mm Flat Washer

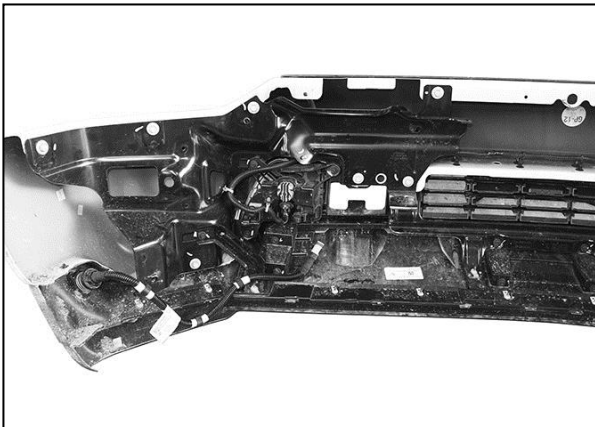


(Fig 23) Universal LED Brackets (light not included)

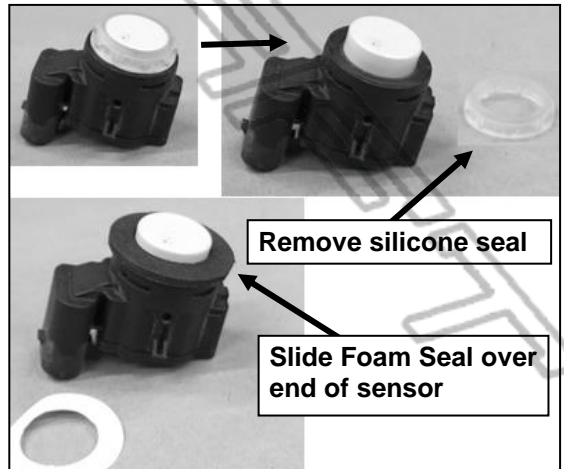
- 8mm x 25mm Hex Bolt
- (2) 8mm Flat Washers
- 8mm Lock Washer
- 8mm Hex Nut



(Fig 24) Models without sensors, push Plastic Plugs into mounts on front of bumper



(Fig 25) Disassemble bumper and remove fog lights, sensors and wiring harness as equipped



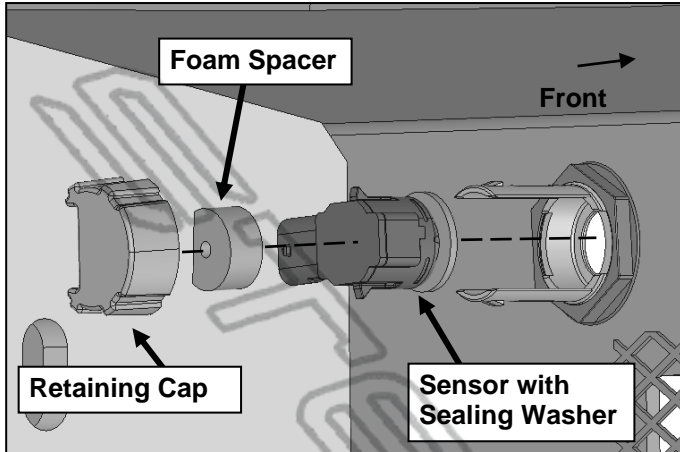
(Fig 26) Remove silicone seal from sensor. Slide large Seal over end of sensor (arrow)



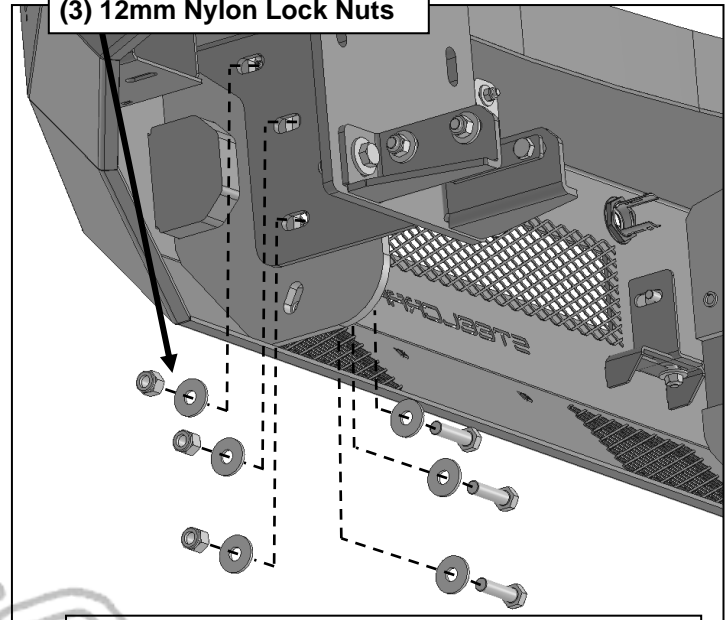
Driver/left Side Installation Pictured

**WARNING!** Do not crawl under bumper unless it is properly supported on blocks or stands or the bumper may fall.

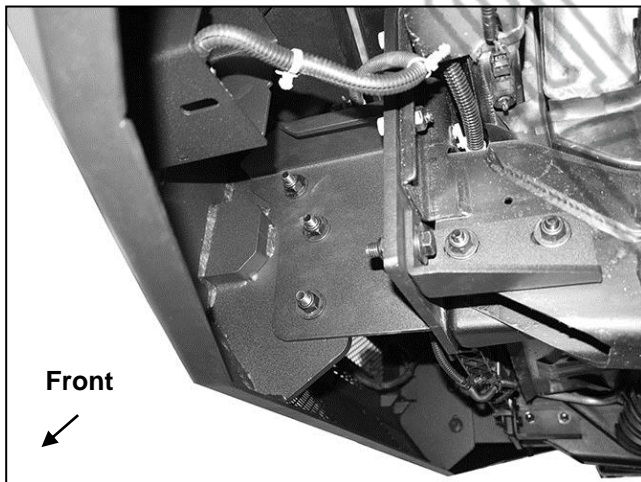
- (3) 12mm x 50mm Hex Bolts
- (6) 12mm Flat Washers
- (3) 12mm Nylon Lock Nuts



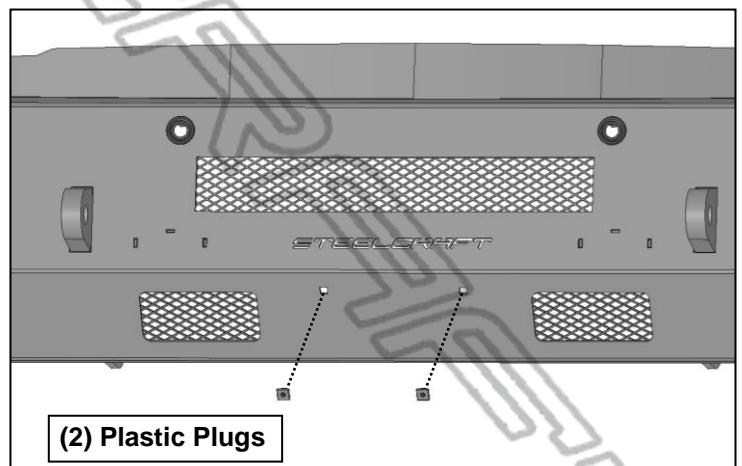
(Fig 27) Insert sensor with Sealing Washer into mount on back of Bumper followed by Spacer and Retaining Cap



(Fig 28) Attach the Bumper to Frame Brackets

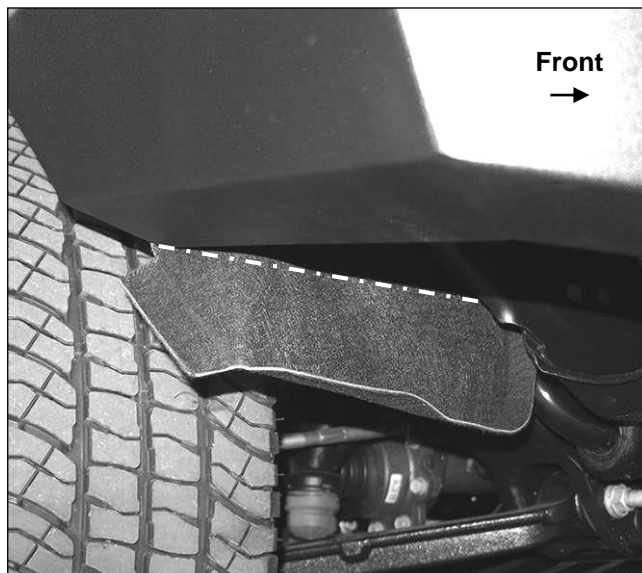


(Fig 29) Driver/left side of Bumper attached.



- (2) Plastic Plugs

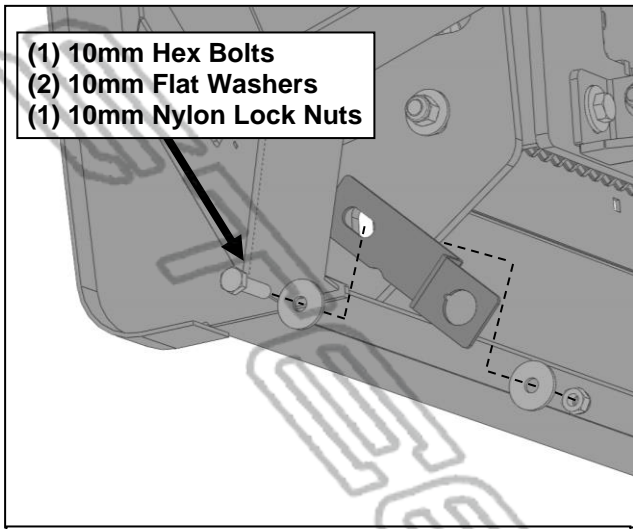
(Fig 30) Attach License Plate to Bumper



(Fig 31) Trim OE fender liner flush with bottom of bumper



**FORTIS FRONT BUMPER  
2024 CHEVY SILVERADO 25-3500**



**(Fig 32) Engine block heater bracket relocation example**

