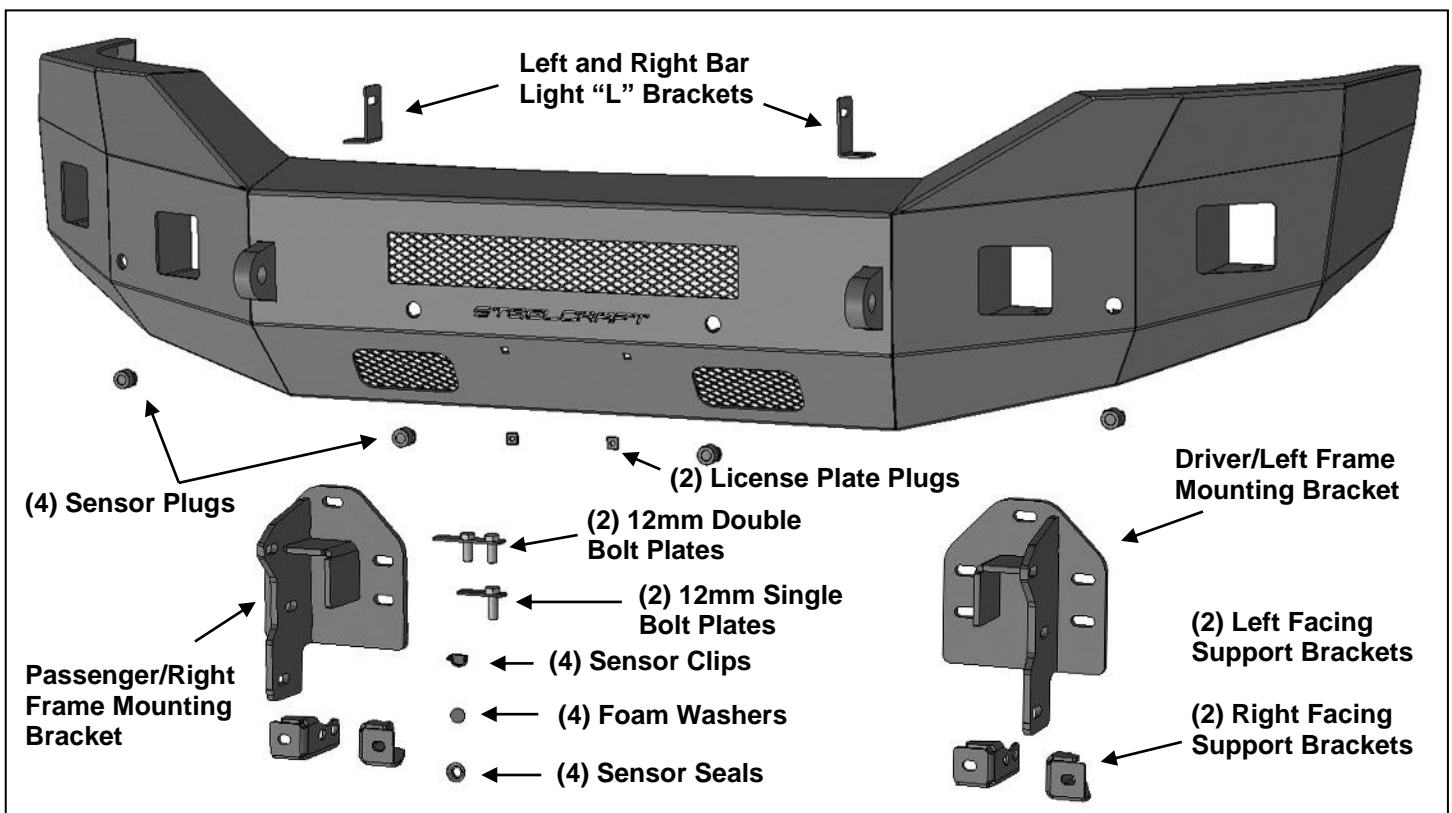


INSTALLATION INSTRUCTIONS

**FORTIS FRONT BUMPER
2016-18 GMC SIERRA 1500**

PARTS LIST:

1	Fortis Front Bumper Assembly	2	12mm Single Bolt Plates
1	Driver/left Frame Mounting Bracket	2	12mm Double Bolt Plates
1	Passenger/right Frame Mounting Bracket	10	12-1.75mm x 50mm Hex Bolts
2	Left Support Brackets	26	12mm x 32mm OD x 3mm Flat Washers
2	Right Support Brackets	16	12mm Lock Washers
1	Driver/left LED light bracket	16	12mm Hex Nuts
1	Passenger/right LED light bracket	2	8-1.25mm x 25mm Hex Bolts
2	Plastic Plugs for License Plate	2	8-1.25mm x 16mm Hex Bolt
4	Sensor Seals	6	8mm x 24mm x 2mm Flat Washer
4	20mm x 2mm Foam Pads	4	8mm Lock Washers
4	Sensor Retaining Clips	2	8mm Hex Nuts
1	Sensor Cover Kit	8	4mm x 10mm Socket Head Screws
4	Rubber Sensor Hole Plugs	1	2.5mm Wrench



PROCEDURE:

REMOVE CONTENTS FROM BOX. VERIFY ALL PARTS ARE PRESENT. READ INSTRUCTIONS CAREFULLY BEFORE STARTING INSTALLATION. BUMPER IS HEAVY, ASSISTANCE IS HIGHLY RECOMMENDED TO AVOID POSSIBLE INJURY OR DAMAGE TO THE VEHICLE.

1. Remove the license plate and bracket. Move to the front of the passenger/right wheel opening. Remove the screws attaching front portion of the plastic fender flare to the fender, **(Figure 1)**. Also remove the push in clip and screws attaching the forward end of the fender liner. **NOTE:** Fender flare and liner do not need to be removed, only release the front half of the flare and liner to access the hardware attaching the plastic fascia body panel.
2. Carefully pull the fender flare straight out to release it from the clips, **(Figure 2)**. Locate and remove the small hex bolt from the opening behind the flare, **(Figure 3)**. Carefully pull the plastic body panel, (fascia), out from the fender and below the headlight.
3. Repeat **Steps 1 & 2** to release the driver/left side of the fascia body panel.

**FORTIS FRONT BUMPER
2016-18 GMC SIERRA 1500**

4. Next, from behind the bumper, release the clips from the center of the fascia panel and remove the panel, **(Figure 4)**.
5. On models with factory fog lights and/or bumper mounted sensors, unplug the wiring harness leading to the bumper, **(Figure 5)**. Move all wiring harnesses away from bumper.
6. Open the hood and remove the cover between the top of the radiator and the grille, **(Figure 6)**. Remove the bolts attaching the grille to the cross member and carefully remove the grille, **(Figure 7)**.
7. Remove the bumper supports from the outside of the frame to each end of the bumper, **(Figure 8)**.
8. Place blocks or jack stands under the front bumper to support it during mounting bolt removal. Once the bumper has been safely supported, from above, remove the factory bumper bolts attaching the bumper to the inner bracket bolted to the end of the frame, **(Figure 9)**. **WARNING!** Assistance is required to hold the bumper in place during bolt removal to prevent the bumper from falling. Slide the bumper assembly off of the frame, **(Figure 10)**.
9. Reinstall the grille, fascia body panel and top cover, **(Figure 11)**. Reattach the fender flares and liners.
10. Remove both bumper brackets and tow hooks from the ends of the frame, **(Figure 11)**.
11. Select (1) Left Facing and (1) Right Facing Support Bracket, **(Figure 12)**. Starting on the driver/left side, attach the Left Facing Support Bracket to the inner facing side of the frame with (1) 12mm Double Bolt Plate, (2) 12mm Flat Washers, (2) 12mm Lock Washers and (2) 12mm Hex Nuts, **(Figures 12—15)**. Next, attach (1) Right Facing Support Bracket to the outer facing side of the frame with (1) 12mm Single Bolt Plate, (1) 12mm Flat Washer, (1) 12mm Lock Washer and (1) 12mm Hex Nut, **(Figures 12, 14 & 15)**. Do not tighten hardware at this time.
12. Select the driver/left Frame Mounting Bracket. Reuse the (3) factory bumper bolts to attach the top of the Bracket to the threaded bumper mounts, **(Figures 16 & 17)**. Attach the (2) lower holes in the Bracket to the (2) previously installed Support Brackets with (2) 12mm x 50mm Hex Bolts, (4) 12mm Flat Washers, (2) 12mm Lock Washers and (2) 12mm Hex Nuts, **(Figures 16 & 17)**. Snug but do not fully tighten hardware.
13. Repeat **Steps 11 and 12** to install the passenger/right Support and Frame Brackets, **(Figure 18)**.
14. **Optional Center LED light installation** (light sold separately). **NOTE:** It may be easier to install Light before attaching Bumper to Brackets.
 - a. Select the L/R “L” Brackets, **(Figure 19)**. **NOTE:** “L” Brackets are offset for universal fitment for most LED bar style lights. Attach the LED light assembly to the “L” Brackets with the included (2) 8mm x 16mm Hex Bolts, (2) 8mm Lock Washers and (2) 8mm Flat Washers. Do not fully tighten hardware at this time. **NOTE:** “L” Brackets may require modification for hardware larger than 8mm or use brackets supplied with light if possible.
 - b. Attach the light and brackets to the top of the (2) tabs on the back of the Bumper with the included 8mm x 25mm Hex Bolts, (4) 8mm Flat Washers, (2) 8mm Lock Washers and (2) 8mm Hex Nuts, **(Figure 19)**. Adjust light position and tighten hardware.
 - c. Follow light manufacturer’s instructions to wire the light once Bumper has been fully installed.
15. **Determine if the vehicle is equipped with bumper mounted parking sensors.**

Models without bumper sensors:

 - a. Select the included (4) Rubber Plugs.
 - b. From behind bumper, push plugs into sensor mounting holes, **(Figure 20)**. **NOTE:** 4mm screws have been included to help lock plugs in the sleeves-use is optional.

Models with bumper mounted sensors:

 - a. Remove factory wiring harness and sensors from bumper, **(Figure 21)**.
 - b. Remove the silicone seal from the end of the sensor. Slide the included larger Sensor Seal over front of sensor, **(Figure 22)**.
 - c. Insert sensor with Seal into sensor mount on back of Bumper, **(Figure 23)**.
 - d. Place Foam Washer over end of sensor. Push Sensor Retaining Clip into sensor mount and lock into mounting holes, **(Figure 23)**.
 - e. Repeat previous **Steps** to install remaining sensors.
 - f. Install factory wiring harness for sensors and plug harness into sensors. **NOTE:** It may be necessary to remove or unwrap some of the outer loom to extend the harness to reach all sensors.
 - g. **Optional:** Secure each sensor to the socket with the included (2) 4mm x 10mm Button Head Screws. **IMPORTANT:** Sensors fit snug in sockets. The 4mm Screws are used to apply slight

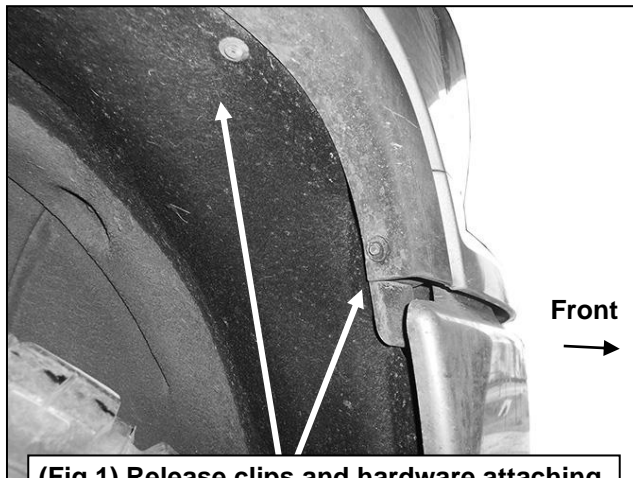
**FORTIS FRONT BUMPER
2016-18 GMC SIERRA 1500**

pressure to lock the sensors in place or aim sensors. Tighten both screws evenly until they touch the sensor body only. Do not overtighten screws or damage to sensors will result.

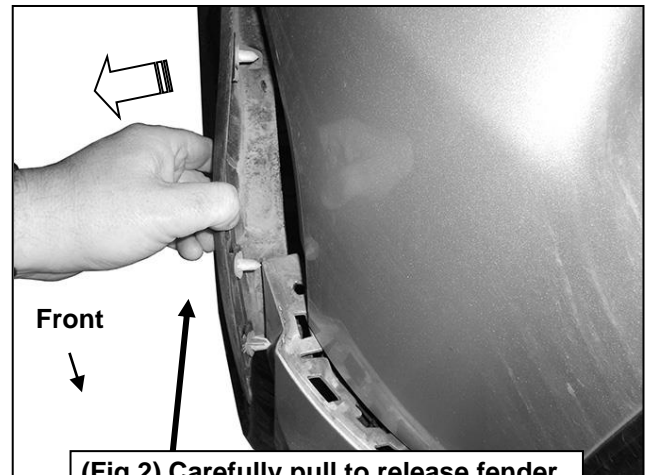
16. With assistance, carefully position the Bumper Assembly up to the outside of the Mounting Brackets. Temporarily support the weight of the Bumper. **WARNING:** To avoid possible injury or damage to the vehicle, do not proceed until the Bumper is fully and safely supported.
17. Line up the (3) holes in the driver/left side of the Bumper with the (3) holes in the Bracket, **(Figure 24)**. Attach the mounting plate on the back of the Bumper to the Bracket with the included (3) 12mm x 50mm Hex Bolts, (6) 12mm Flat Washers, (3) 12mm Lock Washers and (3) 12mm Hex Nuts, **(Figure 25)**. Do not fully tighten hardware at this time. Repeat this **Step** to attach the passenger/right side of the Bumper to the Bracket.
18. Level and adjust the bumper and fully tighten all 12mm hardware to 65-70ft-lbs.
19. Use the included (2) push-in Plastic Plugs to attach the front license plate, (if required), to the (2) square holes in the center of the Bumper, **(Figure 25)**.
20. Do periodic inspections to the installation to make sure that all hardware is secure and tight.

To protect your investment, Do not use any type of polish or wax that may contain abrasives that could damage the finish. Mild soap may be used to clean the Heavy Duty Front Bumper assembly.

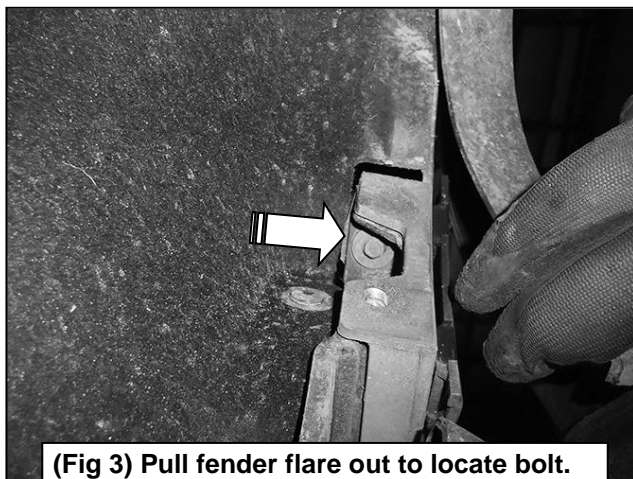
Passenger/right Installation Pictured



(Fig 1) Release clips and hardware attaching fender liner and front end of flare (arrows)

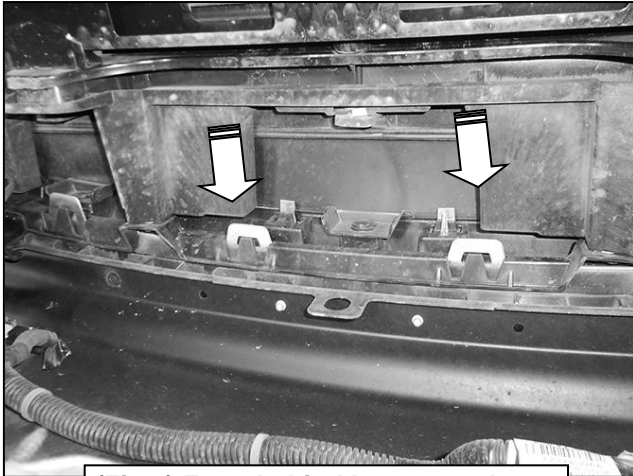


(Fig 2) Carefully pull to release fender flare and to remove fascia (arrow)

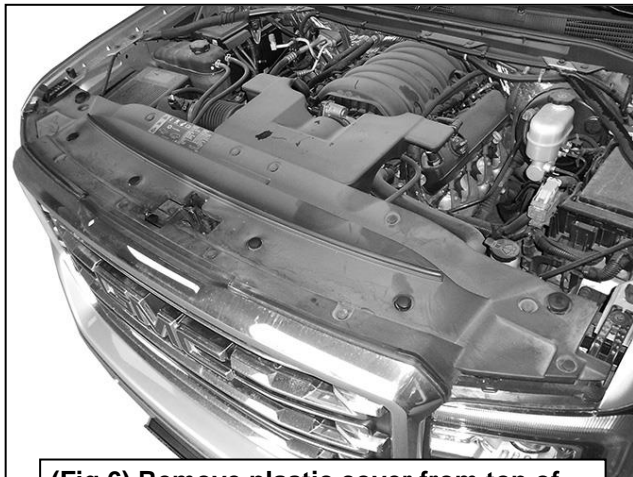


(Fig 3) Pull fender flare out to locate bolt. Remove bolt to release fascia body panel

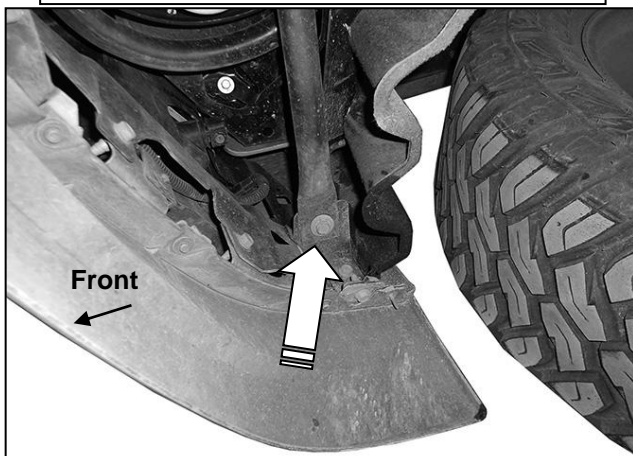
Passenger/right Installation Pictured



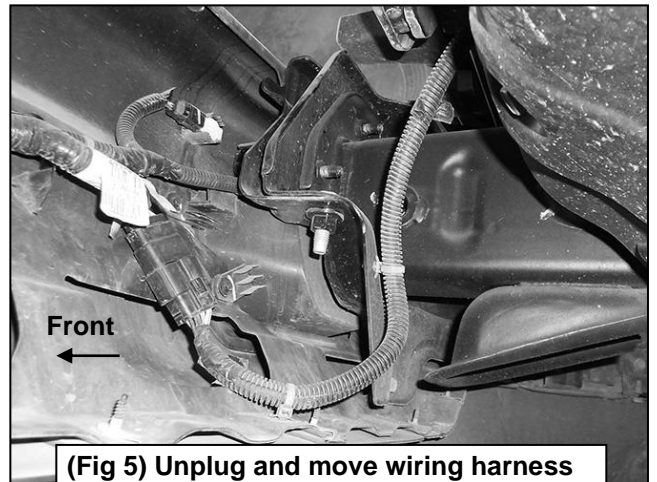
(Fig 4) From behind bumper, release clips attaching plastic fascia panel (arrows) to center-top of bumper



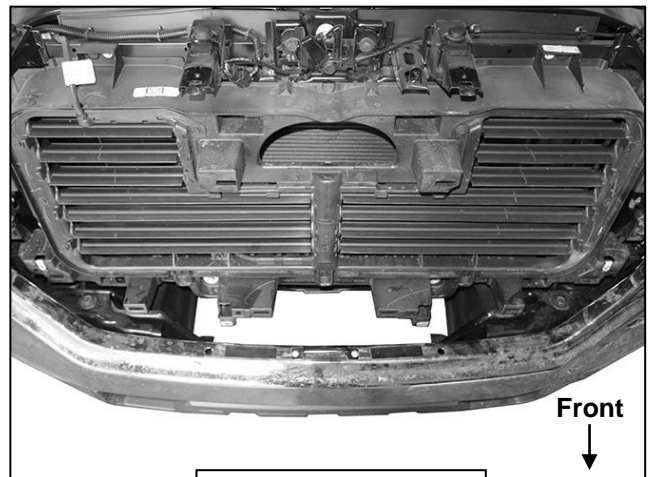
(Fig 6) Remove plastic cover from top of radiator (arrow). Temporarily remove grille



(Fig 8) Remove outer bumper supports (arrow)



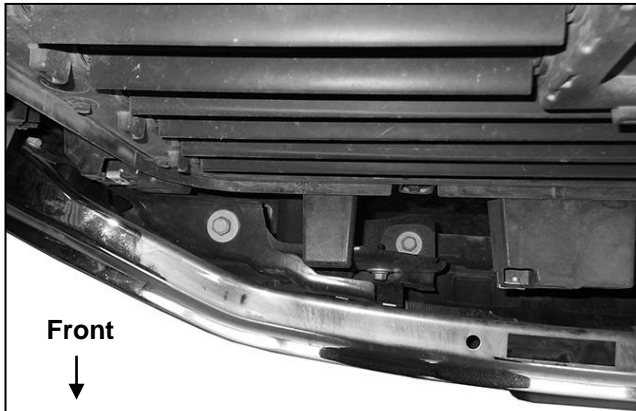
(Fig 5) Unplug and move wiring harness away from bumper before removal



(Fig 7) Remove grille

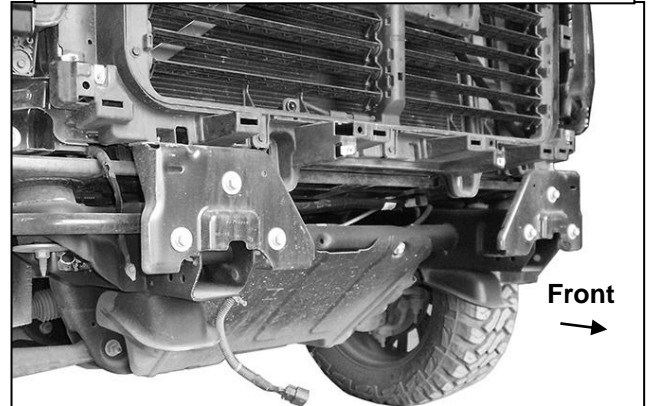
WARNING! Do not crawl under bumper or remove bumper bolts unless the bumper is properly supported on blocks or stands or the bumper may fall.

Passenger/right Installation Pictured



(Fig 9) Remove hex bolts from above (arrow) and below to remove bumper assembly

WARNING! Do not crawl under bumper or remove bumper bolts unless the bumper is properly supported on blocks or stands or the bumper may fall.



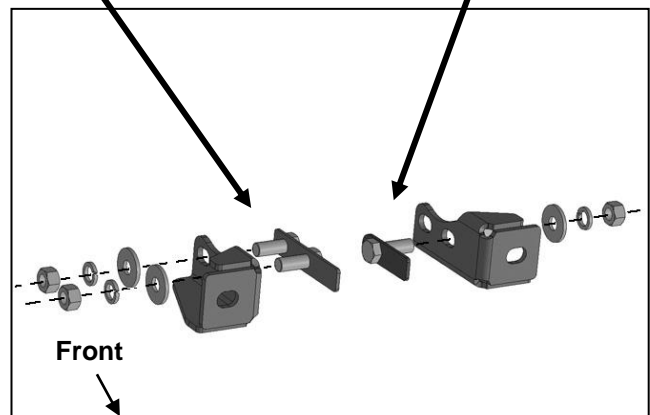
(Fig 10) Remove bumper brackets and tow hooks if equipped



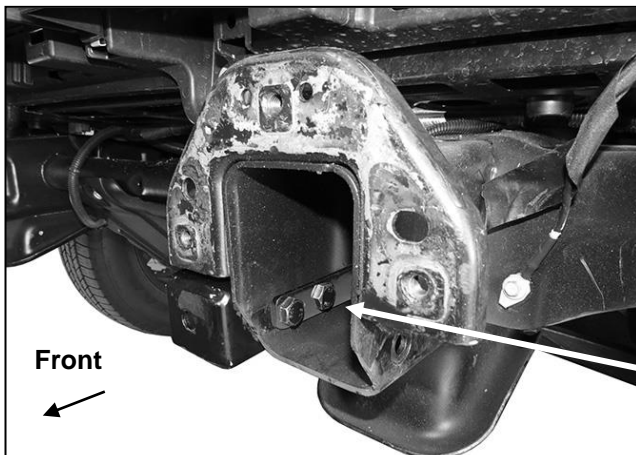
(Fig 11) Remove bumper brackets and tow hooks, reinstall plastic grille and fascia panel

- 12mm Double Bolt Plate
- (2) 12mm Flat Washers
- (2) 12mm Lock Washers
- (2) 12mm Hex Nuts

- 12mm Single Bolt Plate
- 12mm Flat Washer
- 12mm Lock Washer
- 12mm Hex Nut



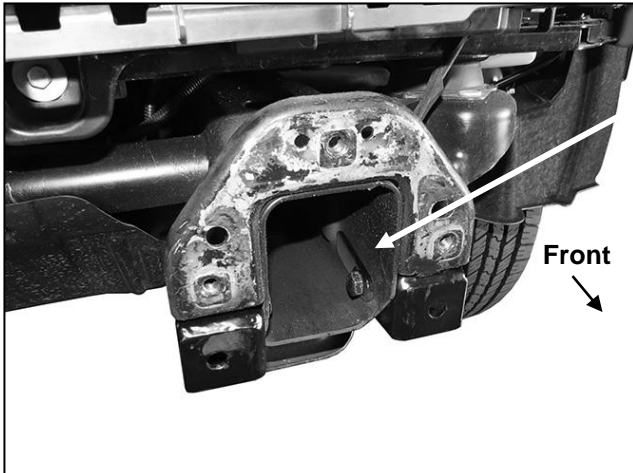
(Fig 12) Attach Support Brackets to frame



(Fig 13) Attach Support Brackets to frame using factory holes for tow hooks. Driver side pictured

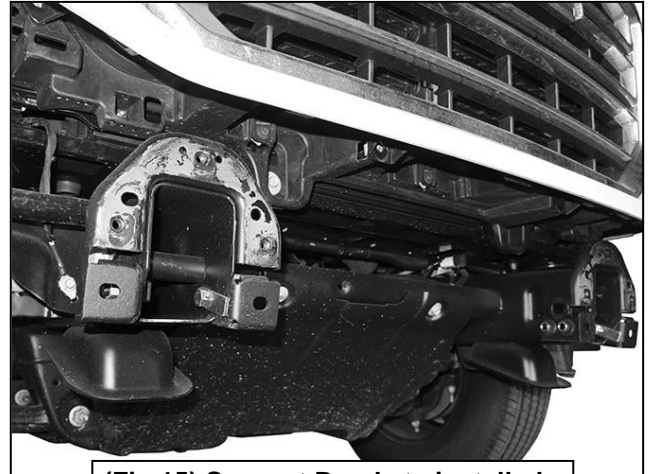
- 12mm Double Bolt Plate
- (2) 12mm Flat Washers
- (2) 12mm Lock Washers
- (2) 12mm Hex Nuts

Passenger/right Installation Pictured



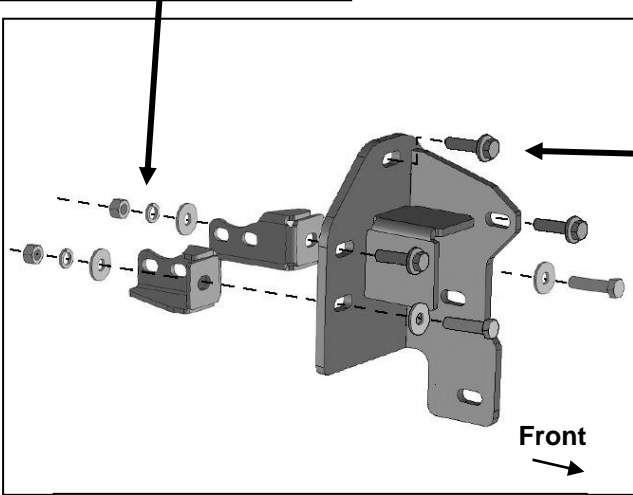
- 12mm Single Bolt Plate
- 12mm Flat Washer
- 12mm Lock Washer
- 12mm Hex Nut

(Fig 14) Attach Support Brackets to frame using factory holes for tow hooks. Driver side pictured



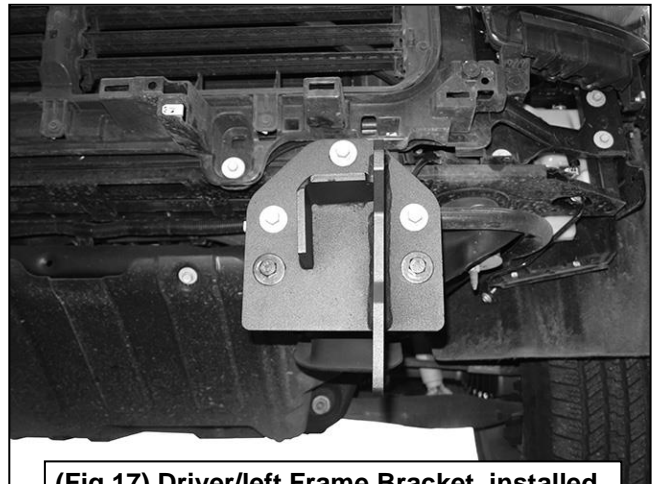
(Fig 15) Support Brackets installed

- (2) 12mm x 50mm Hex Bolts
- (4) 12mm Flat Washers
- (2) 12mm Lock Washers
- (2) 12mm Hex Nuts



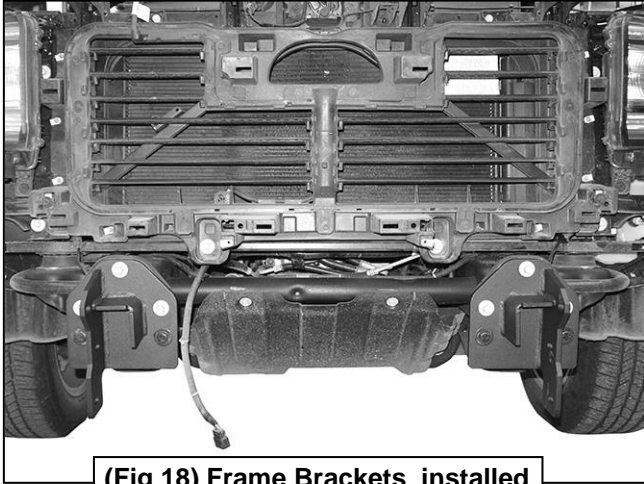
Reuse Factory bumper bolts to attach top of Frame Bracket to end of frame

(Fig 16) Attach driver/left Frame Bracket to end of frame and Support Brackets

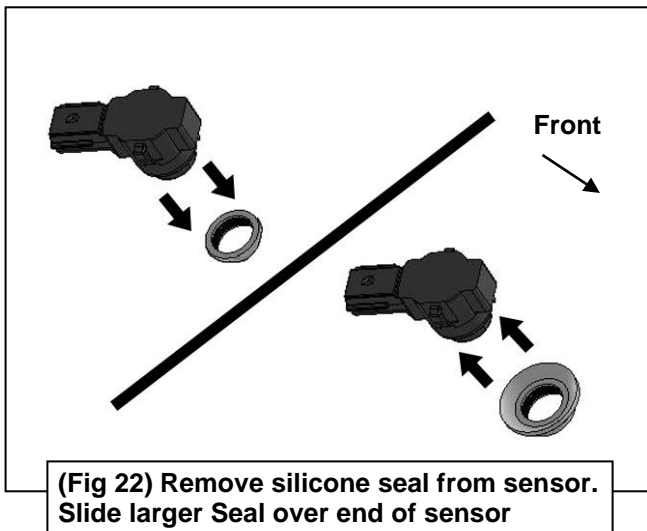
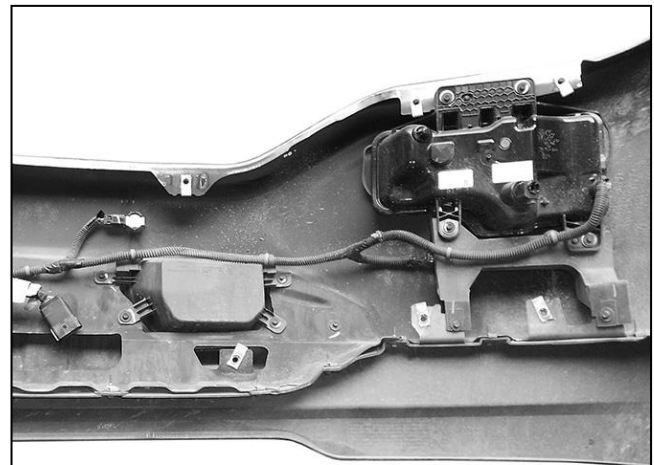
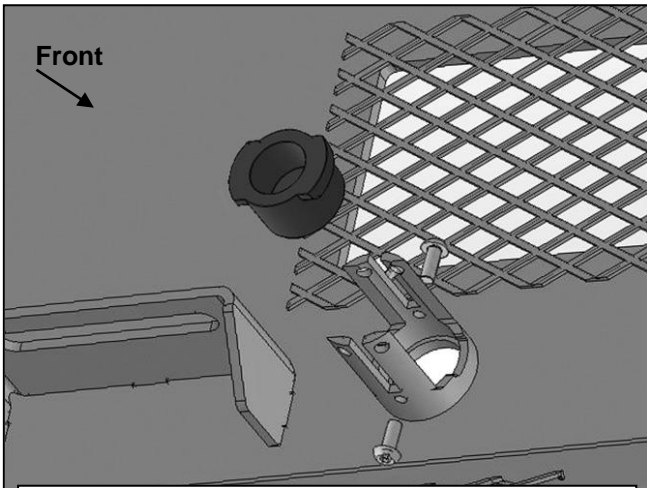
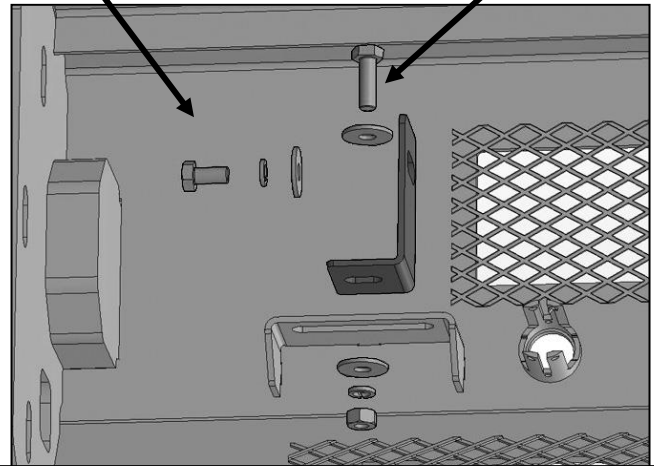


(Fig 17) Driver/left Frame Bracket installed

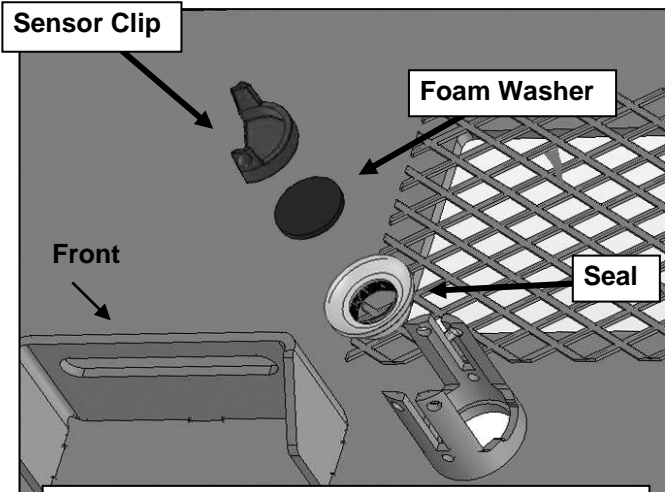
**FORTIS FRONT BUMPER
2016-18 GMC SIERRA 1500**



- 8mm x 16mm Hex Bolt
8mm Lock Washer
8mm Flat Washer
- 8mm x 25mm Hex Bolt
(2) 8mm Flat Washers
8mm Lock Washer
8mm Hex Nut



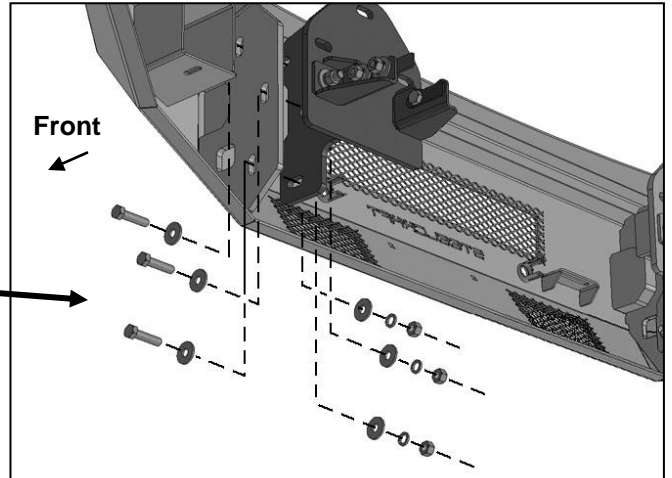
Passenger/right Installation Pictured



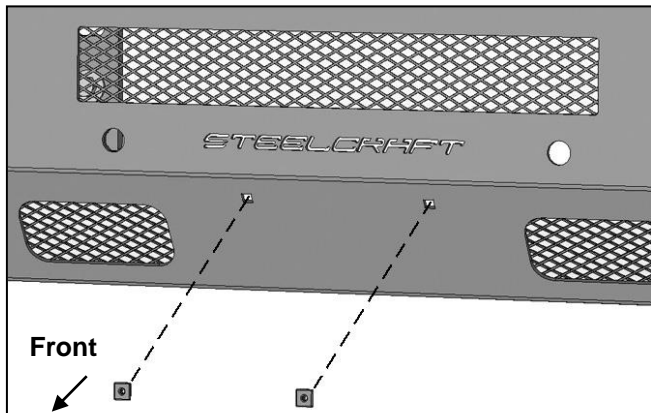
(Fig 23) Slide sensor into sleeve, insert Foam Washer and Clip to lock sensor in sleeve

- (3) 12mm x 50mm Hex Bolts
- (6) 12mm Flat Washers
- (3) 12mm Lock Washers
- (3) 12mm Hex Nuts

WARNING! Do not crawl under bumper unless the bumper is properly supported on blocks or stands or the bumper may fall.



(Fig 24) Attach driver/left side of Bumper to Bracket



(Fig 25) Push plastic plugs into upper or lower holes in Bumper for license plate if required

