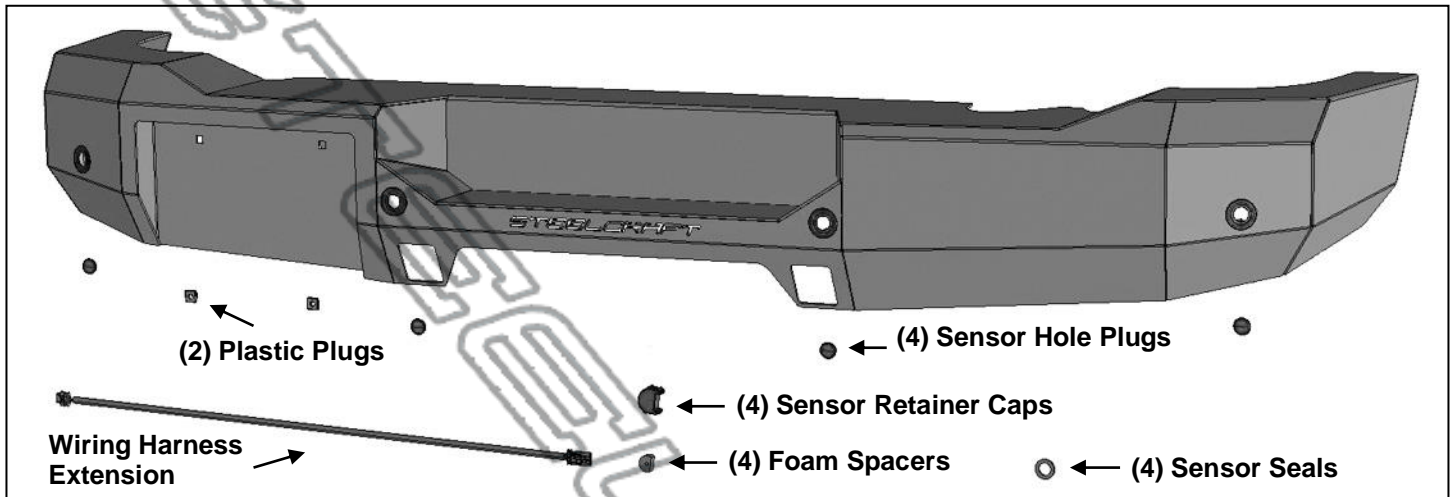


**STEELCRAFT FORTIS REAR BUMPER  
2021 FORD BRONCO**

**PARTS LIST:**

1	Fortis Rear Bumper	2	Plastic Plugs for License Plate
4	Sensor Retaining Caps	2	12-1.75mm x 45mm Hex Bolts
4	20mm x 10mm Foam Spacers	4	12mm x 32mm x 3mm Flat Washers
4	15.5mm x 25mm x 2mm Foam Washer	2	12mm Lock Washers
4	Plastic Sensor Hole Plugs	2	12-1.75mm Hex Nuts
1	Wire Harness Extension	8	4mm Self Tapping Screws
1	Sensor Cover Kit		



**PROCEDURE:**

**REMOVE CONTENTS FROM BOX AND VERIFY ALL PARTS ARE PRESENT. READ INSTRUCTIONS CAREFULLY. ASSISTANCE IS RECOMMENDED.**

1. Start installation from under the driver/left rear of the vehicle. Unplug the wiring harness leading to the bumper, **(Figure 1)**. Repeat this Step to unplug the harness on the passenger/right side of the bumper.
2. Remove the factory hex bolts attaching the bumper assembly to the side of the body mounts and the bottom of the frame and tow hooks, **(Figures 2 & 3)**. **NOTE:** Use assistance to hold the bumper in place while removing the mounting bolts.
3. Disassemble the bumper to remove the license plate lights, wiring harness and sensors if equipped, **(Figure 4)**. Note the location of all sensors for proper reinstallation.
4. Determine if vehicle is equipped with parking sensors.

**Models without parking sensors:**

- a. From the front of the bumper, push the included Plastic Plugs into the Sensor Mounts, **(Figure 5)**.

**Models with parking sensors:**

- a. Select the driver/left side outer sensor.
- b. Remove the silicone seal from the end of the sensor, **(Figure 6)**. Slide the included larger Sensor Seal over front of sensor.
- c. Insert sensor with Seal into sensor mount on back of Bumper, **(Figure 7)**.
- d. Place Foam Spacer over end of sensor. Push Sensor Retaining Cap onto sensor mount and lock into mounting holes, **(Figure 7)**.
- e. Repeat previous Steps to install remaining sensors.
- f. Install the factory wiring harness and plug into sensors. Use the included Wiring Harness Extension to reach sensor as required. Attach harness to back of Bumper.

5. Snap license plate lights into openings in Bumper. Plug harness into license plate lights, **(Figure 8)**.

6. Determine if cube style accessory lights will be installed. **NOTE:** Lights not included.

**Light installation:**

- a. Attach lights to tabs at top of square openings in Bumper.
7. With assistance, hold the Bumper assembly up to the end of the frame. Reuse the (2) factory hex bolts to attach the driver/left end of the Bumper to the bottom of the frame, between the tow hook and the frame,

**STEELCRAFT FORTIS REAR BUMPER  
2021 FORD BRONCO**

**(Figure 9).** Attach the tab on the Bumper to the side of the body mount with the included (1) 12mm x 45mm Hex Bolt, (2) 12mm Flat Washers, (1) 12mm Lock Washer and (1) 12mm Hex Nut, **(Figures 9—10).** Repeat this **Step** to attach the passenger/right side of the Bumper.

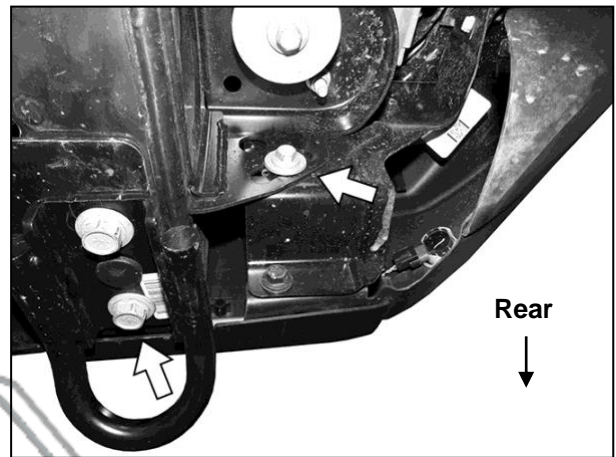
8. Center the Bumper to the vehicle and fully tighten all hardware.
9. Snap the included (2) Plastic Plugs into the square holes in the Bumper, **(Figure 11).** Reuse the factory screws to attach the license plate to the Plugs.
10. Plug the Bumper wiring harness into the main vehicle harness.
11. Do periodic inspections to the installation to make sure that all hardware is secure and tight.

**To protect your investment,** do not use any type of polish or wax that may contain abrasives that could damage the finish. Mild soap may be used to clean the Bumper.

**Driver/left Side Installation Pictured**



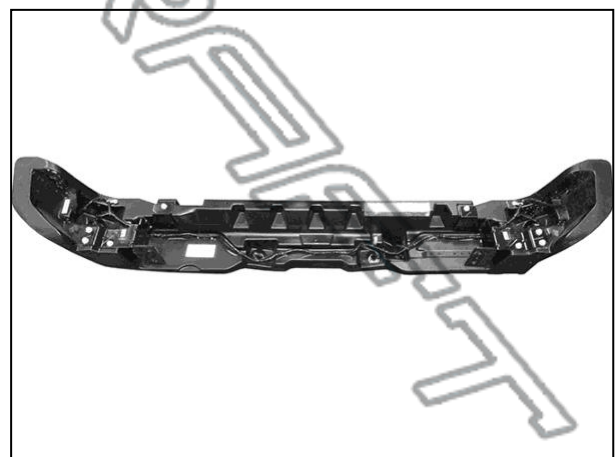
**(Fig 1) Unplug all wiring harnesses leading to the rear bumper, (arrow-driver/left side pictured after bumper removal )**



**(Fig 2) Remove hex bolts attaching driver/left side bumper brackets to bottom of frame and side of body mount (arrows)**

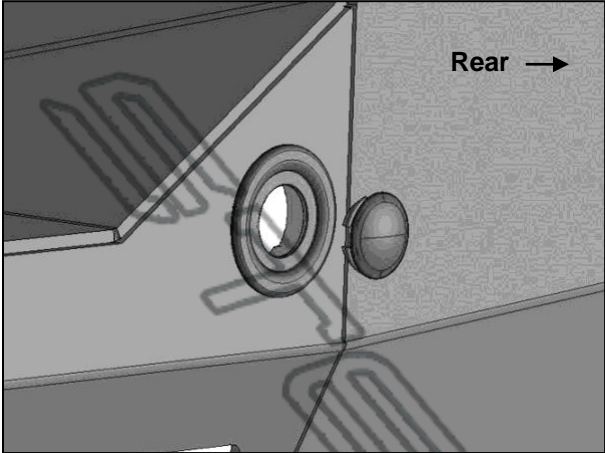


**(Fig 3) Remove bumper assembly**

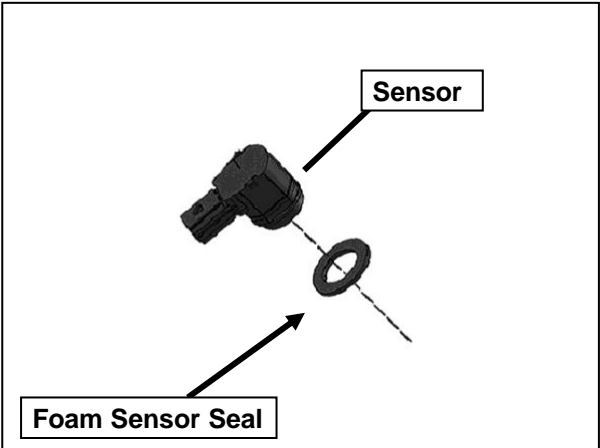


**(Fig 4) Disassemble bumper assembly to remove license plate lights, wiring harness and parking sensors as equipped**

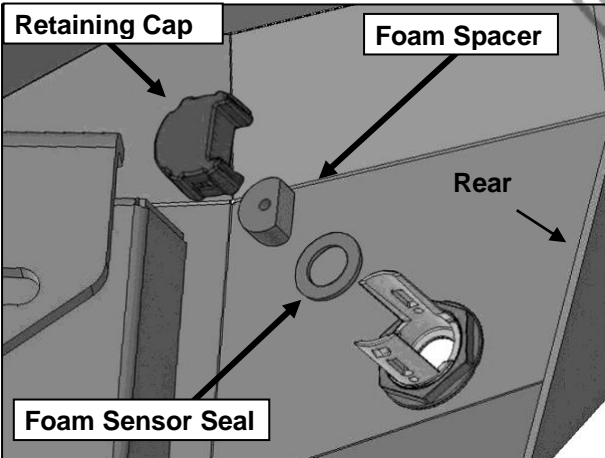
Driver/left Side Installation Pictured



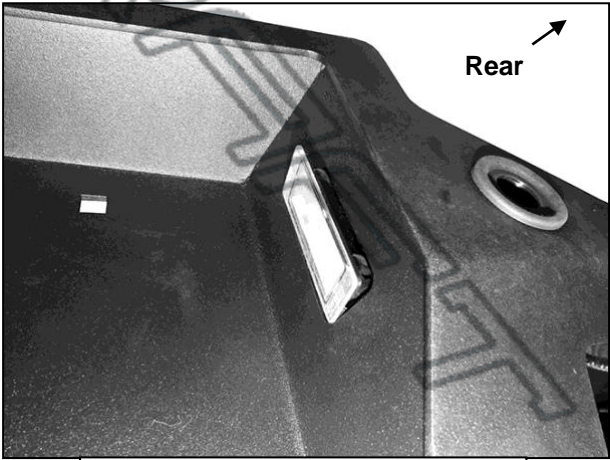
(Fig 5) Models without parking sensors, push the included Plugs into sensor mounts



(Fig 6) Remove factory seal from end of sensor. Push Foam Seal onto end of sensor



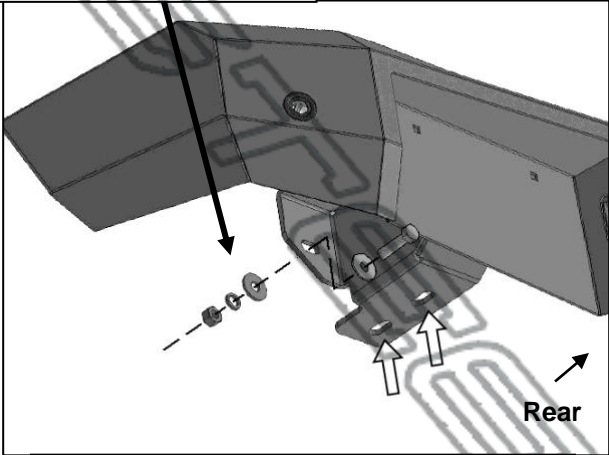
(Fig 7) Push sensor and Seal into back of Mount. Place Foam Spacer over sensor. Snap Retaining Cap onto sensor mount



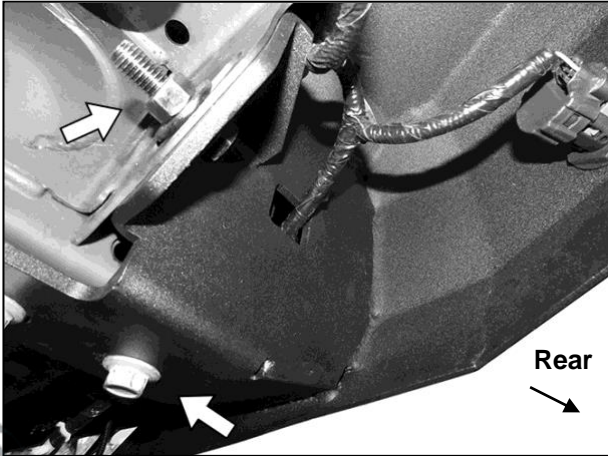
(Fig 8) Snap factory license plate lights into openings in Bumper

Driver/left Side Installation Pictured

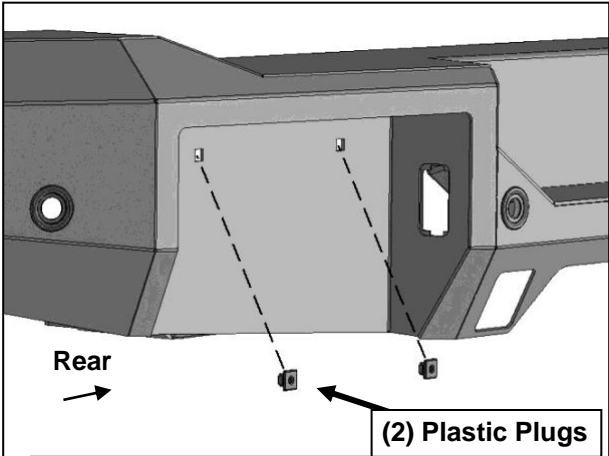
- 12mm x 45mm Hex Bolt
- (2) 12mm Flat Washers
- 12mm Lock Washer
- 12mm Hex Nut



(Fig 9) Reuse the (2) factory hex bolts to attach the driver/left side of the Bumper to the bottom of the frame (arrows)



(Fig 10) Driver/left side of Bumper attached to bottom of frame and side of body mount



(Fig 11) Push Plastic Plugs into square holes in Bumper for License Plate

