

INSTALLATION INSTRUCTIONS

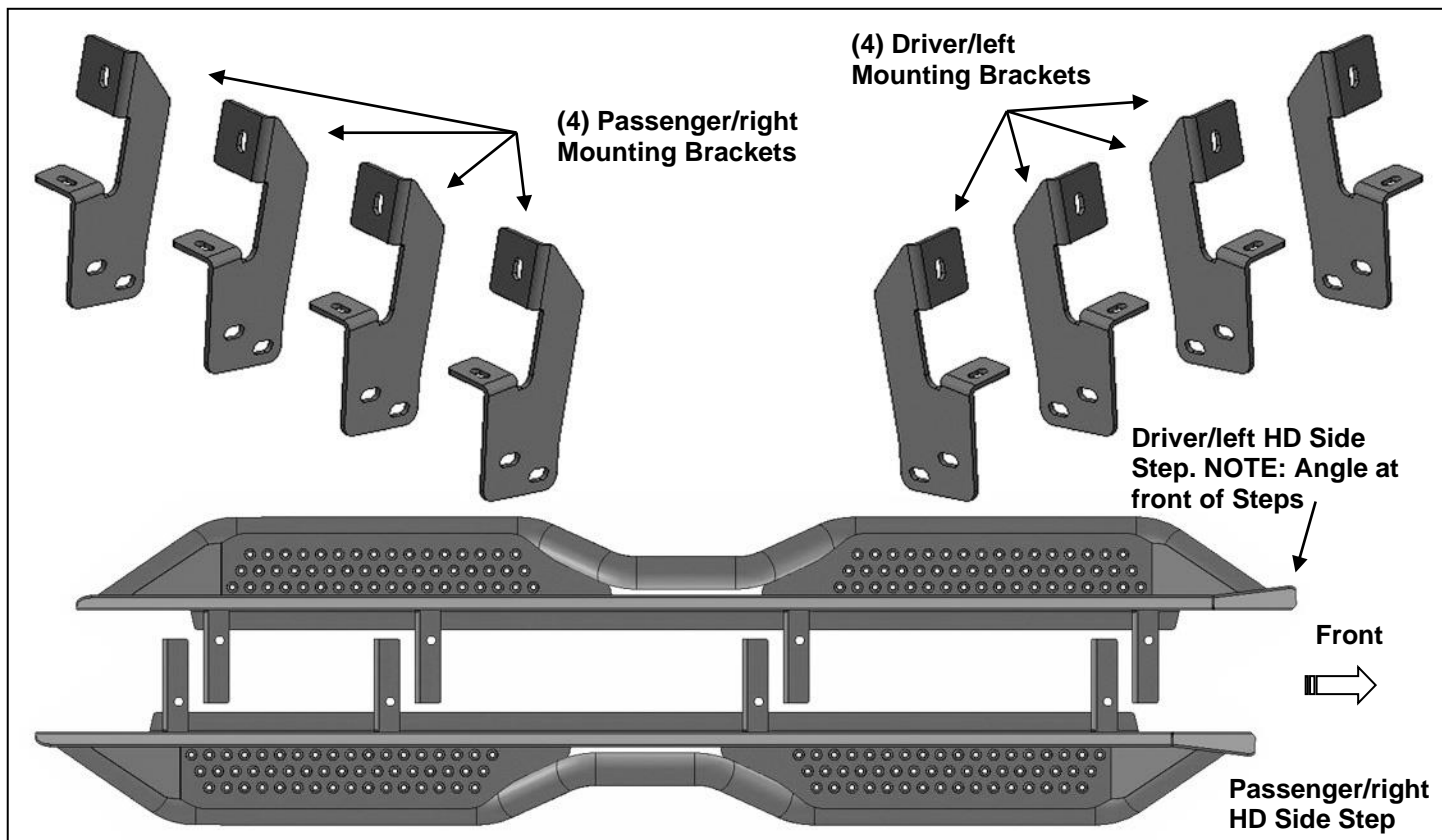
HD SIDE STEPS

**2019 CHEVY SILVERADO/GMC SIERRA 1500 DOUBLE CAB
EXCLUDES 2019 SILVERADO "LD" AND 2019 SIERRA "LIMITED"**

HD SIDE STEPS
2019 CHEVY SILVERADO/GMC SIERRA 1500 DOUBLE CAB
EXCLUDES 2019 SILVERADO "LD" AND 2019 SIERRA "LIMITED"

PARTS LIST:

1	Driver/left HD Side Step	32	10mm x 27mm x 3mm Flat Washers
1	Passenger/right HD Side Step	16	10mm Nylon Lock Nuts
4	Driver/left side Mounting Brackets	16	8-1.25mm x 30mm Hex Bolts
4	Passenger/right side Mounting Brackets	16	8mm Lock Washers
16	10-1.5mm x 35mm Hex Bolts	16	8mm x 24mm x 2mm Flat Washers



PROCEDURE:

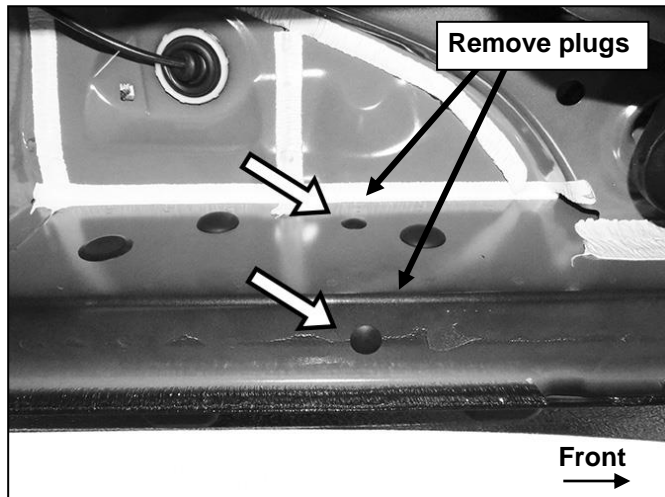
REMOVE CONTENTS FROM BOX. VERIFY ALL PARTS ARE PRESENT. READ INSTRUCTIONS CAREFULLY BEFORE STARTING INSTALLATION. ASSISTANCE IS RECOMMENDED.

1. Start the installation under the driver/left side of the vehicle. Locate the 4 plugs along the bottom edge of the body, **(Figures 1, 4 & 5)**. Remove the plastic plugs from each mounting location. Directly above each threaded hole is the top mounting location on the side of the body panel. Hold a Bracket up in place to help determine the correct mounting holes to use along the body. **NOTE:** Thread an 8mm Hex Bolt into the threaded holes to clear paint or undercoating as required before installing Brackets.
2. Select (1) Driver/left Mounting Bracket, **(Figure 2)**. Starting at the front of the driver/left side, attach the Bracket to the factory threaded holes with (2) 8mm Hex Bolts, (2) 8mm Lock Washers and (2) 8mm Flat Washers, **(Figure 3)**. Do not tighten hardware at this time.
3. Repeat **Steps 1 & 2** to attach the remaining (3) Driver/left Mounting Brackets to the #2, #3 and rear mounting locations along the body panel, **(Figures 4 & 5)**.
4. Carefully unwrap and select the Driver/left HD Side Step. Use the illustration above to help identify the correct HD Side Step.
5. Attach the HD Side Step to the front of the (4) Brackets with the included (8) 10mm Hex Bolts, (16) 10mm Flat Washers and (8) 10mm Nylon Lock Nuts, **(Figures 6—9)**. Leave hardware loose.
6. Level and adjust the HD Side Step as necessary and fully tighten all hardware.
7. Repeat **Steps 1—6** for Passenger/right side HD Side Step installation.
8. Do periodic inspections to the installation to make sure that all hardware is secure and tight.

HD SIDE STEPS
2019 CHEVY SILVERADO/GMC SIERRA 1500 DOUBLE CAB
EXCLUDES 2019 SILVERADO "LD" AND 2019 SIERRA "LIMITED"

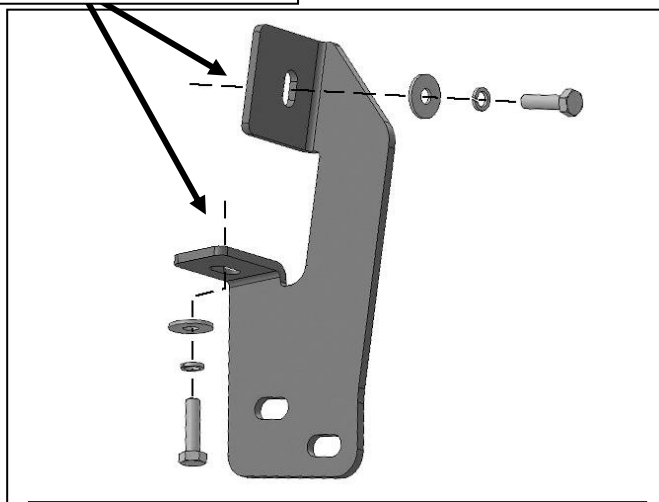
To protect your investment, Do not use any type of polish or wax that may contain abrasives that could damage the finish. Mild soap may be used also to clean the HD Side Step.

Driver/left side Installation Pictured

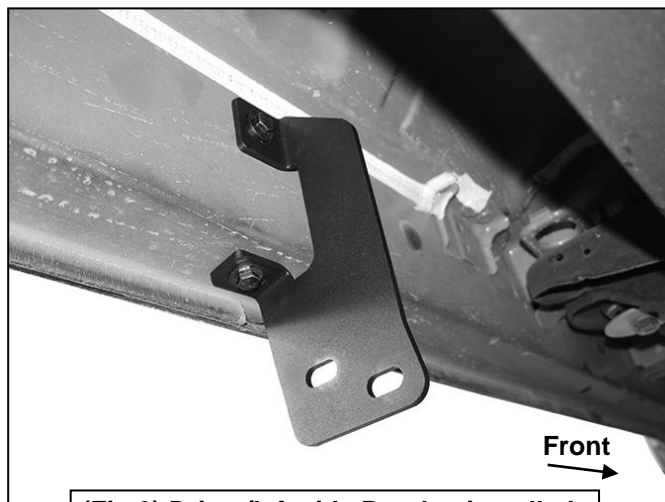


(Fig 1) Remove plastic plugs to uncover threaded inserts

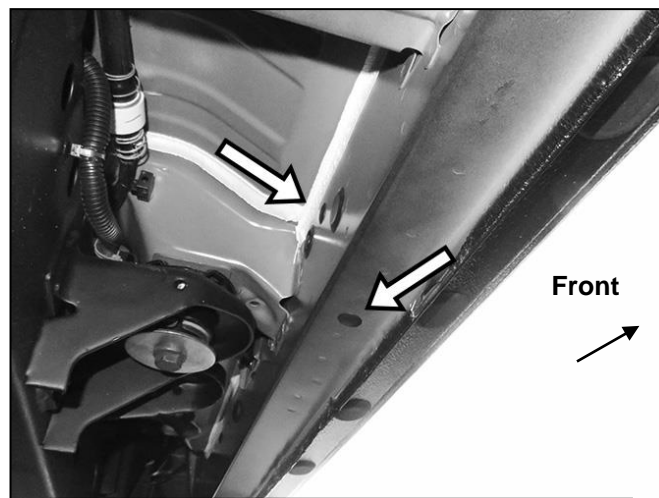
- (2) 8mm Hex Bolts
- (2) 8mm Lock Washers
- (2) 8mm Flat Washers



(Fig 2) Attach driver/left side Mounting Bracket



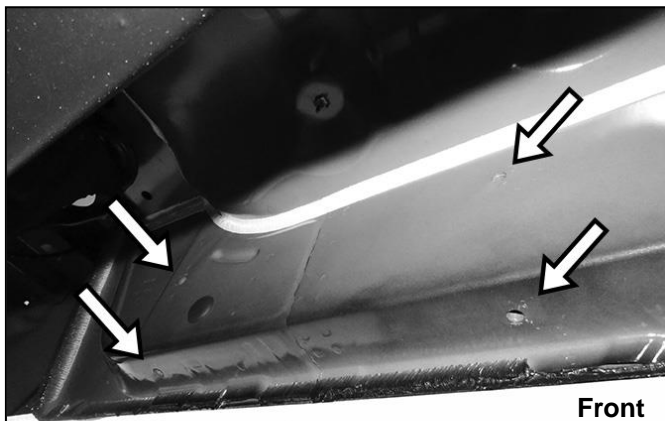
(Fig 3) Driver/left side Bracket installed



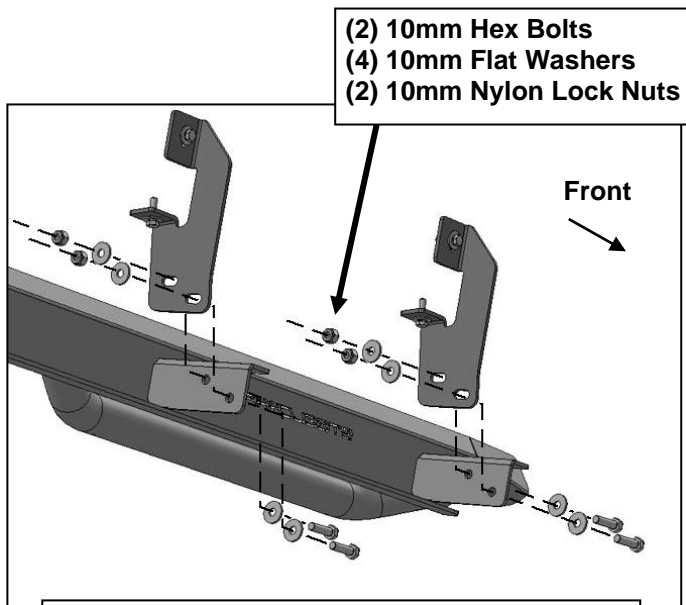
(Fig 4) Driver/left side #2 mounting location

HD SIDE STEPS
2019 CHEVY SILVERADO/GMC SIERRA 1500 DOUBLE CAB
EXCLUDES 2019 SILVERADO "LD" AND 2019 SIERRA "LIMITED"

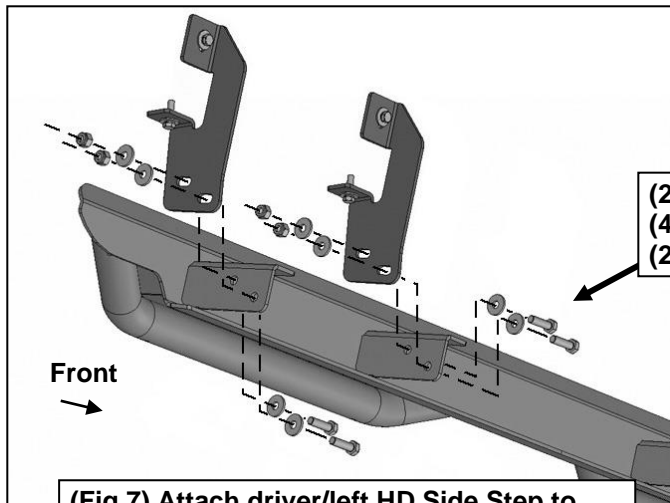
Driver/left side Installation Pictured



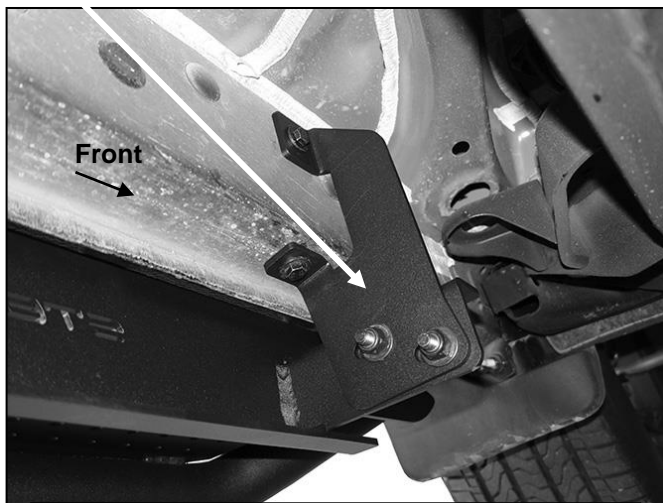
(Fig 5) Driver/left #3 and rear mounting locations



(Fig 6) Attach driver/left HD Side Step to Brackets. (front and #2 Brackets illustrated)



(Fig 7) Attach driver/left HD Side Step to Brackets. (#3 and rear Brackets illustrated)



(Fig 8) Driver/left front complete installation



(Fig 9) Driver/left side complete installation

- (2) 10mm Hex Bolts
- (4) 10mm Flat Washers
- (2) 10mm Nylon Lock Nuts