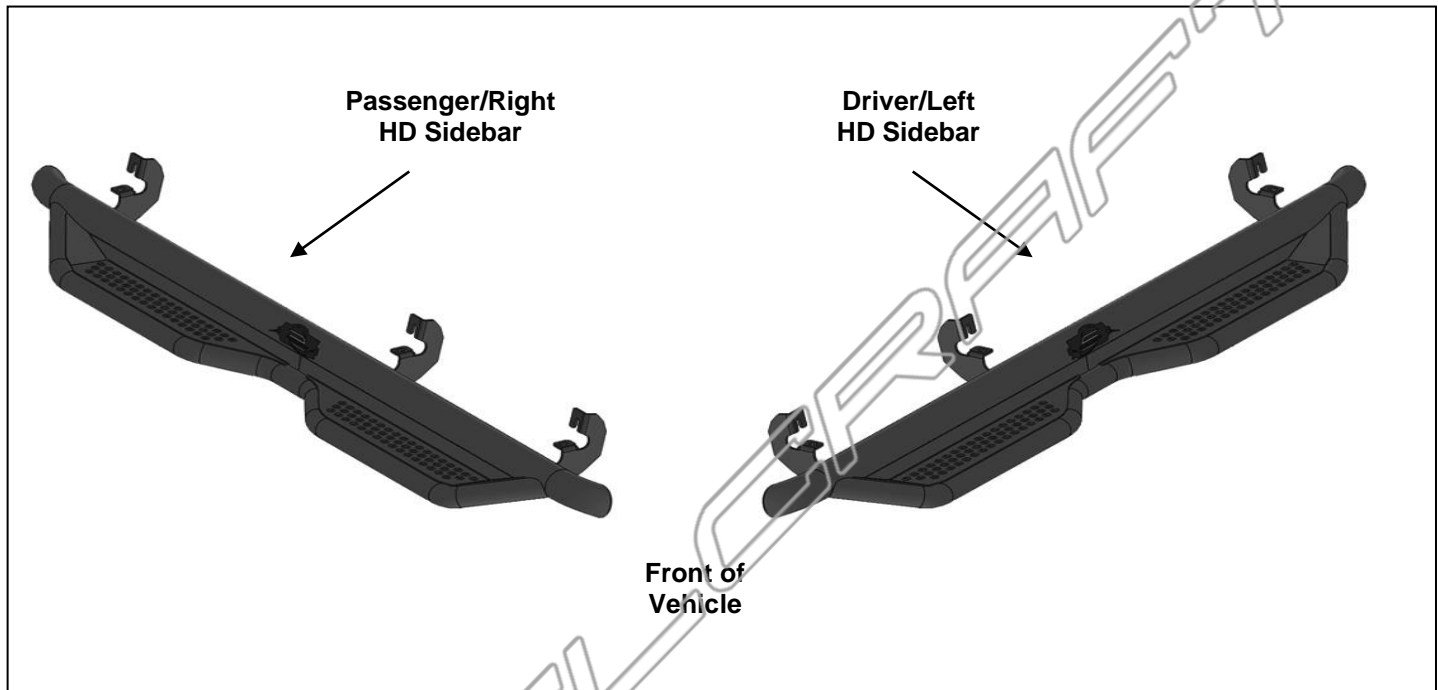


## PARTS LIST:

1	DS(left) HD Sidebar	12	8-1.25mm x 30mm Hex Bolts
1	PS(right) HD Sidebar	12	8mm Lock Washers
12	8-1.25mm Clip-on Nuts	12	8mm x 24mm OD x 2mm Flat Washers



## PROCEDURE:

**REMOVE CONTENTS FROM BOX. VERIFY ALL PARTS ARE PRESENT. READ INSTRUCTIONS CAREFULLY BEFORE STARTING INSTALLATION. ASSISTANCE IS RECOMMENDED.**

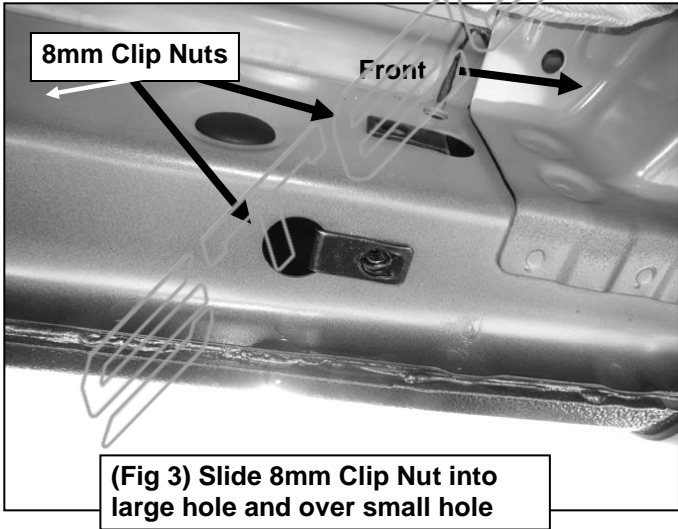
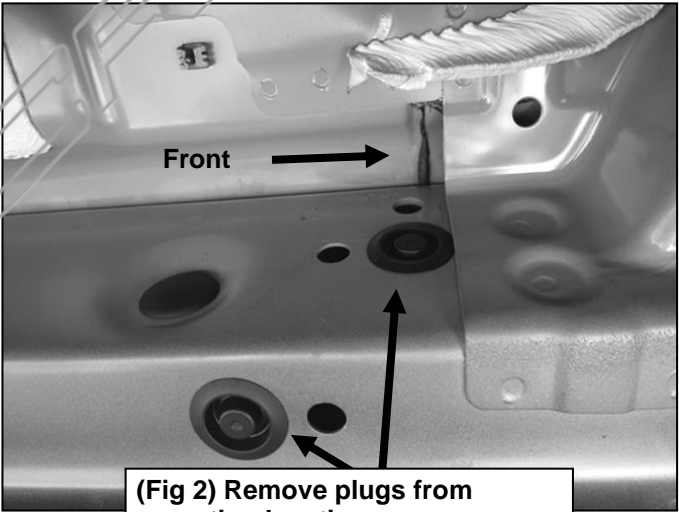
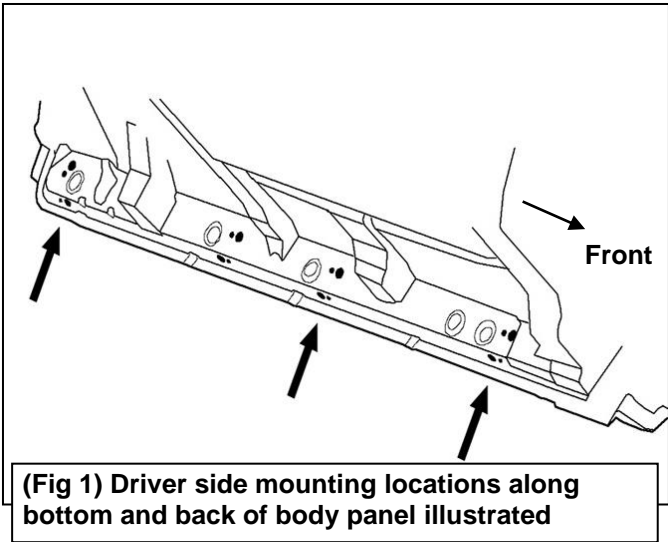
1. Start the installation under the driver side of the vehicle. Locate the 4 factory running board mounting locations along the bottom and inner side of the body, **(Figure 1)**. Mounting Brackets will bolt to the 1st, 2nd and 4th mounting locations.
2. Remove rubber plugs as necessary, **(Figure 2)**. Select (1) 8mm Clip Nut. Slide the Clip Nut into the large hole and over the smaller hole next to it. Line up threaded nut on the Clip Nut with smaller hole in body panel, **(Figure 3)**.
3. Bolt the Sidebar to the (2) Clip Nuts with (2) 8mm Hex Bolts, (2) 8mm Lock Washers and (2) 8mm Flat Washers, **(Figure 4)**. Snug but do not fully tighten the hardware.
4. Level and adjust the Sidebar and tighten all hardware.
5. Repeat **Steps 1—4** to install the Passenger/Right Sidebar.
6. Do periodic inspections to the installation to make sure that all hardware is secure and tight.

**To protect your investment**, wax this product after installing. Regular waxing is recommended to add a protective layer over the finish. Do not use any type of polish or wax that may contain abrasives that could damage the finish.

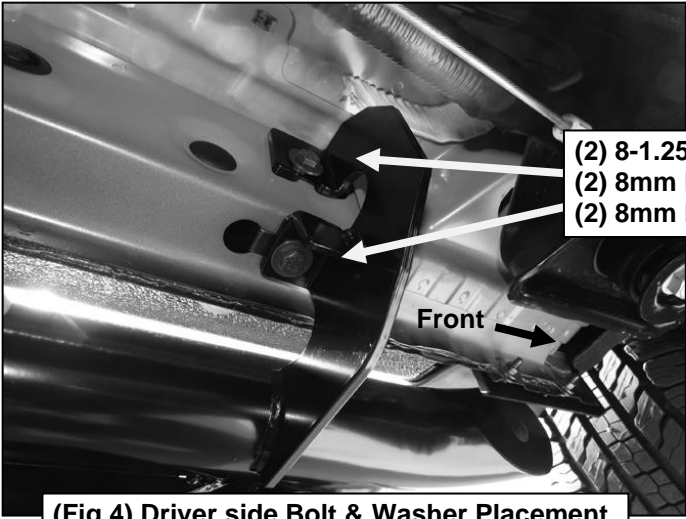
**For stainless steel:** Aluminum polish may be used to polish small scratches and scuffs on the finish. Mild soap may be used also to clean the Sidebar.

**For gloss black finishes:** Mild soap may be used to clean the Sidebar.

Driver/left Side Installation Pictured

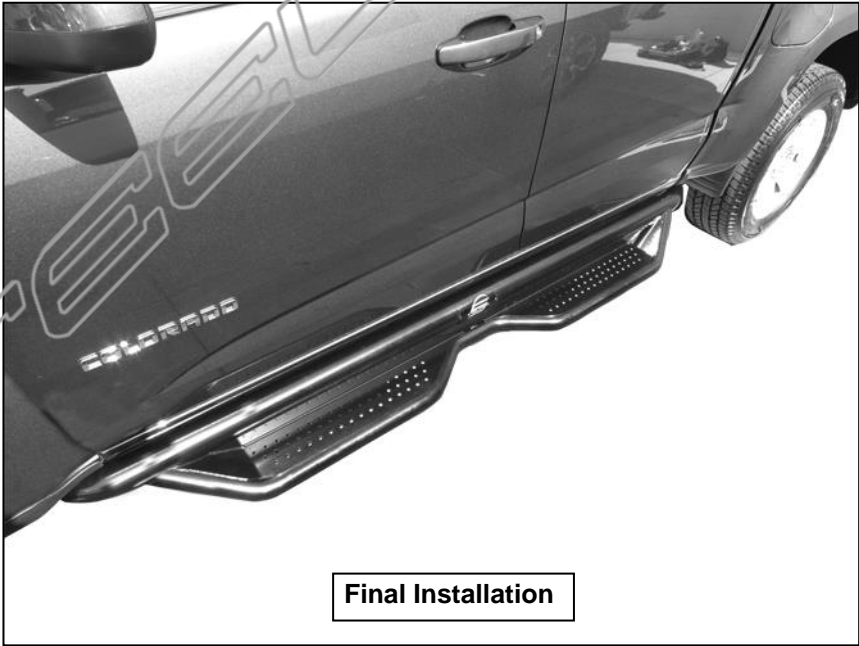


Driver/left Side Installation Pictured



- (2) 8-1.25mm x 30mm Hex Bolts
- (2) 8mm Lock Washers
- (2) 8mm Flat Washers

(Fig 4) Driver side Bolt & Washer Placement



Final Installation