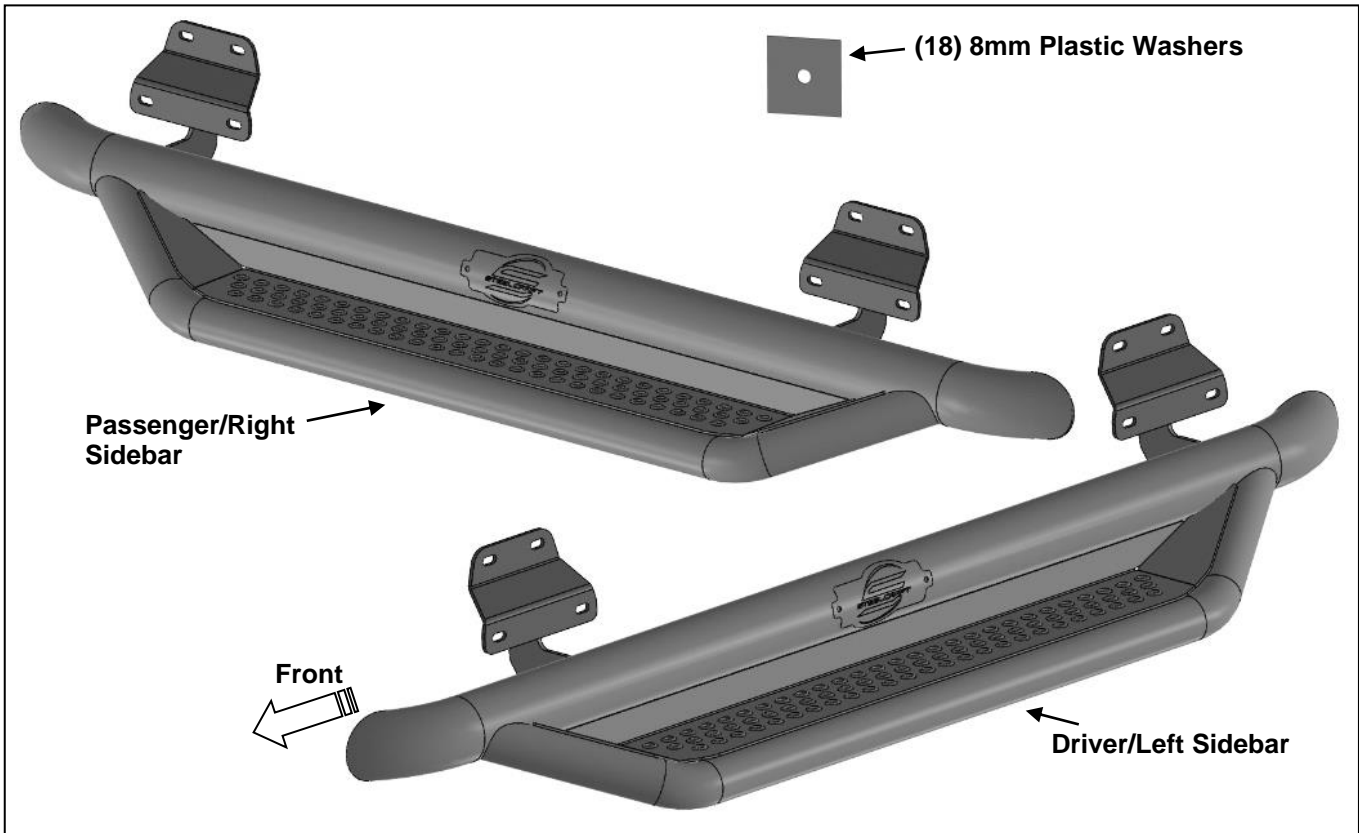


INSTALLATION INSTRUCTIONS

**HD SIDE STEPS
2017-19 F250-350 REGULAR CAB**

PARTS LIST:

1	Driver/Left HD Sidebar	12	8mm x 24mm x 2mm Washers
1	Passenger/Right HD Sidebar	12	8-1.25mm Nylon Lock Nuts
12	8mm Plastic Washers		



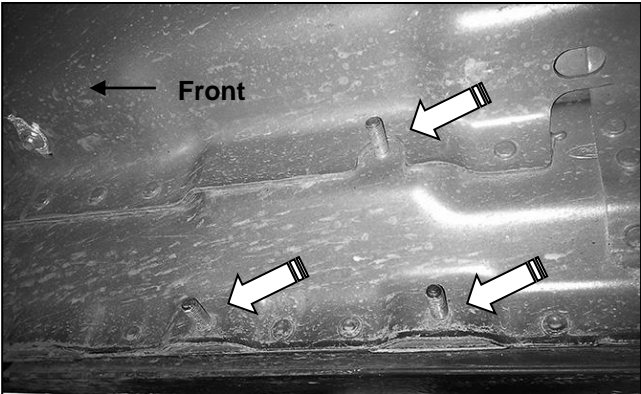
PROCEDURE:

REMOVE CONTENTS FROM BOX. VERIFY ALL PARTS ARE PRESENT. READ INSTRUCTIONS CAREFULLY BEFORE STARTING INSTALLATION. ASSISTANCE IS RECOMMENDED.

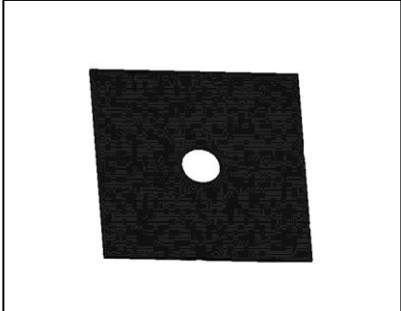
1. Start the installation under the Passenger/Right side of the vehicle. Locate the front factory mounting location along the inner side of the rocker panel, **(Figure 1)**. Use a wire brush to clean off paint and debris from the mounting studs.
2. Slide (1) Plastic Washer over each factory mounting stud in the body panel, **(Figures 2 & 3)**. **IMPORTANT:** The Plastic Washers are designed to prevent corrosion between the aluminum body panel and the steel mounting brackets. **Do not install the HD Sidebar without first installing the Plastic Washers on all mounting studs.**
3. Select the Passenger/Right HD Sidebar. With assistance, attach the HD Sidebar to the (6) factory studs with (6) 8mm Flat Washers and (6) 8mm Nylon Lock Nuts, **(Figures 4 & 5)**. Do not tighten the hardware at this time.
4. Level and adjust the Sidebar and fully tighten all hardware.
5. Repeat **Steps 1—4** to install the Driver/Left Sidebar.
6. Do periodic inspections to the installation to make sure that all hardware is secure and tight.

To protect your investment, Do not use any type of polish or wax that may contain abrasives that could damage the finish. Mild soap may be used also to clean the Side Steps.

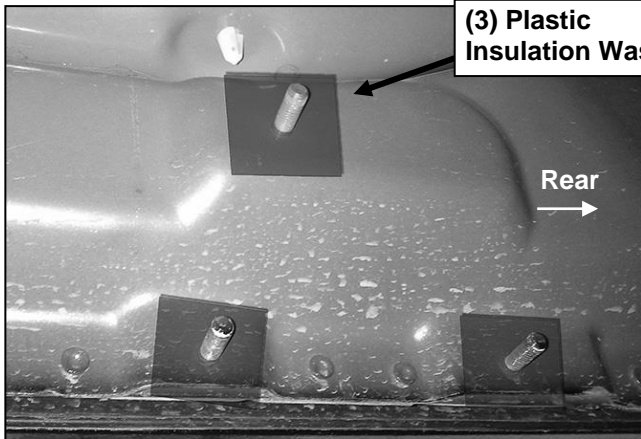
Passenger/Right Side Installation Pictured



(Fig 1) Passenger/Left Front mounting location



(Fig 2) Plastic Insulation Washer



(3) Plastic Insulation Washers

(Fig 3) Thread Plastic Washers onto all mounting studs. Passenger/Left Rear mounting location pictured

(3) 8mm Plastic Washers
(3) 8mm Flat Washers
(3) 8mm Nylon Lock Nuts

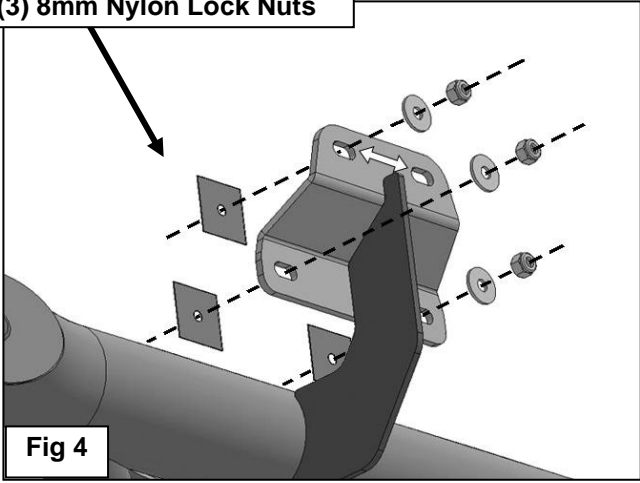


Fig 4

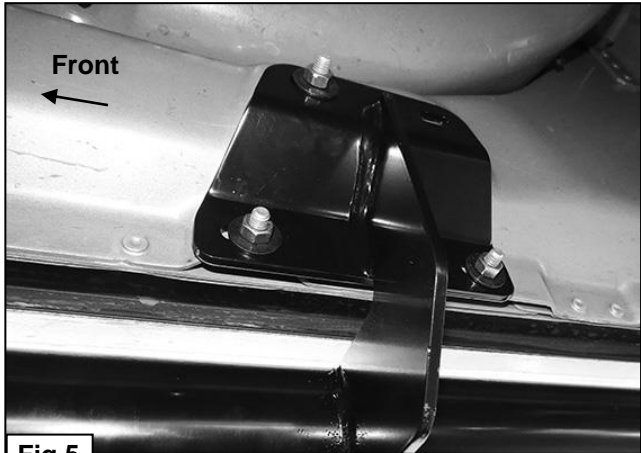


Fig 5