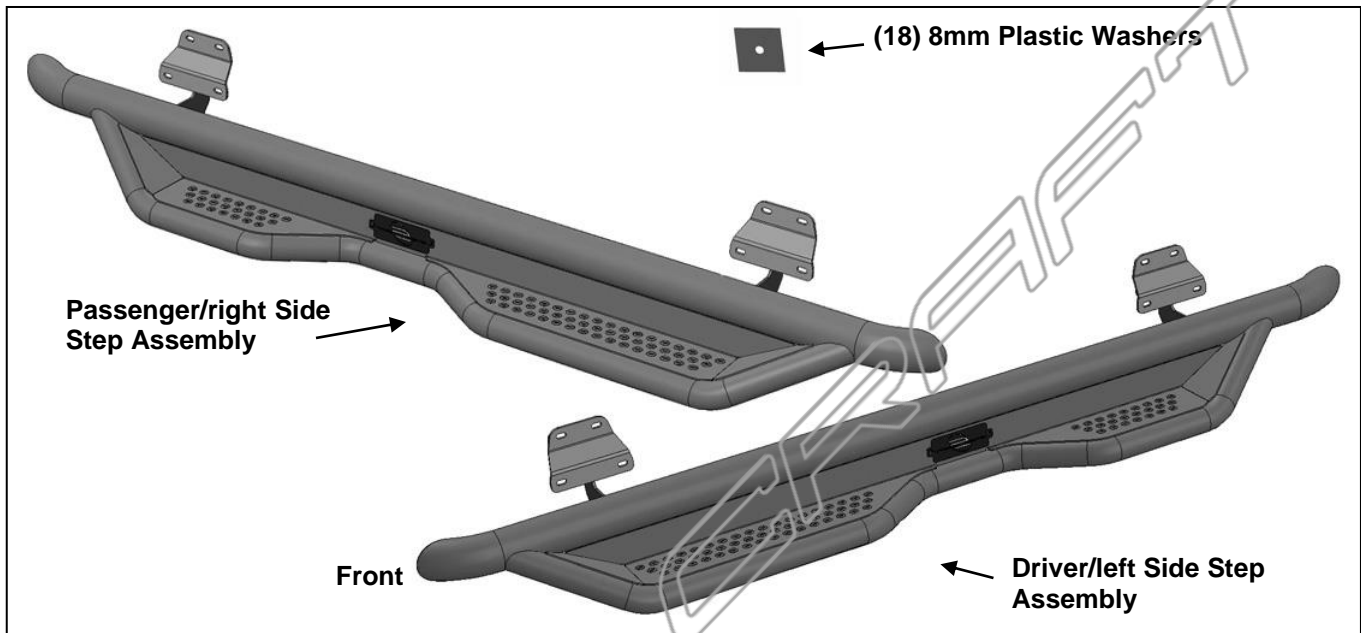


HD SIDE STEPS
2015-17 FORD F150, 2017 F250-350 SUPER CAB

PARTS LIST:

| | | | |
|----|---------------------------------------|----|-----------------------------|
| 1 | Driver/left HD Side Step Assembly | 12 | 8mm x 24mm OD x 2mm Washers |
| 1 | Passenger/right HD Side Step Assembly | 12 | 8-1.25mm Nylon Lock Nuts |
| 12 | 8mm Plastic Washers | | |



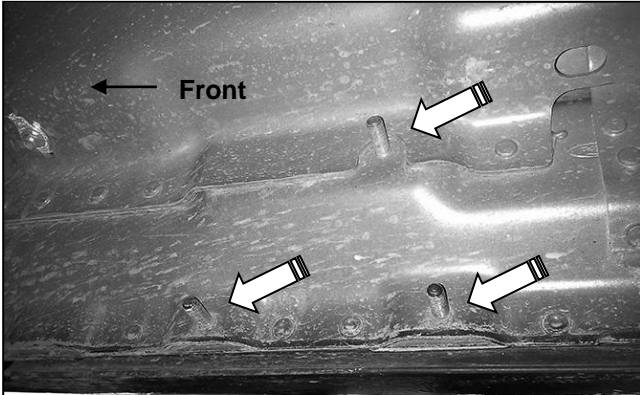
PROCEDURE:

REMOVE CONTENTS FROM BOX. VERIFY ALL PARTS ARE PRESENT. READ INSTRUCTIONS CAREFULLY BEFORE STARTING INSTALLATION. ASSISTANCE IS RECOMMENDED.

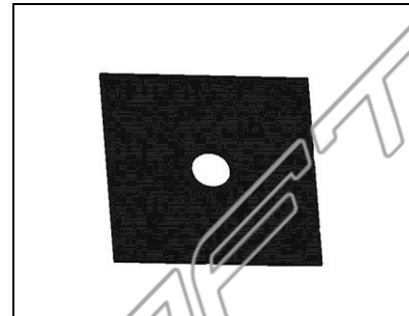
1. Start the installation under the passenger side of the vehicle. Locate the front factory running board mounting location along the inner side of the body, **(Figure 1)**.
2. Slide (1) Plastic Washer over each factory mounting stud in the body panel, **(Figures 2 & 3)**. **IMPORTANT:** The Plastic Washers are designed to prevent corrosion between the aluminum body panel and the steel mounting brackets. **Do not install the HD Side Step without first installing the Plastic Washers on all mounting studs.**
3. Select the passenger/right HD Side Step Assembly. With assistance, attach the HD Side Step to the (6) factory studs with (6) 8mm Flat Washers and (6) 8mm Nylon Lock Nuts, **(Figures 4 & 5)**. Snug but do not fully tighten the hardware.
4. Level and adjust the Side Step and fully tighten all hardware.
5. Repeat **Steps 1—4** to install the driver/left Side Step Assembly.
6. Do periodic inspections to the installation to make sure that all hardware is secure and tight.

To protect your investment, wax this product after installing. Regular waxing is recommended to add a protective layer over the finish. Do not use any type of polish or wax that may contain abrasives that could damage the finish. Mild soap may be used also to clean the Side Steps.

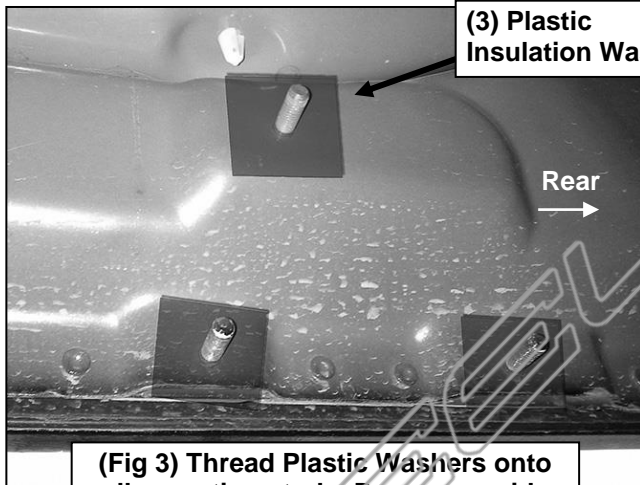
HD SIDE STEPS
2015-17 FORD F150, 2017 F250-350 SUPER CAB
Passenger/right Side Installation Pictured



(Fig 1) Passenger side front mounting location



(Fig 2) Plastic Insulation Washer



(Fig 3) Thread Plastic Washers onto all mounting studs. Passenger side rear mounting location pictured

- (3) 8mm Plastic Washers
- (3) 8mm Flat Washers
- (3) 8mm Nylon Lock Nuts

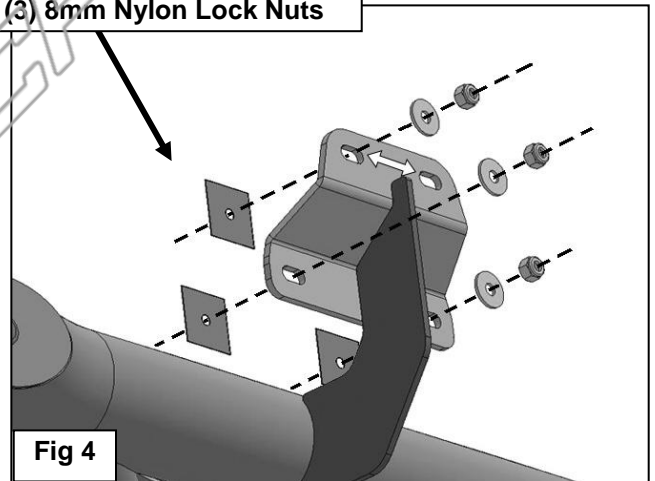


Fig 4



Fig 5



Complete Installation