

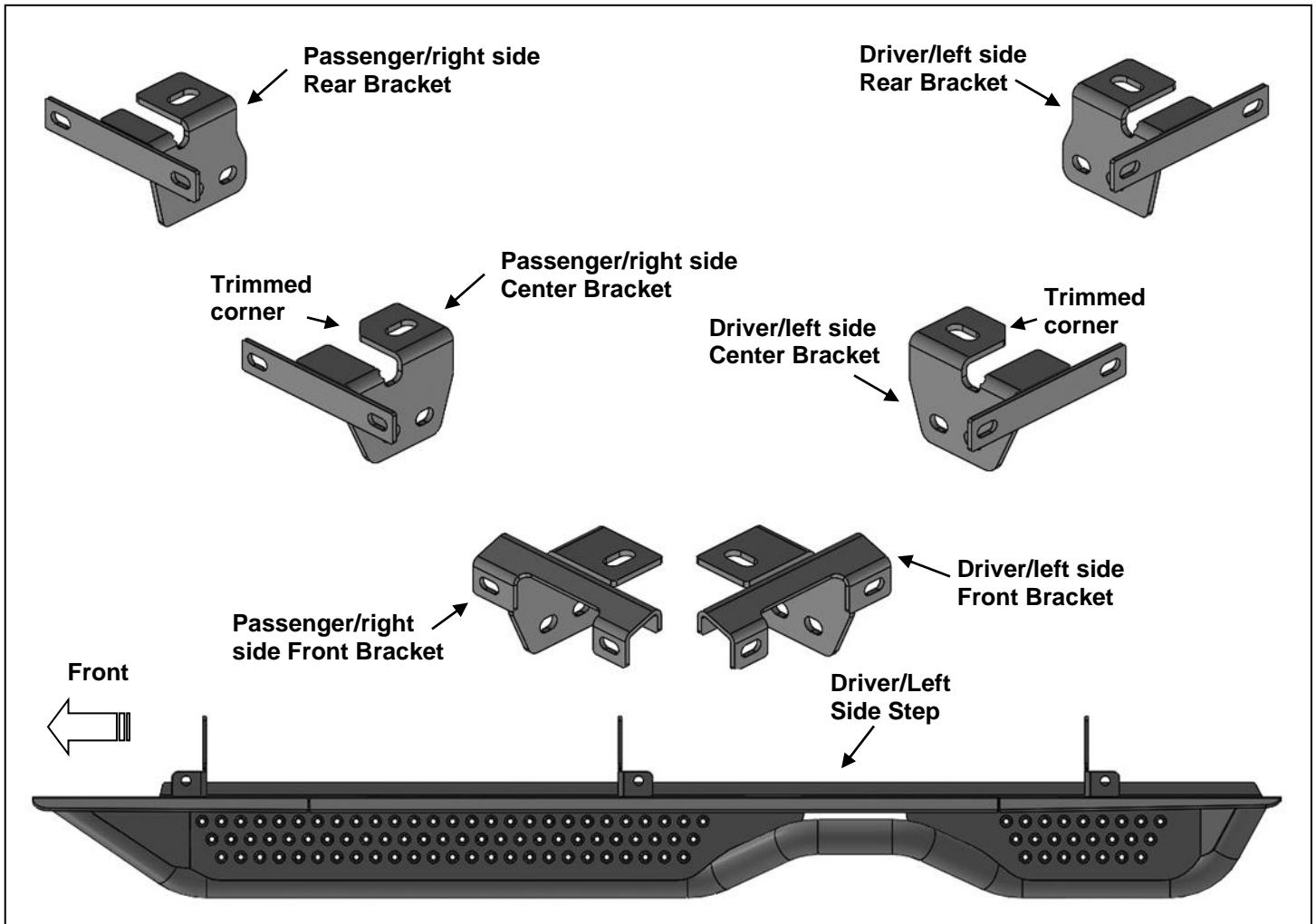
INSTALLATION INSTRUCTIONS

**HD SIDE STEP
2018 JEEP WRANGLER JL 4 DOOR**

**HD SIDE STEP
2018 JEEP WRANGLER JL 4 DOOR**

PARTS LIST:

1	Driver/left Side Step	12	10mm x 35mm Hex Bolts
1	Passenger/right Side Step	24	10mm x 27mm x 3mm Flat Washers
1	Driver/left side Front Bracket	12	10mm Lock Nuts
1	Passenger/right side Front Bracket	6	8-1.25mm x 35mm Hex Bolts
1	Driver/left side Center Bracket	6	8mm Lock Washers
1	Passenger/right side Center Bracket	6	8mm x 28mm x 3mm Flat Washers
1	Driver/left side Rear Bracket	6	6-1.0mm x 25mm Double Bolt Plates
1	Passenger/right side Rear Bracket	12	6mm x 22mm x 2mm Flat Washers
		12	6-1.0mm Nylon Lock Nuts



PROCEDURE: REMOVE CONTENTS FROM BOX. VERIFY ALL PARTS ARE PRESENT. READ INSTRUCTIONS CAREFULLY. FACTORY INSTALLED OR AFTERMARKET "ROCK RAILS," SIDE STEPS OR RUNNING BOARDS MUST BE REMOVED. ASSISTANCE IS HIGHLY RECOMMENDED.

1. Start installation on the driver/left side of the vehicle. Locate the (3) pairs of factory mounting holes along the pinch weld, **(Figure 1)**. The mounting brackets attach to the holes in the pinch weld and the small factory threaded hole directly behind the pinch weld, **(Figure 2)**.
2. Select the driver/left side Front Mounting Bracket, **(Figure 3)**. Use (1) 8mm Hex Bolt, (1) 8mm Lock Washer and (1) 8mm Flat Washer to attach the Bracket to the threaded hole on the body panel, **(Figure 3)**. Leave hardware loose at this time.

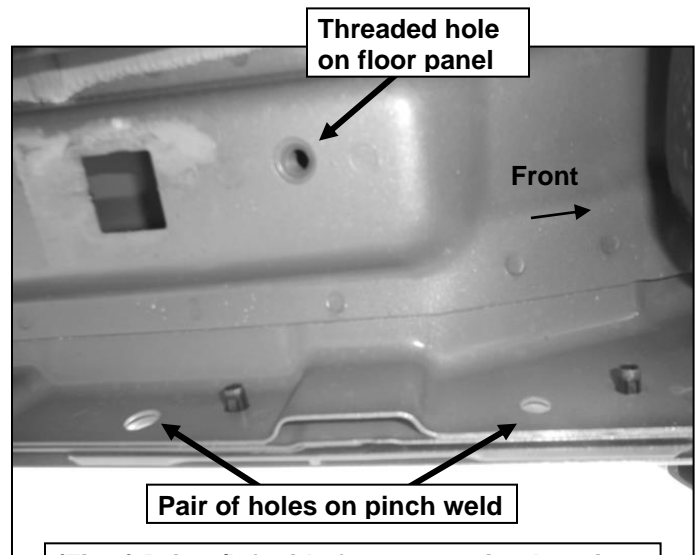
- Next, insert (1) 6mm Double Bolt Plate, **(Figure 4)**, in through the outside of the pinch weld and out the Bracket. Use (2) 6mm Flat Washers and (2) 6mm Nylon Lock Nuts to secure the Bracket to the pinch weld, **(Figures 5 & 6)**. Leave hardware loose.
- Move to the center mounting location, **(Figure 7)**. Select the driver/left side Center Bracket, **(Figure 8)**. **NOTE:** The Center and Rear Mounting Bracket look similar but each one is unique. The Center Bracket has been trimmed in the lower corner of the mounting tab. Use **Figure 8** to distinguish between both Brackets.
- Repeat **Steps 1—3** to attach the Center Bracket to the center mounting location, **(Figure 9)**.
- Move to the rear mounting location along the body panel, **(Figure 10)**. Select the driver/left side Rear Mounting Bracket, **(Figure 8)**. Repeat **Steps 1—3** to install the Rear Bracket, **(Figure 11)**.
- Select the Driver/left Side Step. Use the illustration above to determine the correct Side Step. With assistance, hold the Driver/left Side Step up against the Mounting Brackets. Attach the Side Step to the Mounting Brackets with (6) 10mm Hex Bolts, (12) 10mm Flat Washers and (6) 10mm Nylon Lock Nuts, **(Figures 12—15)**. Leave hardware loose at this time.
- Level and adjust the Side Step and tighten all hardware.
- Repeat **Steps 1—8** for Passenger/right Side Step installation.
- Do periodic inspections to the installation to make sure that all hardware is secure and tight.

To protect your investment Do not use any type of polish or wax that may contain abrasives that could damage the finish. Mild soap may be used to clean the Side Step.

Driver/Left Side Installation Pictured



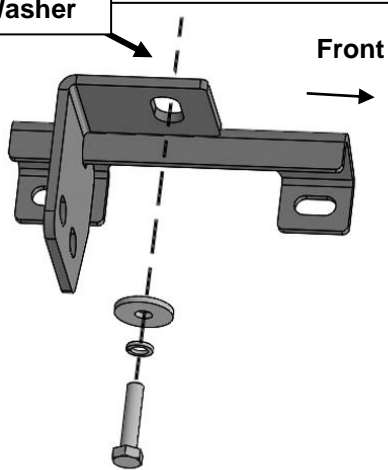
(Fig 1) Locate the (3) factory pair of holes along the pinch weld (Driver/left side pictured)



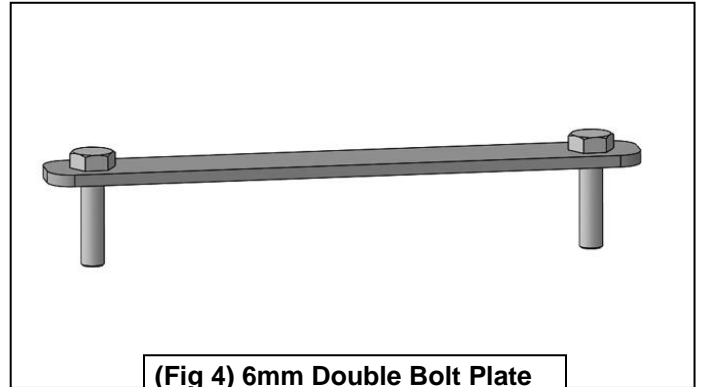
(Fig 2) Driver/left side front mounting location

Driver/Left Side Installation Pictured

8mm Hex Bolts
8mm Lock Washer
8mm Flat Washer

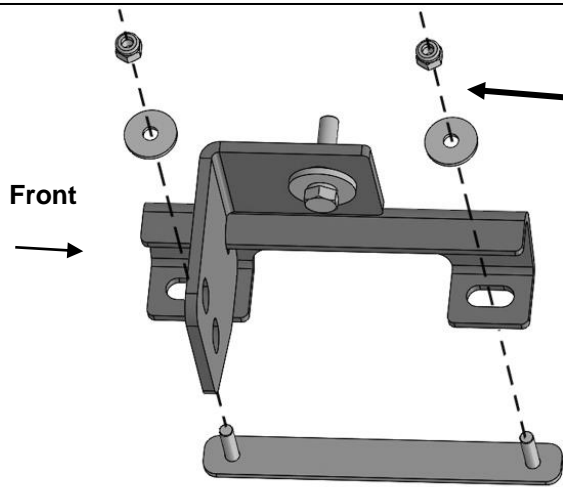


(Fig 3) Driver/left side Front Mounting Bracket



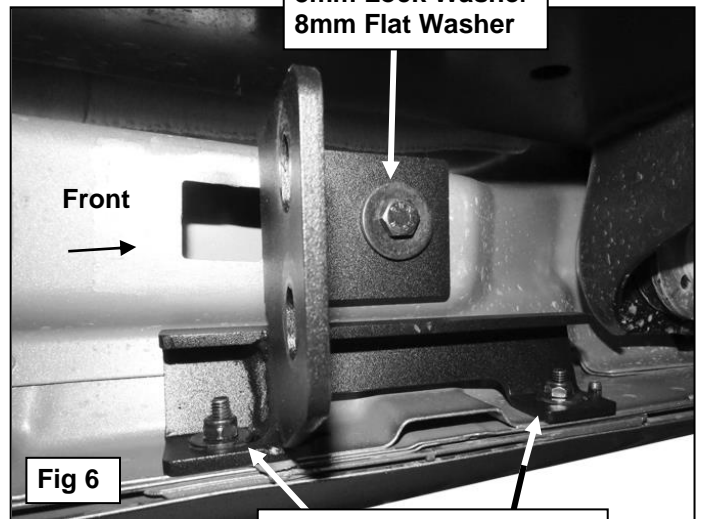
(Fig 4) 6mm Double Bolt Plate

6mm Double Bolt Plate
(2) 6mm Flat Washers
(2) 6mm Nylon Lock Nuts

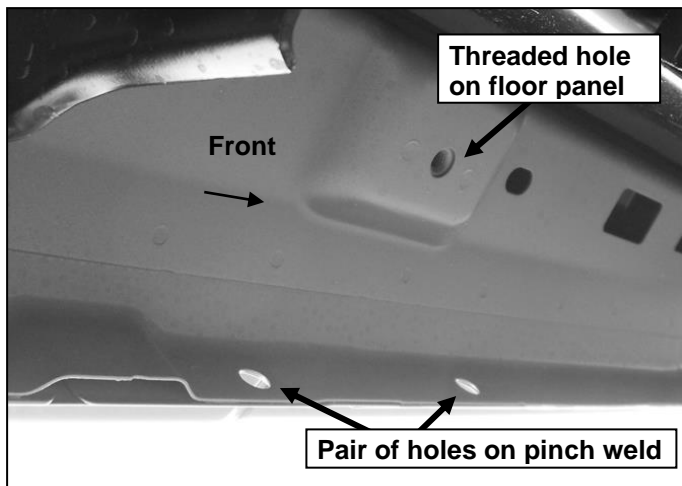


(Fig 5) Driver/left side Front Mounting Bracket

8mm Hex Bolt
8mm Lock Washer
8mm Flat Washer

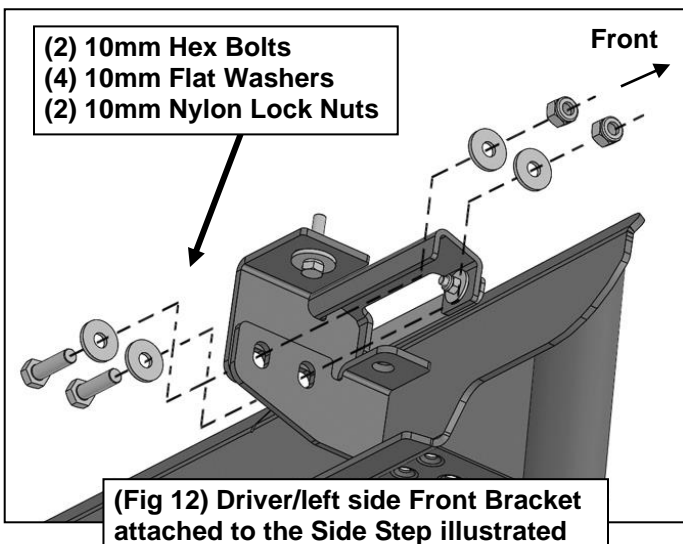
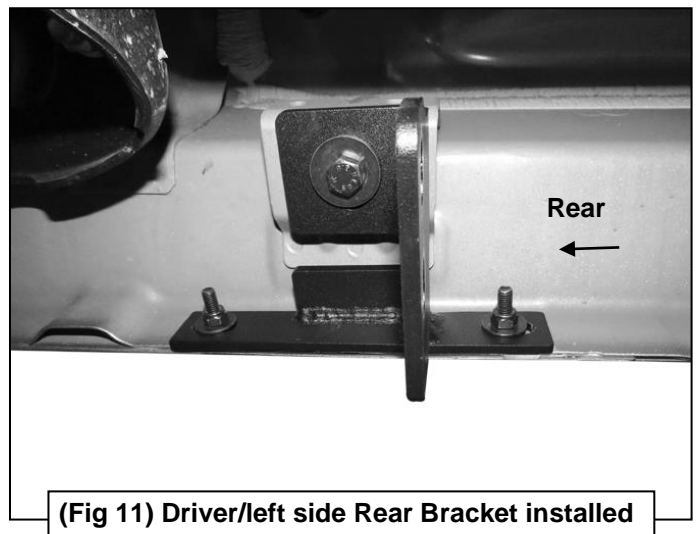
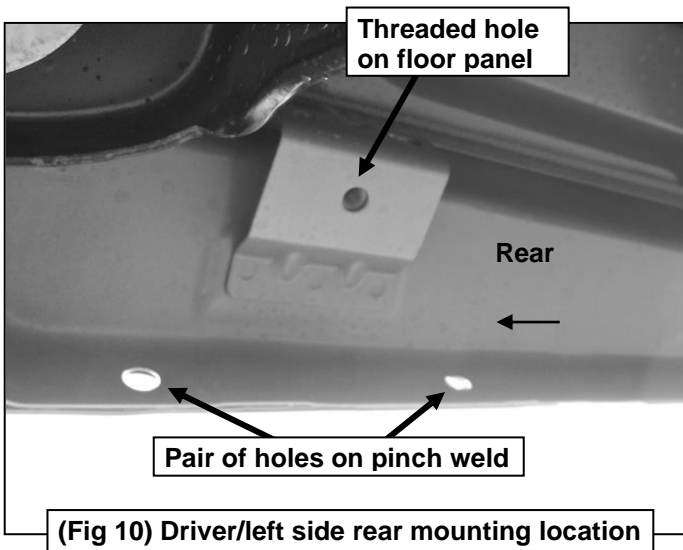
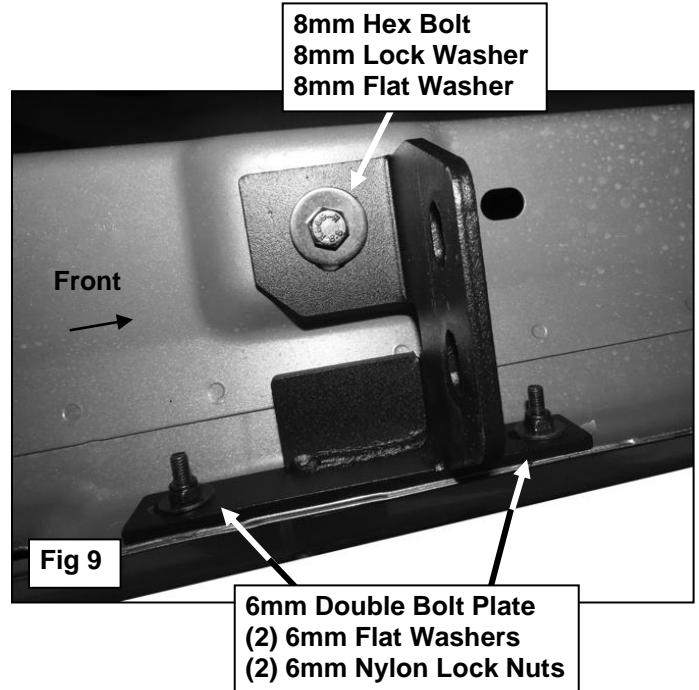
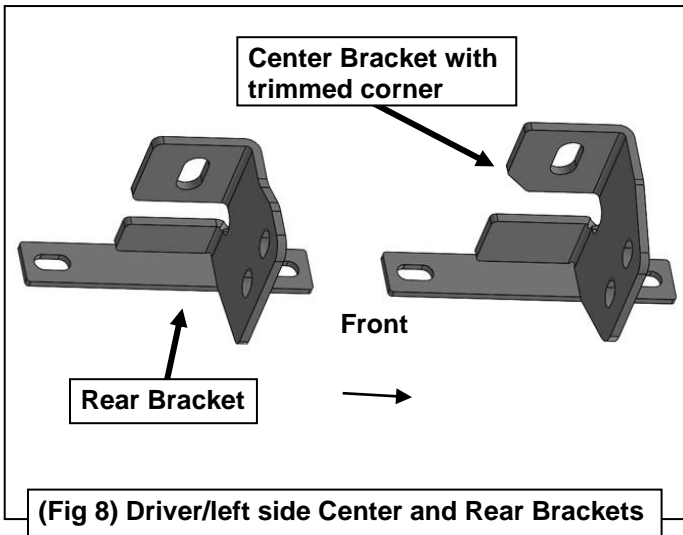


6mm Double Bolt Plate
(2) 6mm Flat Washers
(2) 6mm Nylon Lock Nuts

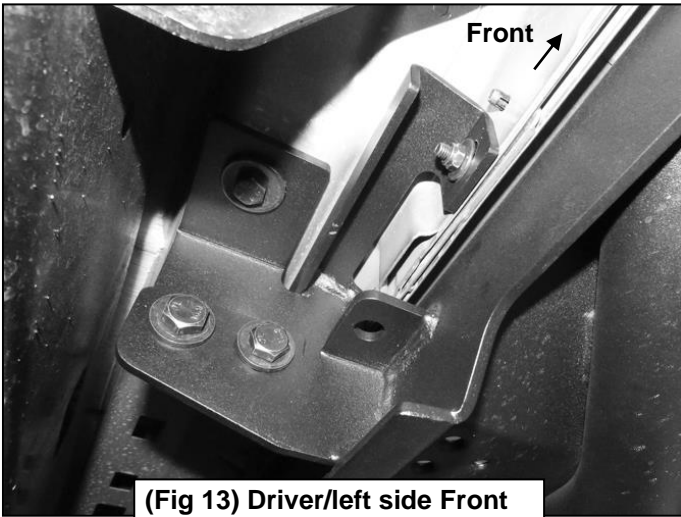


(Fig 7) Driver/left side center mounting location

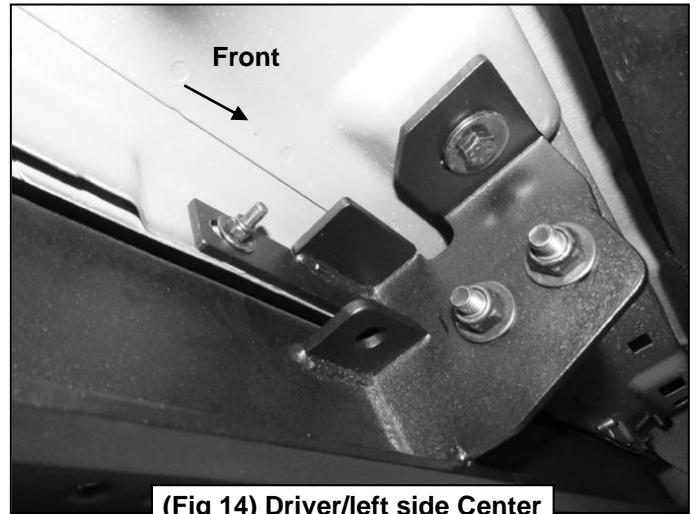
Driver/Left Side Installation Pictured



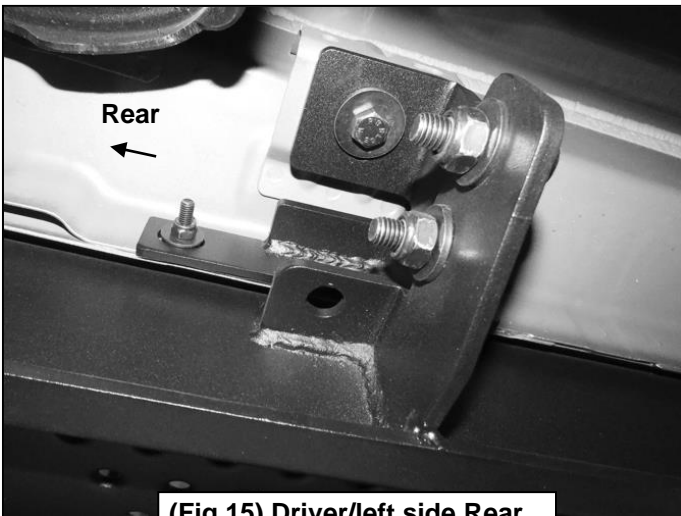
Driver/Left Side Installation Pictured



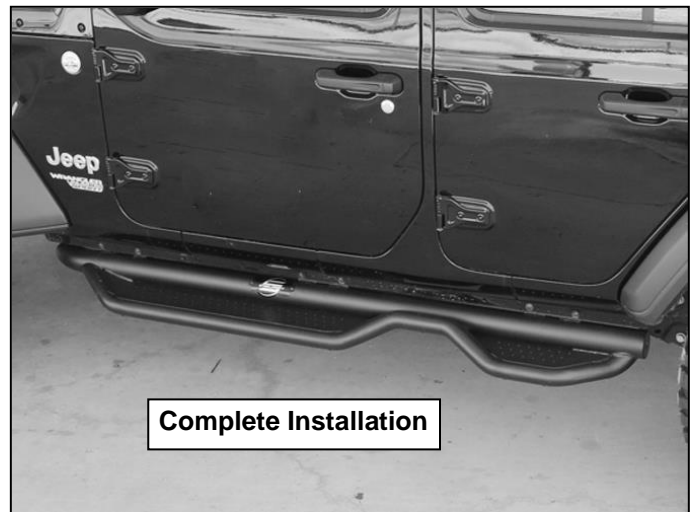
(Fig 13) Driver/left side Front Bracket attached to Side Step



(Fig 14) Driver/left side Center Bracket attached to Side Step



(Fig 15) Driver/left side Rear Bracket attached to Side Step



Complete Installation