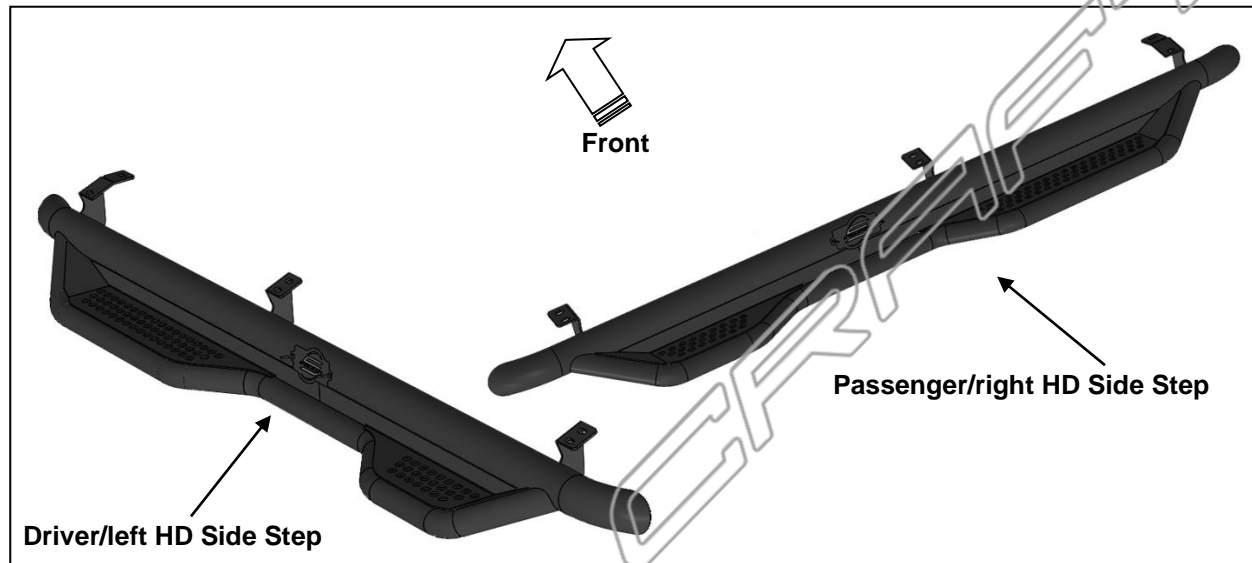


HD SIDE STEPS
2005-2016 TOYOTA TACOMA DOUBLE CAB

PARTS LIST:

Qty	Description	Qty	Description
1	Driver/left HD Side Step	12	8mm Lock Washers
1	Passenger/right HD Side Step	12	8mm x 24mm OD x 2mm STD Flat Washers
12	8-1.25mm x 30mm Hex Bolts		



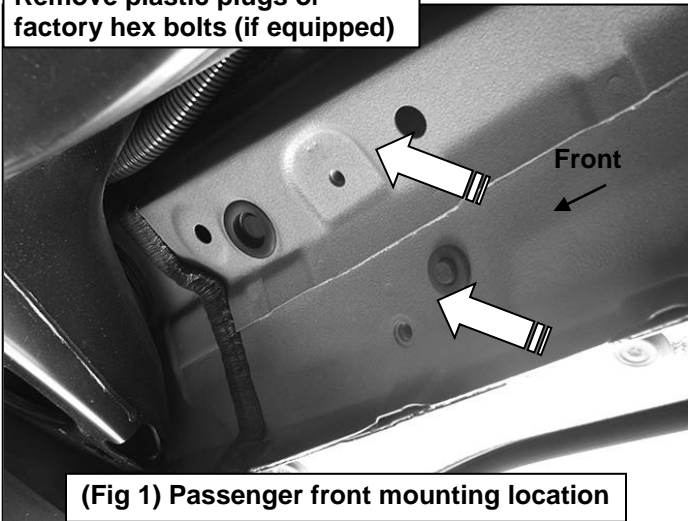
PROCEDURE:

- 1. REMOVE CONTENTS FROM BOX. VERIFY ALL PARTS ARE PRESENT. READ INSTRUCTIONS CAREFULLY. USE ILLUSTRATION TO IDENTIFY RUNNING BOARDS. ASSISTANCE IS RECOMMENDED.**
- Starting from under the passenger side of the vehicle, remove the plastic plugs, (or hex bolts), covering the factory threaded holes in the body panel, **(Figures 1)**. **NOTE:** There are (3) factory running board mounting locations along the bottom of the body. Repeat to remove the plugs from the 2nd, and 3rd (rear) mounting locations.
- Carefully unwrap the passenger side HD Side Step. With assistance, hold the Side Step up in place against the (3) mounting locations. Attach the Side Step to the factory threaded mounting holes with the included (2) 8mm Hex Bolts, (2) 8mm Lock Washers and (2) Flat Washers, **(Figures 2—4)**. Do not tighten hardware at this time.
- Level and adjust the Side Step and tighten all hardware.
- Repeat **Steps 2—4** for driver/left Side Step installation.
- Do periodic inspections to the installation to make sure that all hardware is secure and tight.

To protect your investment, wax this product after installing. Regular waxing is recommended to add a protective layer over the finish. Do not use any type of polish or wax that may contain abrasives that could damage the finish. Mild soap may be used to clean the HD Side Step.

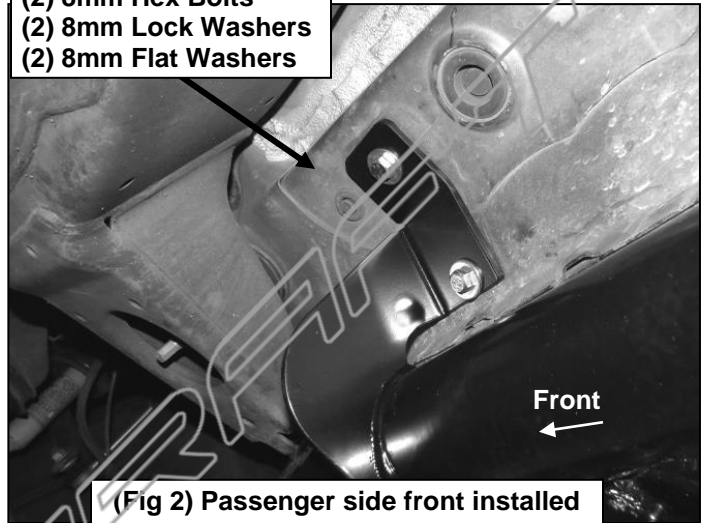
Passenger Side Installation Pictured

Remove plastic plugs or
factory hex bolts (if equipped)



(Fig 1) Passenger front mounting location

(2) 8mm Hex Bolts
(2) 8mm Lock Washers
(2) 8mm Flat Washers



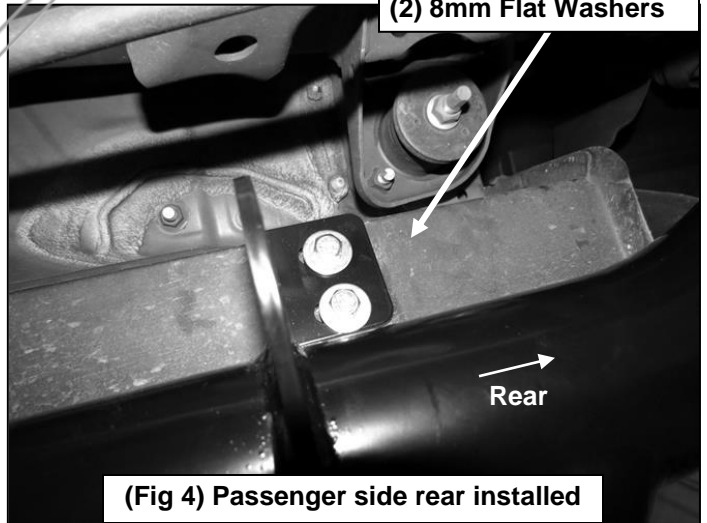
(Fig 2) Passenger side front installed

(2) 8mm Hex Bolts
(2) 8mm Lock Washers
(2) 8mm Flat Washers



(Fig 3) Passenger side 2nd bracket installed

(2) 8mm Hex Bolts
(2) 8mm Lock Washers
(2) 8mm Flat Washers



(Fig 4) Passenger side rear installed



Complete Installation