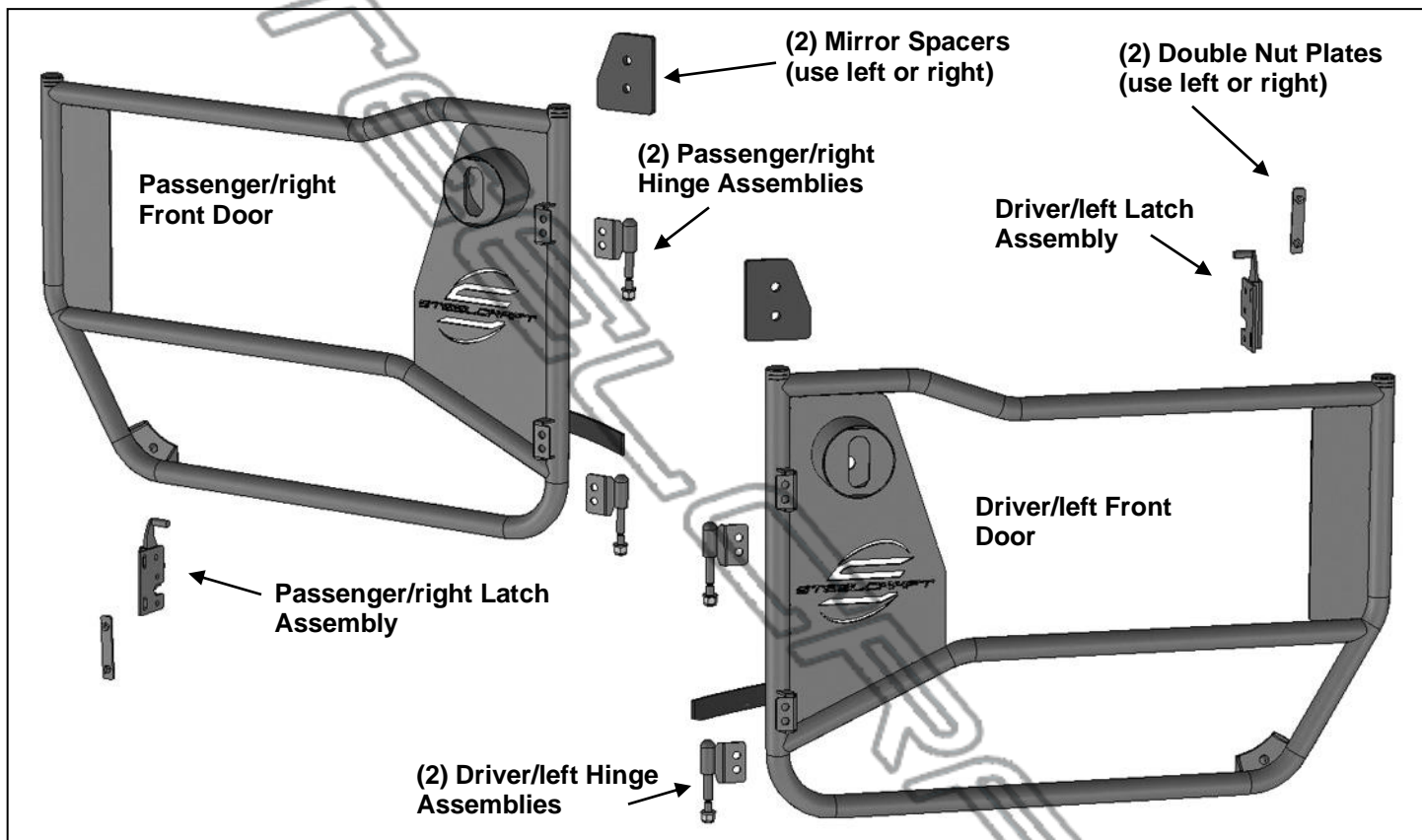


TUBE FRONT DOORS
2007-18 JEEP WRANGLER JK 2-DR AND 4-DR UNLIMITED

PARTS LIST:

1	Driver/left Front Door	4	10mm Nylon Lock Nuts
1	Passenger/right Front Door	8	8mm x 20mm Button Head Bolts
2	Driver/left Hinge Assemblies	16	8mm x 16mm x 1.6mm Flat Washers
2	Passenger/right Hinge Assemblies	8	8mm Nylon Lock Nuts
1	Driver/left Latch Assembly	4	6mm x 25mm Button Head Bolts
1	Passenger/right Latch Assembly	4	6mm x 22mm x 2mm Flat Washers
2	Mirror Spacers	4	6mm Lock Washers
2	6mm Double Nut Plates	1	5mm Wrench
4	10mm x 20mm x 2mm Flat Washers	1	4mm Wrench



PROCEDURE:

REMOVE CONTENTS FROM BOX. VERIFY ALL PARTS ARE PRESENT. READ INSTRUCTIONS CAREFULLY BEFORE STARTING INSTALLATION. ASSISTANCE IS RECOMMENDED.

1. Start installation at the driver/left front door. Roll window down fully into door. Remove the retaining screws from the bottom of the (2) outer door hinges, **(Figure 1)**.
2. Open the door and remove the outer mirror assembly, **(Figure 2)**.
3. On models with power/heated mirrors, unplug the wiring harness leading to the door, **(Figure 3)**.
4. Release the limit strap from the hook on the mounting bracket, **(Figure 3)**. **IMPORTANT:** To prevent the door from swinging fully open and possible damage, have someone hold door in place after limit strap is removed.
5. Insert arm through open window, open door slightly and lift door straight up and out from hinges. Move door to a clean stable surface.
6. Select the driver/left Door Assembly and (1) driver/left Door Hinge, **(Figure 4)**. Attach the Hinge to the top mount on the Door with the included (2) 8mm x 20mm Button Head Bolts, (4) 8mm Flat Washers and (2) 8mm Nylon Lock Nuts, **(Figure 4)**. Do not tighten hardware at this time. Repeat this Step to attach the remaining driver/left Hinge to the lower mounting plate on the door.

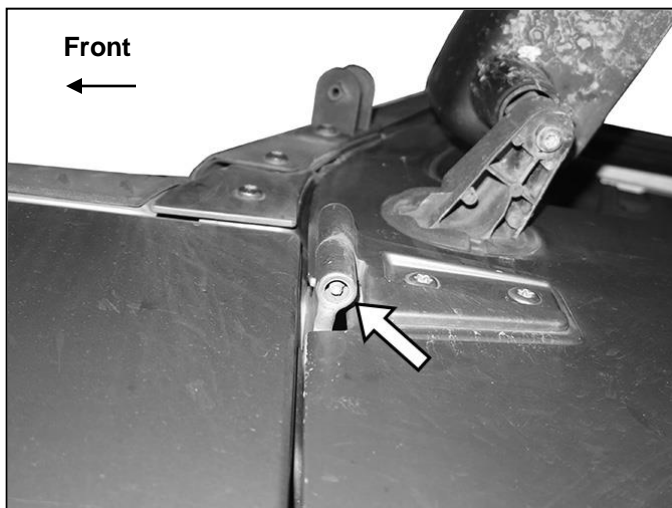
TUBE FRONT DOORS

2007-18 JEEP WRANGLER JK 2-DR AND 4-DR UNLIMITED

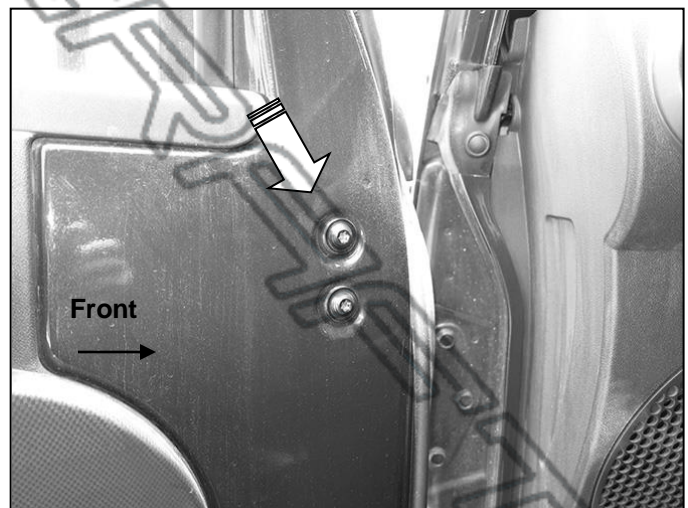
7. Select the driver/left Latch Assembly, **(Figure 5)**. Attach the Latch to the back of the mounting tab on the rear of the door with (2) 6mm x 25mm Button Head Bolts, (2) 6mm Lock Washers, (2) 6mm Flat Washers and (1) 6mm Double Nut Plate, **(Figures 5 & 6)**. Do not fully tighten hardware.
8. Apply a thin coating of waterproof grease, (not included), to the Hinge Pins. Carefully hold the door in place over the hinges on the vehicle. Guide the Hinge Pins down and into the hinges. Secure each Hinge Pin to the hinge with (1) 10mm Flat Washer and (1) 10mm Nylon Lock Nut, **(Figures 7 & 8)**. Leave Lock Nut loose at this time.
9. Attach the Limit Strap on the Door to the bracket on the vehicle, **(Figure 9)**.
10. Slowly swing the Door open and closed a few times to center the hinge pins in the hinges. Center the Door assembly in the opening in the vehicle. Adjust as necessary and fully tighten Hinge to Door hardware only.
11. Adjust the position of the Latch assembly outward in the slots as far as possible, **(Figure 10)**. Snug but do not fully tighten hardware. Slowly close the door and check to see if it is lined up with the striker. Adjust as necessary and tighten hardware. **IMPORTANT:** Make sure Latch will **fully close and open** properly before fully tightening Latch hardware. Check to see that the latch fully closes then gradually move the latch in toward the door to tighten up the door, **(Figure 11)**. Once Door is fully adjusted, tighten the bottom 10mm Lock Nuts on the Hinges until there is slight resistance in the door operation. Do not fully tighten Lock Nut.
12. Select (1) Mirror Spacer Plate, **(Figure 12)**. Hold the mirror up to the outside of the Door. Insert the factory screws through the Spacer on the inside of the Door and into the mirror, **(Figure 13)**. Tighten mirror hardware at this time.
13. Repeat **Steps 1—12** to install the passenger/right Door assembly.
14. Do periodic inspections to the installation to make sure that all hardware is secure and tight.

To protect your investment, do not use any type of polish or wax that may contain abrasives that could damage the finish. Mild soap may be used to clean the Doors.

Driver/left Side Installation Pictured

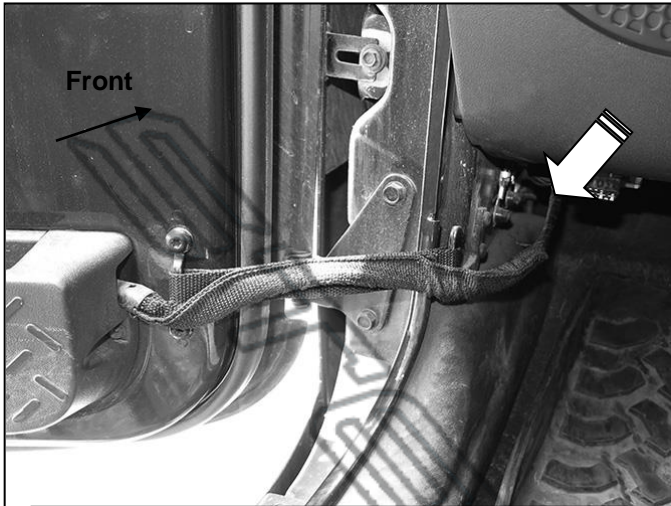


(Fig 1) Remove retaining screws from bottom of hinges (arrow)



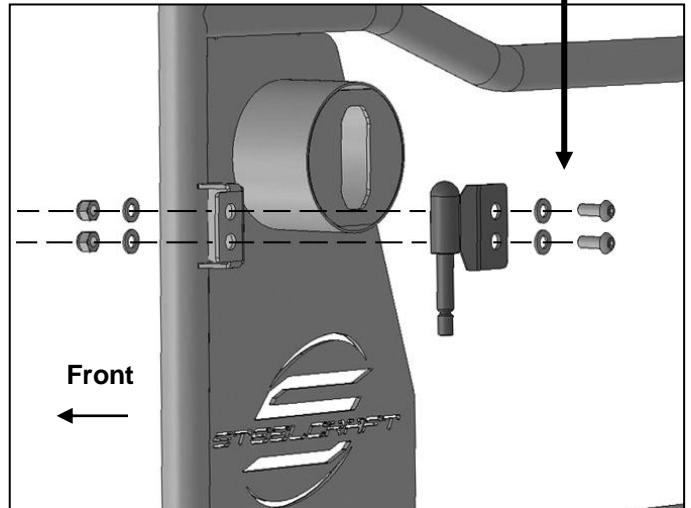
(Fig 2) Remove screws to remove mirror (arrow)

Driver/left Side Installation Pictured

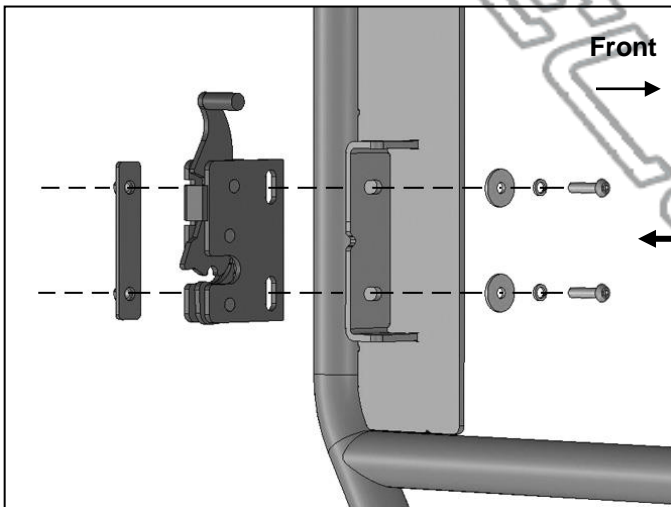


(Fig 3) Unplug wiring harness if equipped. Release door stop strap from bracket (arrow)

- (2) 8mm x 20mm Button Head Bolts
- (4) 8mm Flat Washers
- (2) 8mm Nylon Lock Nuts

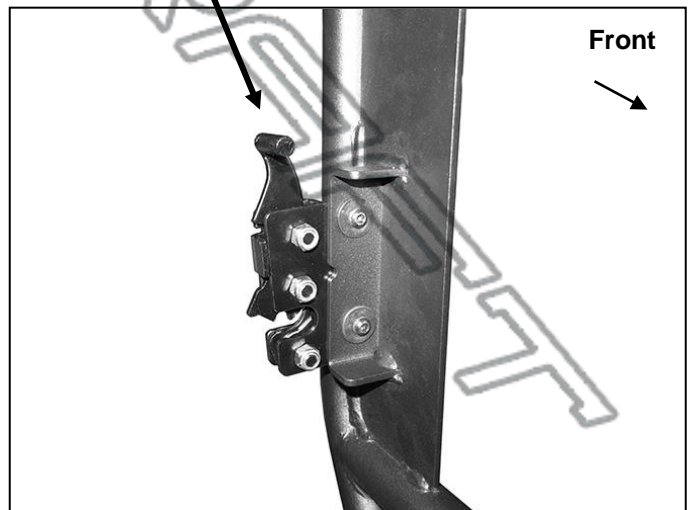


(Fig 4) Attach driver/left Hinges to Door



(Fig 5) Attach driver/left Door Latch to Door

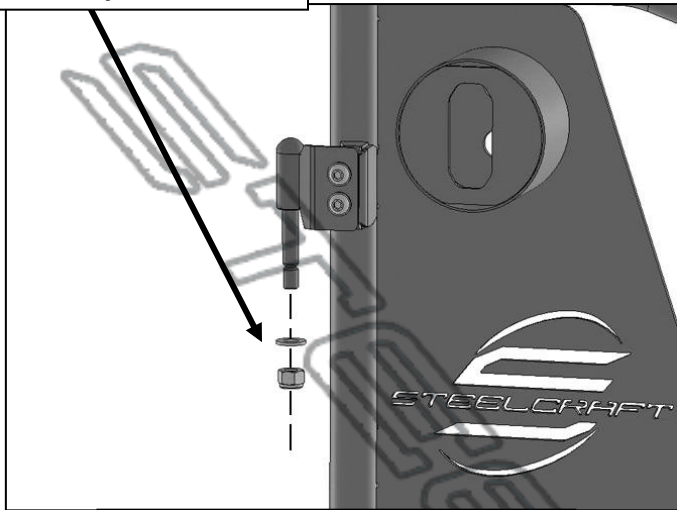
- (2) 6mm x 25mm Button Head Bolts
- (2) 6mm Lock Washers
- (2) 6mm Flat Washers
- 6mm Double Nut Plate



(Fig 6) Driver/left Door Latch installed

Driver/left Side Installation Pictured

10mm Flat Washer
10mm Nylon Lock Nut



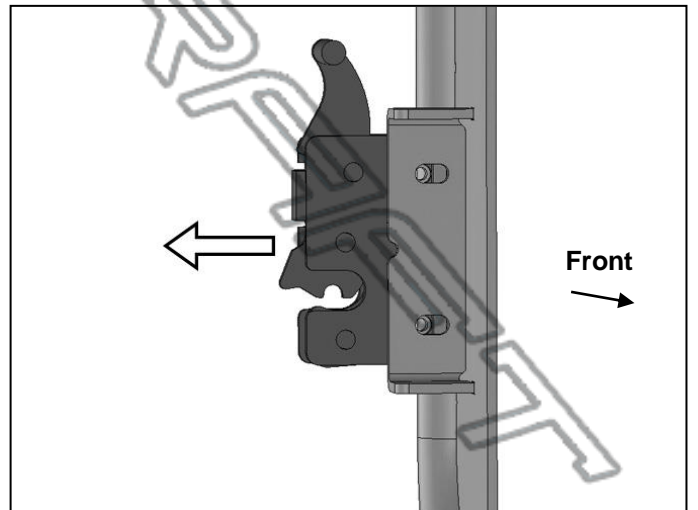
(Fig 7) Lift door, guide Hinge Pins down through hinges on vehicle



(Fig 8) Door attached to upper and lower hinge assemblies

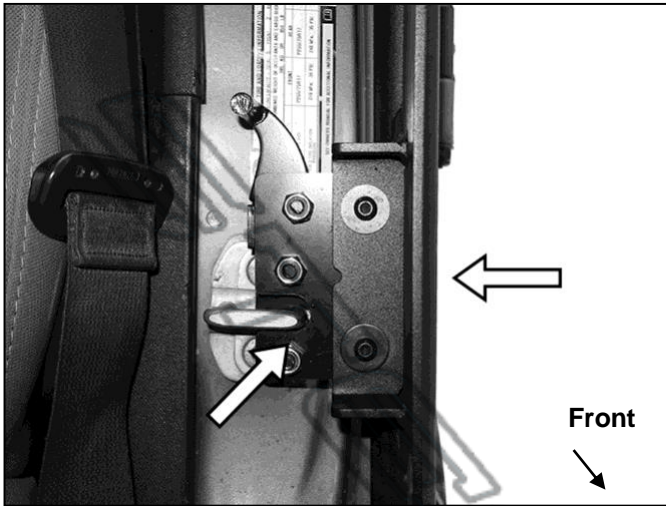


(Fig 9) Slide end of Door Stop Strap over bracket

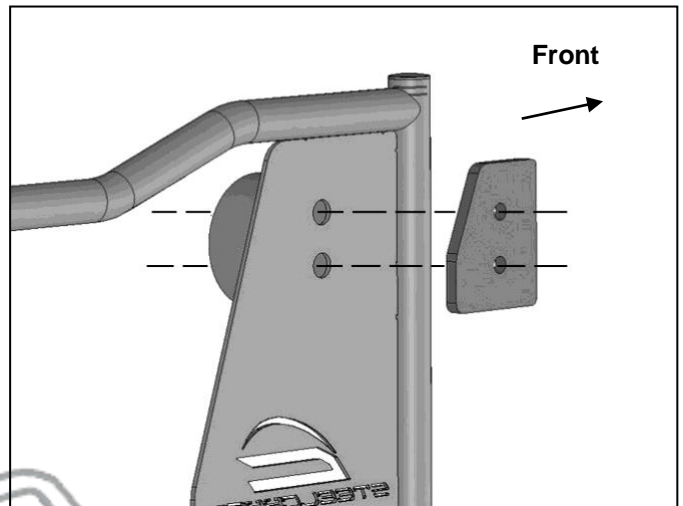


(Fig 10) Loosen Button Head Bolts and slide Latch to the outer end of the slots, (button head bolts shown removed for instruction purposes only, do not remove bolts)

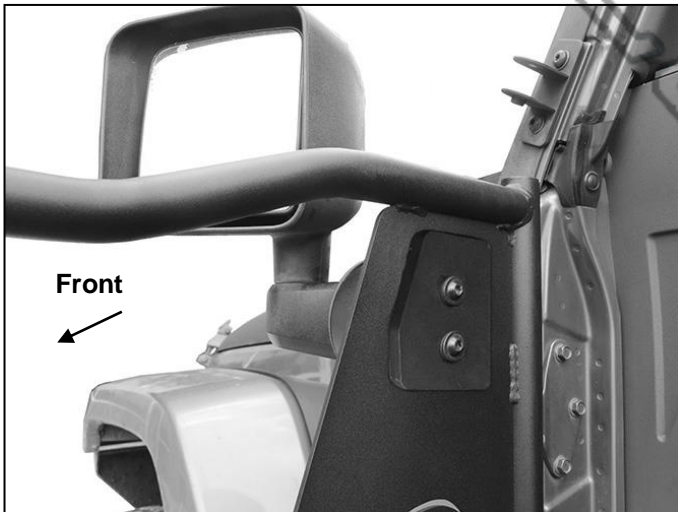
Driver/left Side Installation Pictured



(Fig 11) Adjust Door and Latch assembly for proper operation before fully tightening hardware. Make sure door latch fully closes against striker



(Fig 12) Reuse factory screws to attach mirror to Door with Spacer on back of door



(Fig 13) Factory mirror installed



Passenger/right Complete Installation