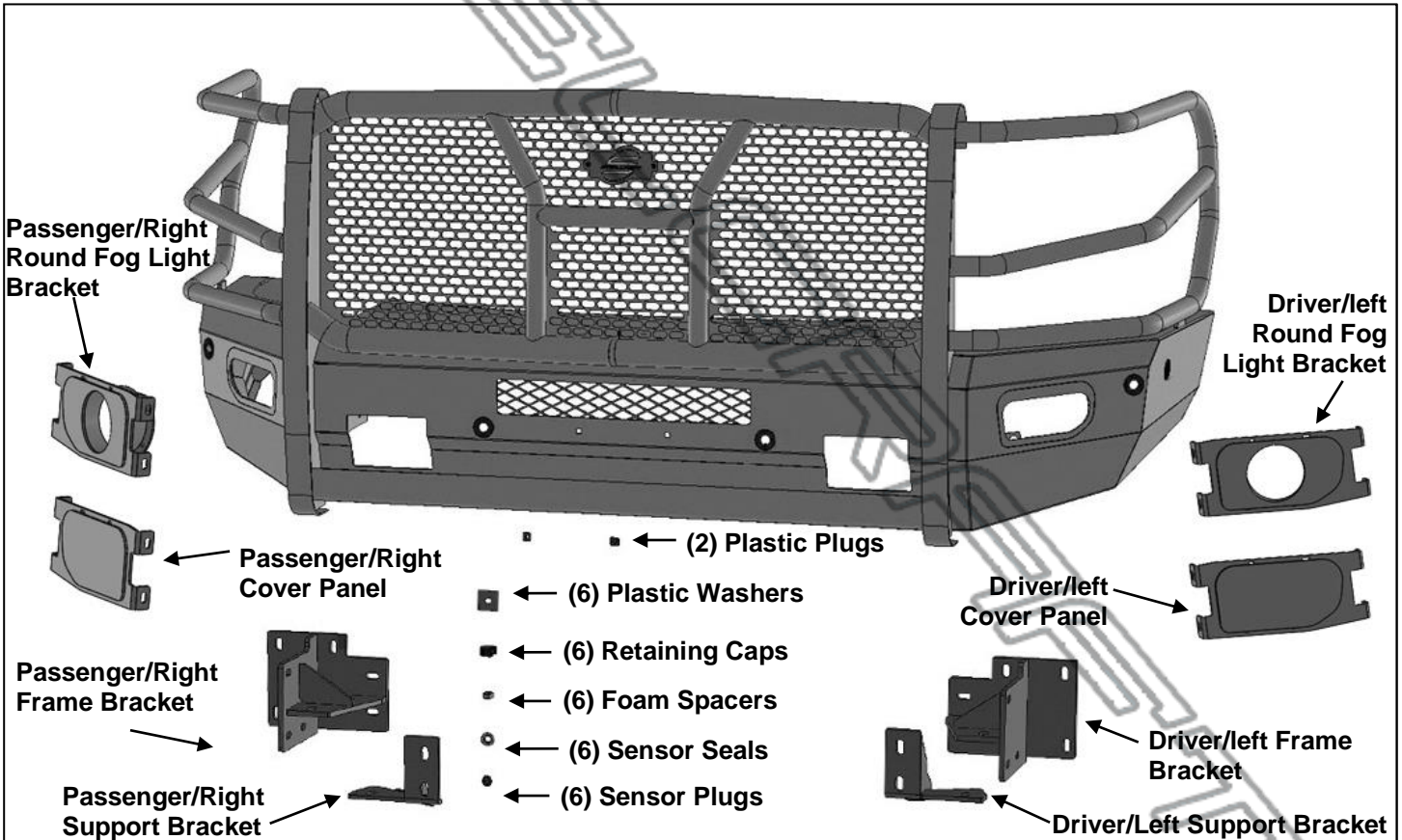


**ALUMINUM ELEVATION FRONT BUMPER
2019-23 RAM 1500**

PARTS LIST:

1	Elevation Bumper Assembly	10	14mm x 44mm x 3mm Flat Washers
1	Driver/left Frame Mounting Bracket	2	14mm Lock Washers
1	Passenger/right Frame Mounting Bracket	4	14mm Nylon Lock Nuts
1	Driver/left Support Bracket	16	12-1.75mm x 45mm Hex Bolts
1	Passenger/right Support Bracket	32	12mm x 32mm x 3mm STD Flat Washers
1	Driver/left Round Light Bracket	16	12mm Nylon Lock Nuts
1	Passenger/right Round Light Bracket	10	6-1.00mm x 25mm Hex Bolts
1	Driver/Left Cover Panel	20	6mm x 22mm x 2mm Flat Washers
1	Passenger/Right Cover Panel	10	6mm Nylon Lock Nuts
2	Plastic Plugs for license plate mount	8	4mm x 20mm Button Head Bolts
6	Sensor Hole Plugs	16	4mm x 8.65mm x .8mm Flat Washers
6	20mm x 10mm Foam Spacer	8	4mm Lock Washers
6	15.5mm x 25mm x 2mm Foam Front Seal	8	4mm Hex Nuts
6	Sensor Retaining Cap	12	4mm x 10mm Self Tapping Screws
1	Sensor Cover Kit	3	Wire Extensions
6	12mm Plastic Washers	1	2.5mm Allen Wrench
6	14-2mm x 50mm Hex Bolts		



RECOMMENDED TO REPLACE THE 12MM HEX BOLTS ON AN ANNUAL BASIS

PROCEDURE:

REMOVE CONTENTS FROM BOX. VERIFY ALL PARTS ARE PRESENT. READ INSTRUCTIONS CAREFULLY BEFORE STARTING INSTALLATION. BUMPER IS HEAVY, ASSISTANCE IS HIGHLY RECOMMENDED TO AVOID POSSIBLE INJURY OR DAMAGE TO THE VEHICLE.

**ALUMINUM ELEVATION FRONT BUMPER
2019-23 RAM 1500**

1. Remove the license plate and bracket.
2. Move to the driver/left side of the bumper. Remove the screws attaching the plastic splash guard to the outside of the lower frame. Repeat to remove the screws from the passenger/right side of the frame, **(Figure 1)**. On models equipped with active front air dam, temporarily remove the air dam assembly for easier access to bumper hardware, **(Figure 2)**.
3. On models with factory fog lights and/or sensors, unplug wiring harness leading to the bumper. Move harness away from bumper to avoid damage.
4. Place blocks or jack stands under the front bumper to support it during mounting bolt removal. Once the bumper has been safely supported, remove the (3) hex nuts attaching each bumper bracket to the end of the frame, **(Figure 2)**. **WARNING!** Assistance is required to hold the bumper in place during hardware removal to prevent the bumper from falling. Slide the bumper off of the end of the frame.
5. On models equipped with tow hooks, loosen the hex bolts and slide the tow hook out from under the hardware, **(Figures 3 & 4)**. **IMPORTANT:** The rear bolts attaching the tow hooks to the bottom of the frame are body mounting bolts and cannot be removed. Only loosen the bolts to remove the tow hook and to install the Support Brackets, **(Step 6, Figure 5)**.
6. Select the driver/left Support Bracket, **(Figure 5)**. Slide the inner end of the Support Bracket under the inner body bolt. Attach the forward end of the Support Bracket to the bottom of the frame with the included 14mm x 50mm Hex Bolt, 14mm Lock Washer and 14mm Flat Washer, **(Figure 5)**. **NOTE:** On models with tow hooks, reuse the factory hex bolt to attach the Support Bracket to the frame, **(Figures 4 & 5)**. Leave hardware loose.
7. Select the driver/left side Frame Mounting Bracket, **(Figure 6)**. Attach the Bracket to the end of the frame and Support Bracket with (5) 12mm x 45mm Hex Bolts, (10) 12mm Flat Washers and (5) 12mm Nylon Lock Nuts, **(Figure 6)**. Repeat this **Step** to attach the passenger/right side Support and Frame Mounting Brackets.
8. Carefully remove both fog light assemblies, all sensors and the wiring harness from the back of the OE bumper, **(Figure 7)**. Note location of each sensor for correct reinstallation.
Models without bumper sensors:
 - a. Insert (1) Plug into the outer hole in the Sensor Mount, **(Figure 8)**.
 - b. Repeat to plug remaining (5) mounting holes in Bumper. Continue to **Step 9**.**Models with bumper mounted sensors:**
 - a. Select the driver/left outer sensor. Remove the seal from the end of the sensor, **(Figure 9)**. Replace the seal with the included larger Foam Seal.
 - b. Push the sensor into the Mount from the back of the Bumper until it is flush with the front of the Mount.
 - c. Push (1) Foam Spacer onto the back end of the sensor, **(Figure 10)**.
 - d. Snap (1) Sensor Retaining Cap onto the Sensor Mount, **(Figure 10)**.
 - e. Repeat the previous **Steps** to install the remaining sensors in order from factory bumper.
 - f. Install the factory bumper wiring harness for sensors and fog lights as equipped. Run wiring harness over or through Brackets to reach sensors.
9. **Optional Center LED light installation** (sold separately). **NOTE:** It may be easier to install the center light (not included) on the Bumper before Bumper Assembly is attached to the vehicle.
 - a. Attach the light to the (2) tabs on the back of the Bumper.
 - b. Follow light manufacturer's instructions to adjust and wire the light.
10. With assistance, position the Bumper Assembly up to the outside of the Frame Brackets, **(Figure 11)**. Temporarily support the weight of the Bumper. **WARNING:** To avoid possible injury or damage to the vehicle, do not proceed until the Bumper is fully and safely supported.
11. Attach the Bumper to the Bracket with the included (3) 12mm x 45mm Hex Bolts, (6) 12mm Flat Washers, (3) 12mm Plastic Washers and (3) 12mm Nylon Lock Nuts, **(Figure 11)**. **NOTE:** Insert the Plastic Washers between the outer 12mm Flat Washers and the mounting plate on the back of the Bumper to minimize corrosion. Do not fully tighten hardware at this time. Repeat to attach the passenger/right side of the Bumper to the Bracket.
12. Level and adjust the bumper and fully tighten all hardware.

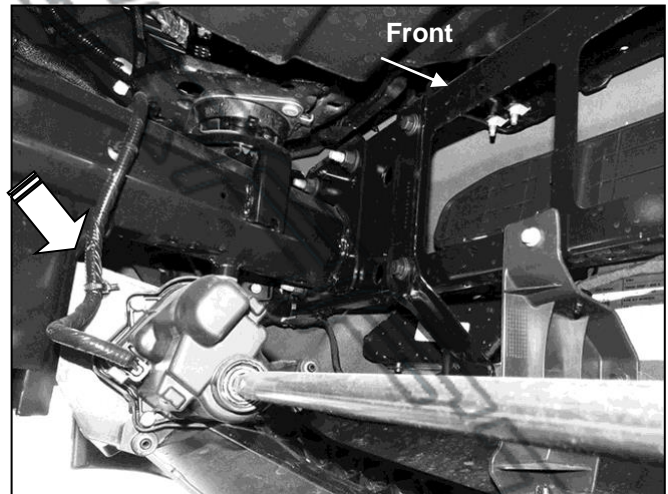
**ALUMINUM ELEVATION FRONT BUMPER
2019-23 RAM 1500**

13. On models with tow hooks, attach the driver/left tow hook to the Bumper Bracket with the included (2) 14mm Hex Bolts, (4) 14mm Flat Washers and (2) 14mm Nylon Lock Nuts, **(Figure 12)**. Repeat this Step to install the passenger/right tow hook.
2. On models with fog lights, determine style of fog light.
Models equipped with rectangular fog lights:
 - a. Select the driver/left fog light assembly. Attach the assembly to the (3) mounting tabs on the back of the Bumper with the included (3) 6mm Bolts, (6) 6mm Flat Washers and (3) 6mm Nylon Lock Nuts, **(Figure 13)**. Repeat this **Step** to attach the passenger/right fog light assembly.
 - b. Plug the wiring harness into the lights and secure it to the Bumper.**Models equipped with round fog lights.**
 - a. Remove the rectangular driver/left fog light mounting bracket from back of Bumper, **(Figure 14)**.
 - b. Reuse the hardware to attach the driver/left Round Fog Light Adapter Bracket to the back of the Bumper, **(Figure 15)**.
 - c. Remove fog light from plastic outer housing. Attach fog light to Adapter Bracket with (4) 4mm Screws, (8) 4mm Flat Washers, (4) 4mm Lock Washers and (4) 4mm Hex Nuts.
 - d. Repeat previous Steps to attach the passenger/right fog light.
 - e. Plug the wiring harness into the fog lights and secure it to the Bumper.**Models without fog lights.**
 - a. Remove the rectangular driver/left fog light mounting bracket from back of Bumper, **(Figure 14)**.
 - b. Reuse the hardware to attach the driver/left Cover Panel to the back of the Bumper, **(Figure 16)**.
 - c. Repeat previous Steps to attach the passenger/right Cover Panel.
14. Reinstall the active air dam if previously removed, **(Step 2)**.
15. On models with grille mounted camera, remove screen from center of grille on Bumper, **(Figure 17)**.
16. Use the included (2) push-in Plastic Nuts to attach the front license plate, (if required), to the (2) holes in the front of the Bumper, **(Figure 17)**.
17. Do periodic inspections to the installation to make sure that all hardware is secure and tight.

To protect your investment, do not use any type of polish or wax that may contain abrasives that could damage the finish. Mild soap may be used to clean the Bumper assembly.

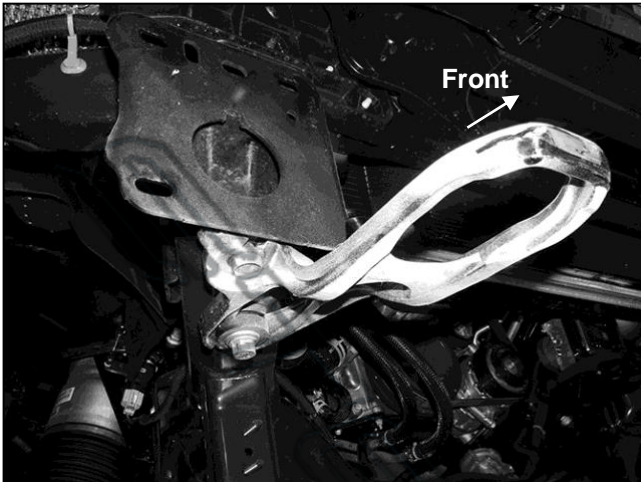


(Fig 1) Remove screws attaching plastic splash guard to frame (arrow). Passenger/right side pictured



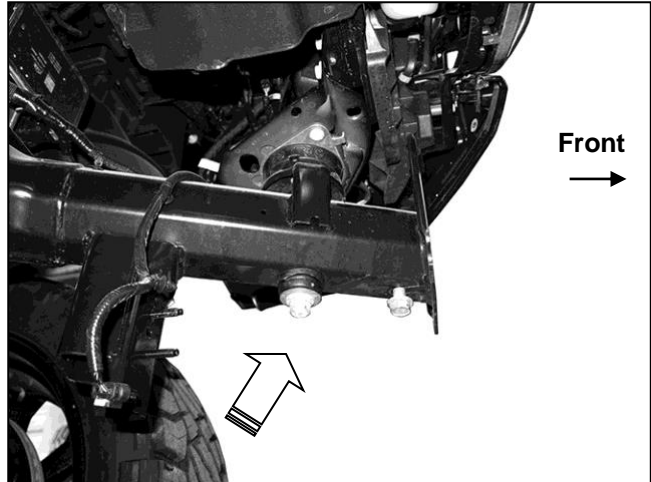
(Fig 2) Remove hex nuts attaching bumper. Temporarily remove active air dam for better access to bumper hardware. Back of bumper pictured

Driver Side Installation Pictured

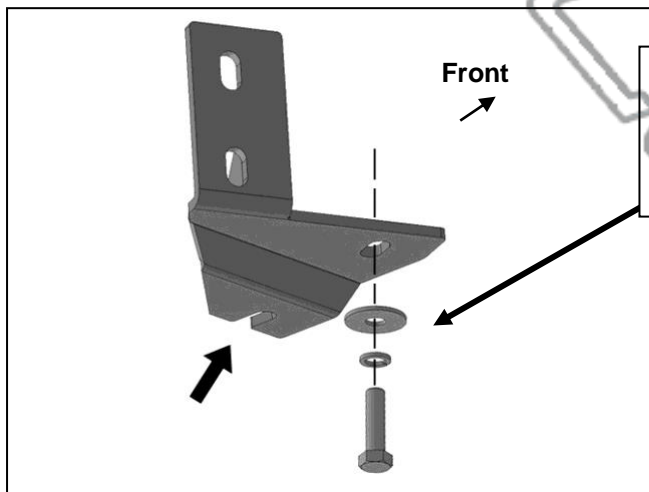


(Fig 3) Loosen hex bolts and slide off tow hook. **IMPORTANT:** Loosen but do not remove rear bolt (arrow). Passenger/right side pictured

WARNING! Do not remove bumper bolts unless the bumper is properly supported on blocks or stands or the bumper may fall.



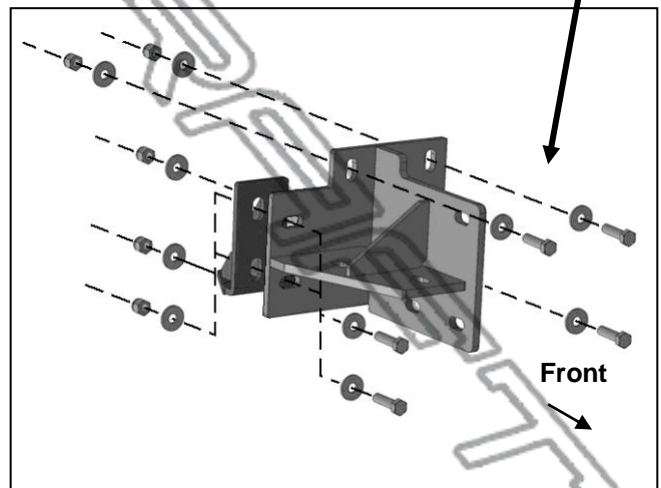
(Fig 4) **IMPORTANT:** Loosen but do not remove rear bolt (arrow). Driver/left side pictured



(Fig 5) Slide inner end of driver/left Support Bracket under body mount bolt. Attach Support Bracket to bottom of frame

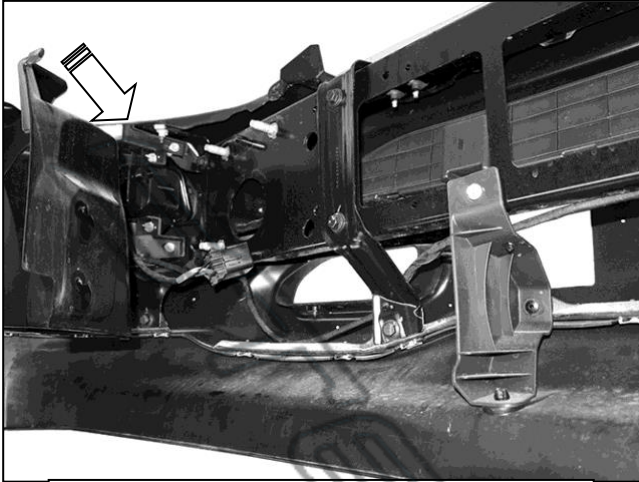
Reuse factory bolt (tow hook model) or
14mm x 50mm Hex Bolt
14mm Lock Washer
14mm Flat Washer

(5) 12mm x 45mm Hex Bolts
(10) 12mm Flat Washers
(5) 12mm Nylon Lock Nuts

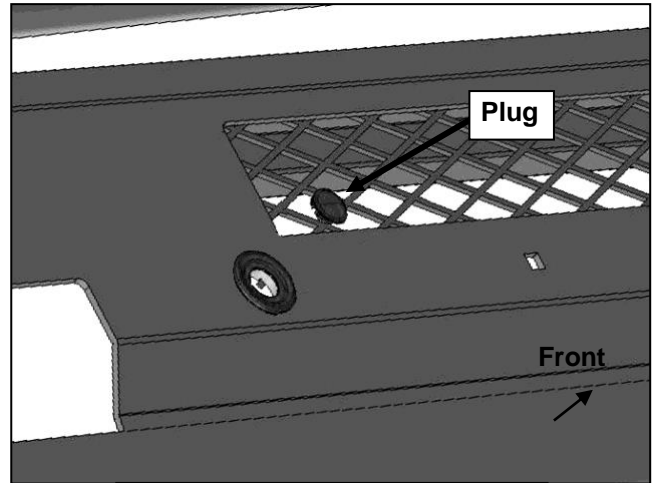


(Fig 6) Attach driver/left Frame Bracket to end of frame and Support Bracket

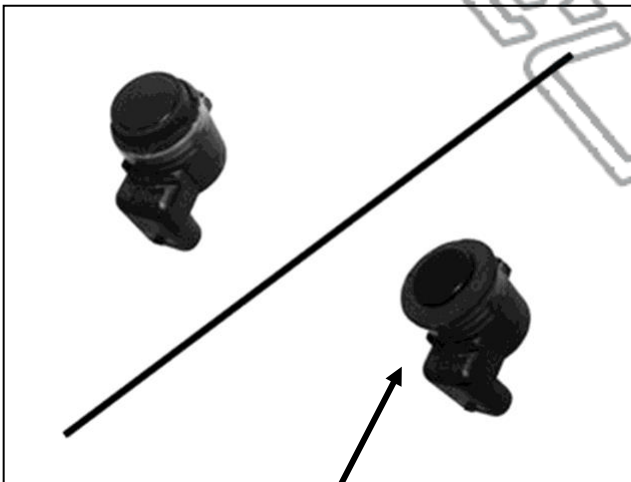
Driver Side Installation Pictured



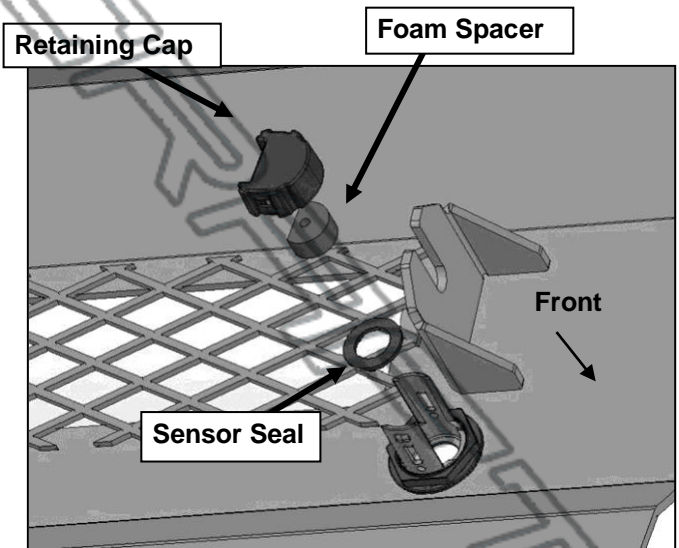
(Fig 7) Remove sensors, harness and fog lights as equipped from factory bumper



(Fig 8) Models without sensors, insert Plug into Mount



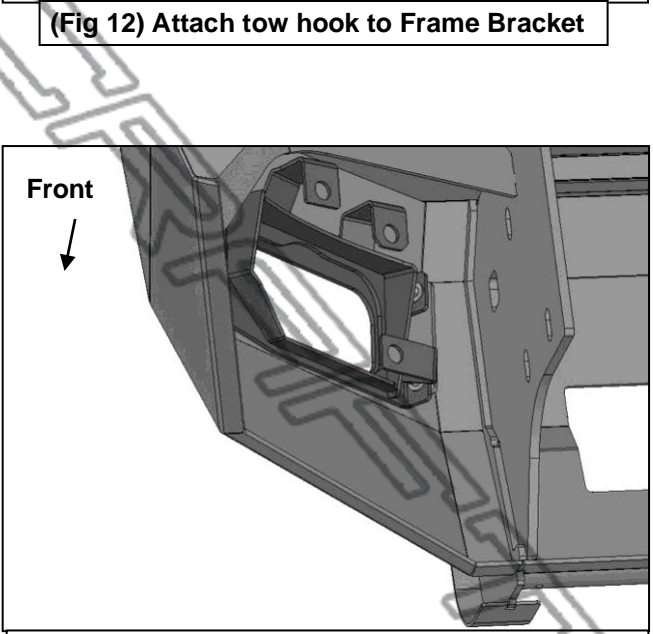
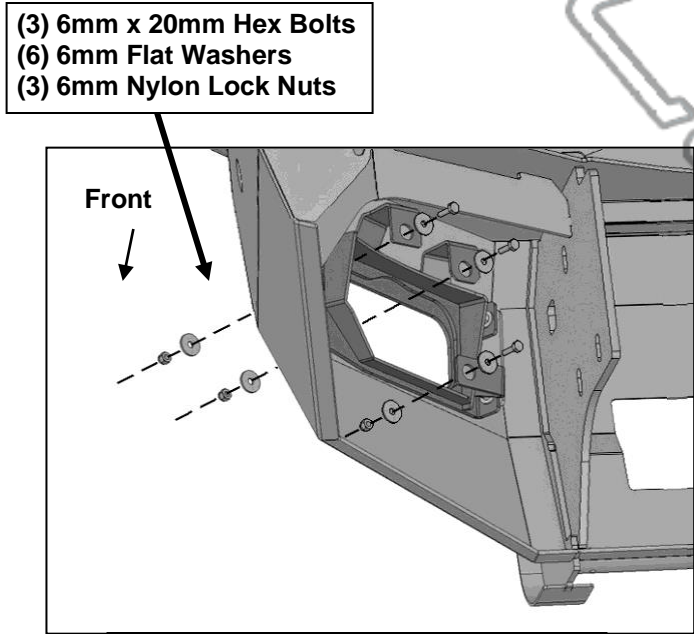
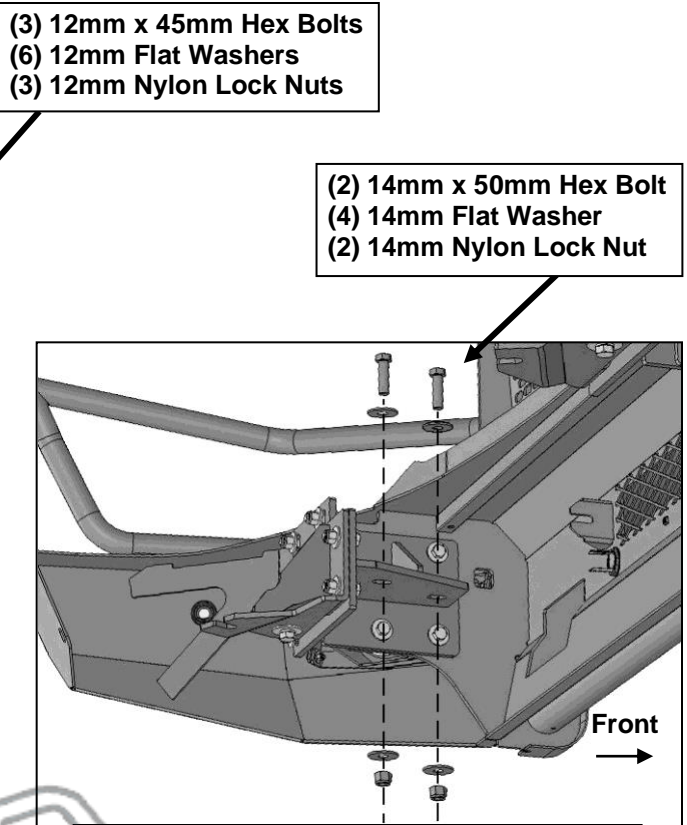
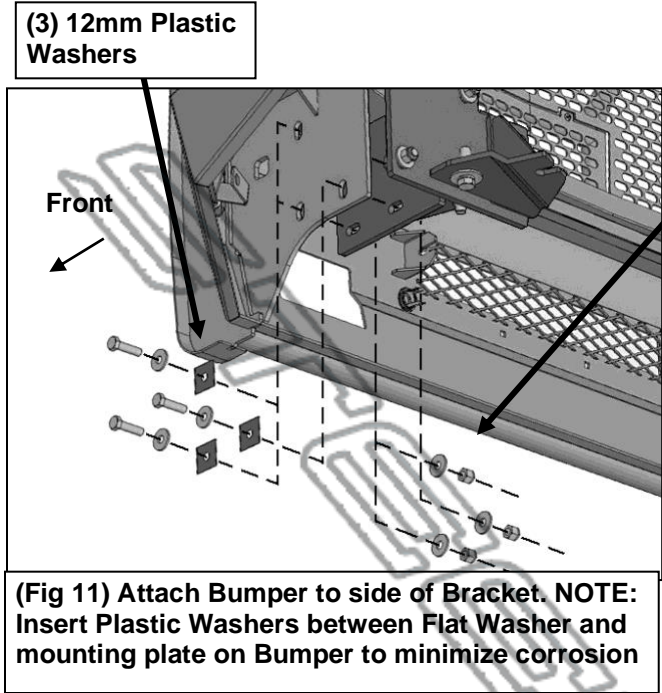
(Fig 9) Remove silicone seal from sensor. Slide large Seal over end of sensor (arrow)



(Fig 10) Slide sensor into sleeve, insert Foam Spacer and Clip to lock sensor in sleeve

WARNING! Do not crawl under bumper unless the bumper is properly supported on blocks or stands or the bumper may fall.

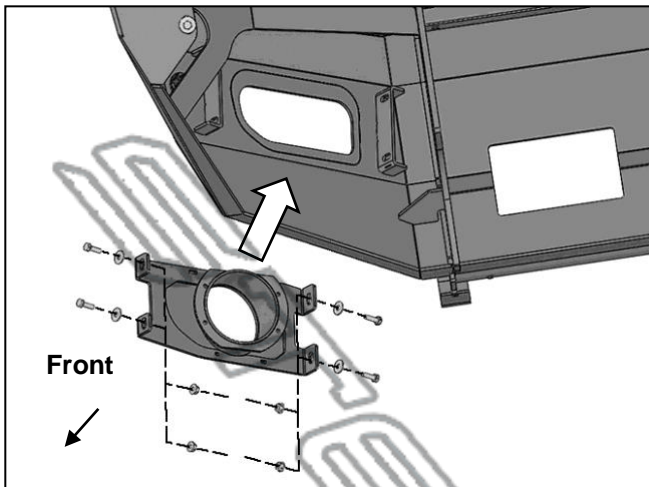
Driver Side Installation Pictured



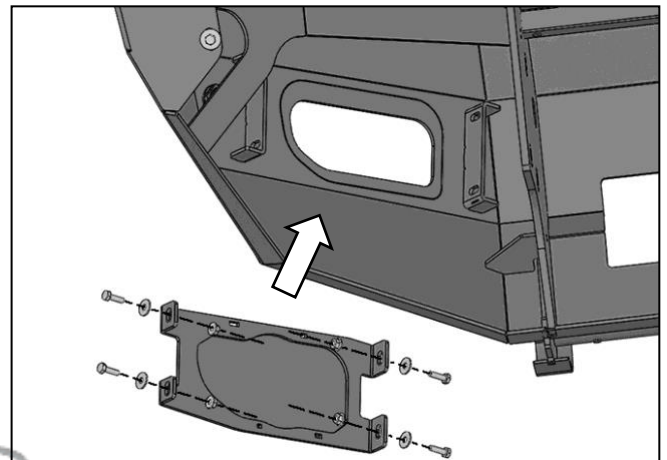
(Fig 13) Attach rectangular fog light to mounting tabs on back of Bumper

(Fig 14) On models with round fog light, remove rectangular light bracket from Bumper

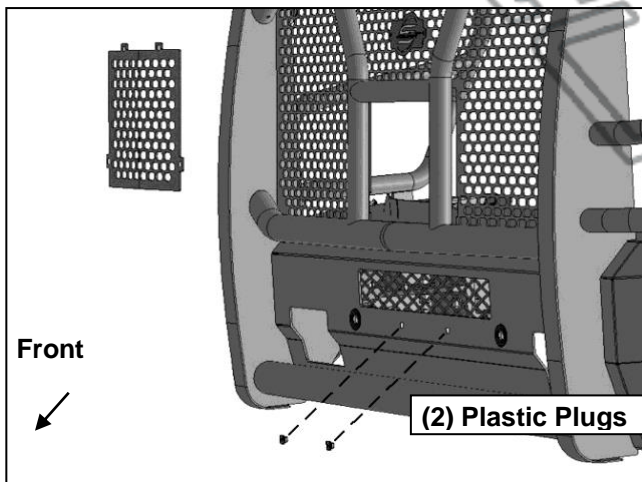
Driver Side Installation Pictured



(Fig 15) For models with round fog lights, Reuse the light mount hardware to attach the driver/left round light mount to the back of the Bumper



(Fig 16) For models without fog lights, Reuse the light mount hardware to attach the driver/left cover panel to the back of the Bumper



(Fig 17) Models with camera, remove screen. Insert Plastic Plugs to attach License Plate to Bumper

Special Note: While Aluminum does not rust, there is potential for galvanic corrosion if the coating is scratched between your bumper and the steel frame brackets + hardware (especially in extreme environments such as the coastlines or where road salt is used during winter). A visual inspection should be performed by the user at least on an annual basis to determine if excessive corrosion is present on or surrounding the hardware.

