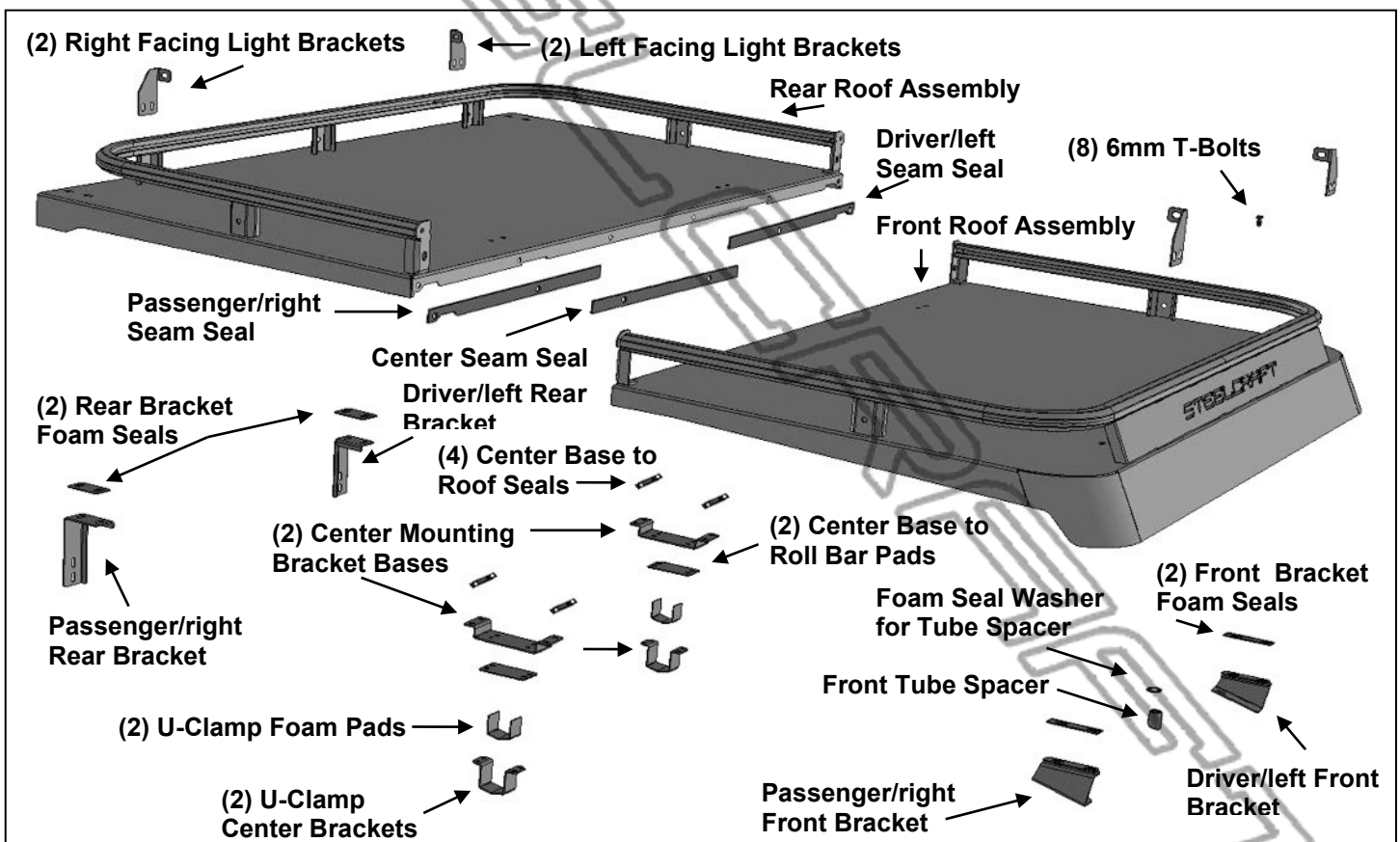


**ROOF PLATFORM RACK
2016-24 CAN-AM DEFENDER MAX 4-DOOR**

PARTS LIST:

| | | | |
|---|---|----|-----------------------------------|
| 1 | Front Roof Assembly | 2 | Rear Bracket to Roof Seals |
| 1 | Rear Roof Assembly | 1 | 10-1.5mm x 75mm Hex Bolt |
| 1 | Driver/left Front Mounting Bracket | 2 | 10-1.5mm x 30mm Hex Bolts |
| 1 | Passenger/right Front Mounting Bracket | 6 | 10mm x 27mm x 3mm Flat Washers |
| 1 | Front Center Mounting Tube Spacer | 3 | 10mm Lock Washers |
| 2 | Center Mounting Bracket Bases | 3 | 10mm Hex Nuts |
| 2 | Center Mounting Bracket U-Clamps | 24 | 8-1.25mm x 25mm Button Head Bolts |
| 1 | Driver/left Rear Mounting Bracket | 4 | 8-1.25mm x 16mm Hex Bolts |
| 1 | Passenger/right Rear Mounting Bracket | 52 | 8mm x 22mm x 2mm Flat Washers |
| 2 | Left Facing LED Light Brackets | 28 | 8mm Lock Washers |
| 2 | Right Facing LED Light Brackets | 24 | 8mm Hex Nuts |
| 1 | Driver/left Center Roof Foam Seam Seal | 8 | 6-1.0mm x 20mm Button Head Bolts |
| 1 | Center Roof Foam Seam Seal | 8 | 6-1.0mm x 20mm T-Bolts |
| 1 | Passenger/right Center Roof Foam Seam Seal | 24 | 6mm x 12mm x 1.6mm Flat Washers |
| 2 | Front Left/Right Bracket Base to Roof Seals | 16 | 6mm Lock Washers |
| 1 | Front Center Spacer Foam Seal Washer | 16 | 6mm Hex Nuts |
| 4 | Center Base to Roof Seals | 1 | 5mm Wrench |
| 2 | Center Base to Roll Bar Pads | 1 | 4mm Wrench |
| 2 | Center U-Clamp Pads | | |



PROCEDURE:

REMOVE CONTENTS FROM BOX. VERIFY ALL PARTS ARE PRESENT. READ INSTRUCTIONS CAREFULLY BEFORE STARTING INSTALLATION. ASSISTANCE IS RECOMMENDED.

1. Start installation at the back of the roll cage. Remove the factory bolts attaching the rear of the factory roof to the top of the roll cage, **(Figure 1)**. Move to the center and remove the (4) clamps attaching the roof to the center of the roll cage, **(Figure 2)**. Continue to the front and remove the hardware attaching

ROOF PLATFORM RACK
2016-24 CAN-AM DEFENDER MAX 4-DOOR

the front of the roof to the top of the roll bar panel, **(Figure 3)**. With assistance, remove the factory roof, **(Figure 4)**.

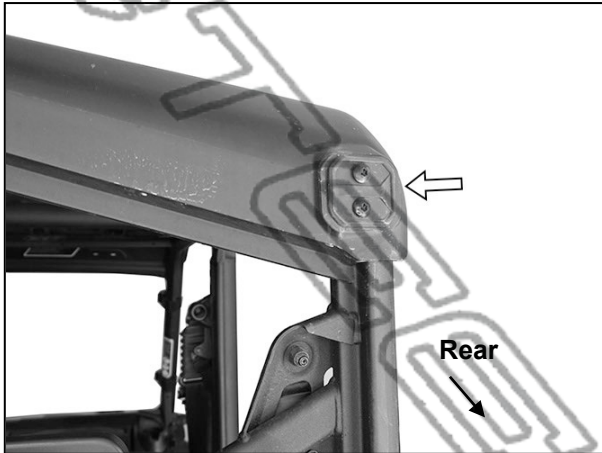
2. Carefully unwrap the front and rear roof assemblies. Place the roof assemblies on a clean, soft surface.
3. Apply the (3) adhesive backed foam Seam Seals to the center bent flange on the roof assemblies, **(Figure 5)**. **NOTE:** Line up the Seam Seals with the mounting holes in the Roof Assemblies. When properly installed, the (2) outer and center Seam Seals will form one long seal the width of the roof.
4. Attach the bottom of the front Roof Assembly to the rear Roof Assembly with the included (6) 8mm x 25mm Button Head Bolts, (12) 8mm Flat Washers, (6) 8mm Lock Washers and (6) 8mm Hex Nuts, **(Figures 6 & 7)**. Do not fully tighten hardware at this time.
5. Attach the outer rail on the top of the front Roof Assembly to the rear Roof Assembly with the included (2) 8mm x 25mm Button Head Bolts, (4) 8mm Flat Washers, (2) 8mm Lock Washers and (2) 8mm Hex Nuts, **(Figure 8)**. Do not fully tighten hardware at this time.
6. Slowly and evenly snug but do not fully tighten the hardware at this time.
7. Select (1) Center Base Bracket and (2) Bracket to Roof Foam Seals, **(Figure 9)**. Attach the adhesive backed foam seals to the Base Bracket, **(Figure 10)**. Attach the Base Bracket to the bottom of the passenger/right side of the Roof Assembly with the included (4) 8mm x 25mm Button Head Bolts, (8) 8mm Flat Washers, (4) 8mm Lock Washers and (4) 8mm Hex Nuts, **(Figure 10)**. Repeat this **Step** to attach the remaining Base Bracket and Seals to the driver/left side of the roof assembly. Select the (2) rectangular 4-hole foam pads, **(Figure 9)**. Attach the pads to the Base Brackets, **(Figure 11)**.
8. Slowly and evenly tighten the front and rear roof assembly hardware and Base Bracket hardware at this time. **NOTE:** Keep the front and rear roof assemblies in line while tightening hardware.
9. Move to the front of the front Roof Assembly. Select the passenger/right outer front Bracket and (1) 2-hole adhesive backed foam seal, **(Figures 9 & 12)**. Attach the Seal to the top of the front Bracket. Attach the Bracket to the bottom of the roof assembly with (2) 8mm x 25mm Button Head Bolts, (4) 8mm Flat Washers, (2) 8mm Lock Washers and (2) 8mm Hex Nuts, **(Figure 12)**. Fully tighten hardware. Repeat this **Step** to attach the driver/left outer front Bracket and Seal to the Roof.
10. Move to the rear of the rear Roof Assembly. Select the passenger/right outer rear "L" Bracket and (1) 2-hole adhesive backed foam Seal, **(Figures 9 & 13)**. Attach the Seal to the top of the rear Bracket. Attach the Bracket to the bottom of the roof assembly with (2) 8mm x 25mm Button Head Bolts, (4) 8mm Flat Washers, (2) 8mm Lock Washers and (2) 8mm Hex Nuts, **(Figure 13)**. Fully tighten hardware at this time. Repeat this **Step** to attach the driver/left rear Bracket and Seal to the bottom of the roof.
11. With assistance, carefully place the Roof Assembly onto the top of the vehicle. Line up the rear Brackets on the Roof Assembly with the mounting holes in the roll bar. Reuse the (4) factory bolts to attach the rear Brackets to the roll bar, **(Figure 14)**. Do not tighten hardware at this time.
12. Move to the center of the Roof Assembly, **(Figure 15)**. Select (1) U-Clamp Bracket and (1) Foam Pad Strip, **(Figures 9 & 16)**. Apply the Foam Pad to the inside of the U-Clamp. Attach the U-Clamp to the Base Bracket with the included (4) 6mm x 20mm Button Head Bolts, (8) 6mm Flat Washers, (4) 6mm Lock Washers and (4) 6mm Hex Nuts, **(Figure 17)**. Leave hardware loose at this time. Repeat this **Step** to attach the remaining U-Clamp and Pad, **(Figure 18)**.
13. Move up to the front of the Roof Assembly. Select the Center Tube Spacer and Foam Sealing Washer. Apply the Foam Seal to the top, square cut end of the Tube Spacer. Insert the Tube Spacer between the Roof and the top of the roll bar cross panel. Attach the center of the roof assembly to the Tube Spacer with (1) 10mm x 75mm Hex Bolt, (2) 10mm Flat Washers, (1) 10mm Lock Washer and (1) 10mm Hex Nut, **(Figure 19)**. Attach the front outer Brackets on the Roof Assembly to the roll bar cross panel with the included (2) 10mm x 30mm Hex Bolt, (4) 10mm Flat Washers, (2) 10mm Lock Washer and (2) 10mm Hex Nut, **(Figure 20)**.
14. Level and adjust the Roof Assembly and tighten all hardware.
15. LED bar style light bracket installation, **(Optional)**.
 - a. Select (4) 6mm T-Bolts. Insert the T-Bolts into the opening on the inside of the top rail on the Roof Assembly, **(Figure 21)**. Slide the T-Bolts into position, (2) per side.
 - b. Select (1) Left Facing Bracket. Attach the Bracket to the (2) T-Bolts with the included (2) 6mm Flat Washers and (2) 6mm Lock Washers and (2) 6mm Hex Nuts, **(Figure 22)**. Leave hardware loose.
 - c. Repeat previous **Steps** to attach (1) Right Facing Bracket.

**ROOF PLATFORM RACK
2016-24 CAN-AM DEFENDER MAX 4-DOOR**

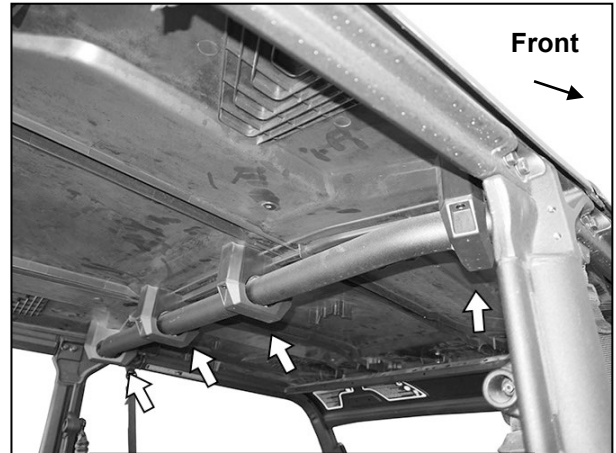
- d. Attach the LED bar style light to the Brackets with the hardware included with the light or the included (2) 8mm x 16mm Hex Bolts, (2) 8mm Lock Washers and (2) 8mm Flat Washers, **(Figure 22)**. Line up the light with the Roof and fully tighten all hardware. **NOTE:** Lights can be installed on front, rear or side of Roof Assembly.

16. Do periodic inspections to the installation to make sure that all hardware is secure and tight.

To protect your investment, Do not use any type of polish or wax that may contain abrasives that could damage the finish. Mild soap may be used to clean the Roof Platform assembly.



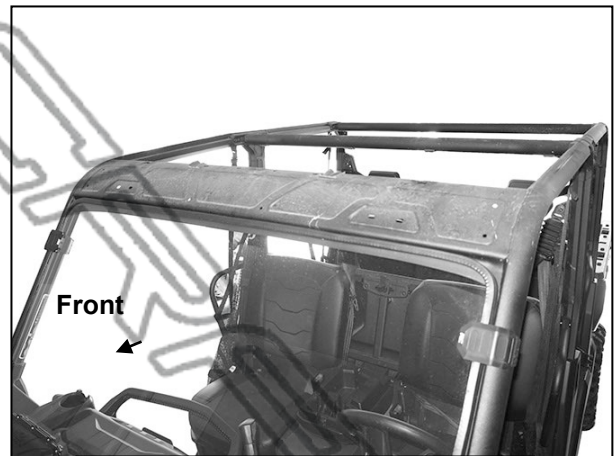
(Fig 1) Remove factory bolts from both sides attaching top to roll cage (arrow)



(Fig 2) Remove factory clamps from center of roof (arrows)

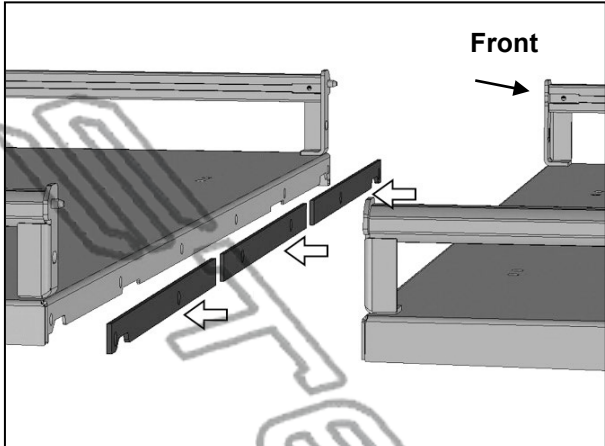


(Fig 3) Remove hardware attaching front of roof to top of roll cage cross panel

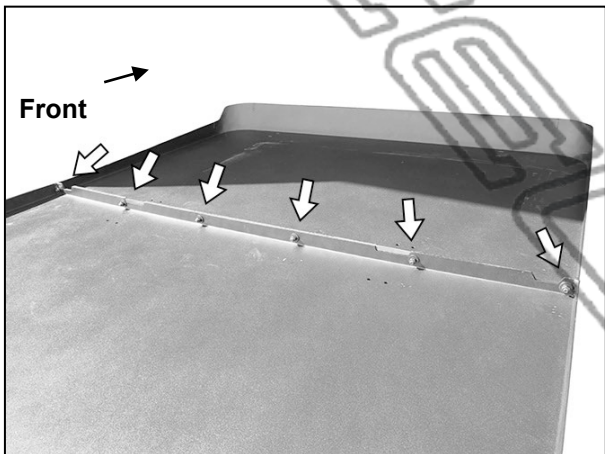


(Fig 4) Remove roof from vehicle

**ROOF PLATFORM RACK
2016-24 CAN-AM DEFENDER MAX 4-DOOR**



(Fig 5) Apply 3pc Adhesive Backed Foam Seam Seals to Roof Assembly joint (arrows)



(Fig 7) Attach bottom of Front Roof assembly to Rear Roof assembly

○ ← (1) Foam Seal Washer-Tube Spacer

▬ ← (2) Front Bracket Seals

▬ ← (2) Center Base Bracket Pads

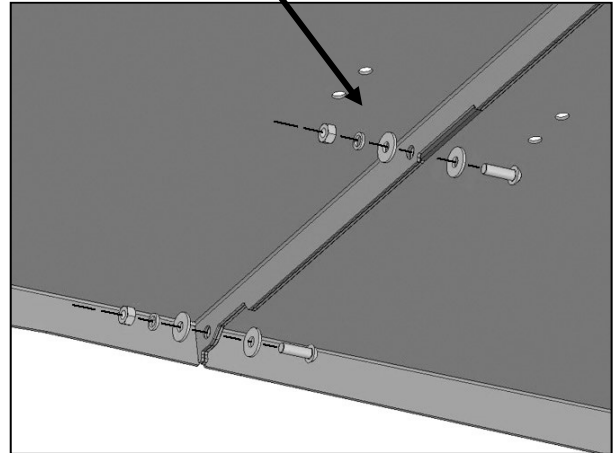
▬ ← (2) Center U-Clamp Pads

▬ ← (4) Center Base to Roof Seals

(2) Rear Bracket Seals → ▬

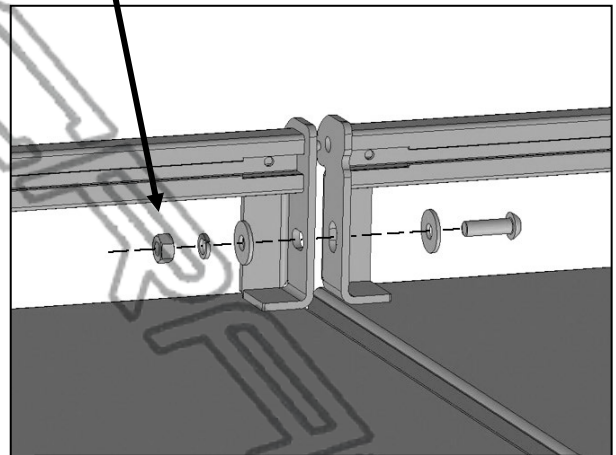
(Fig 9) Foam Pad/Seal identification chart

(6) 8mm x 25mm Button Head Bolts
(12) 8mm Flat Washers
(6) 8mm Lock Washers
(6) 8mm Hex Nuts



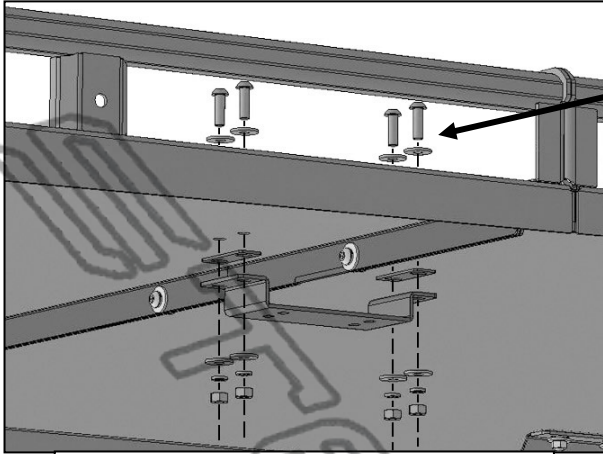
(Fig 6) Attach bottom of Front Roof assembly to Rear Roof assembly

8mm x 25mm Button Head Bolt
(2) 8mm Flat Washers
8mm Lock Washer
8mm Hex Nut



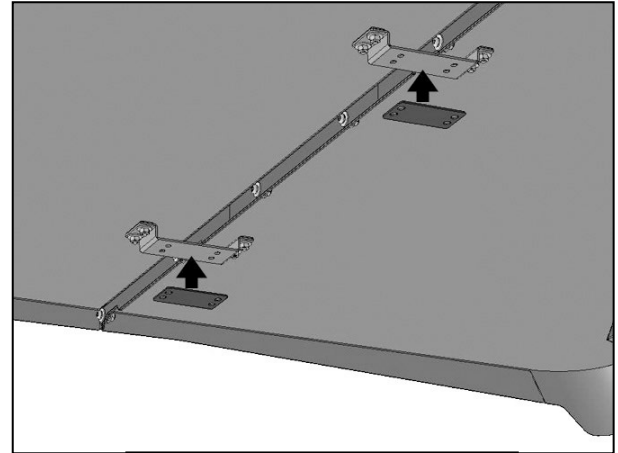
(Fig 8) Attach top brackets on Front Roof assembly to Rear Roof assembly

**ROOF PLATFORM RACK
2016-24 CAN-AM DEFENDER MAX 4-DOOR**

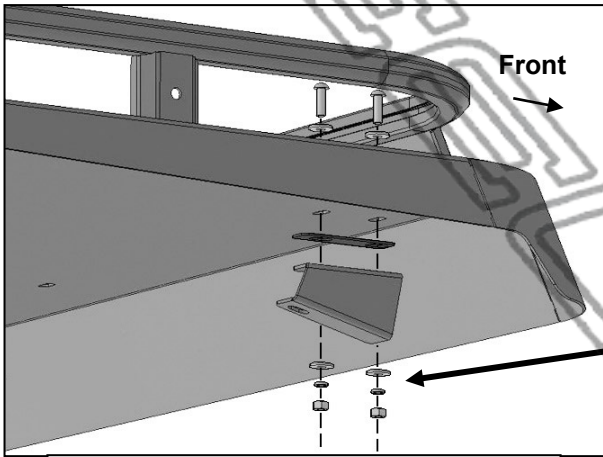


- (4) 8mm x 25mm Button Head Bolts
- (8) 8mm Flat Washers
- (4) 8mm Lock Washers
- (4) 8mm Hex Nuts

(Fig 10) Attach Center Base Brackets and Seals to bottom of Roof

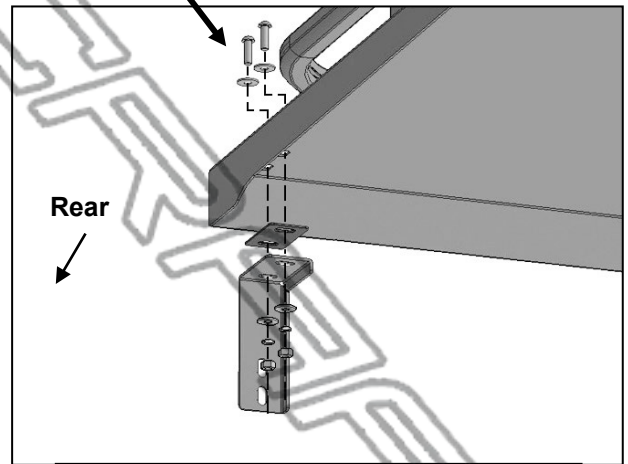


(Fig 11) Apply Foam Pads to Center Base Brackets



- (2) 8mm x 25mm Button Head Bolts
- (4) 8mm Flat Washers
- (2) 8mm Lock Washers
- (2) 8mm Hex Nuts

(Fig 12) Attach Front Bracket and Seal to bottom of front Roof Assembly (passenger/right side illustrated)

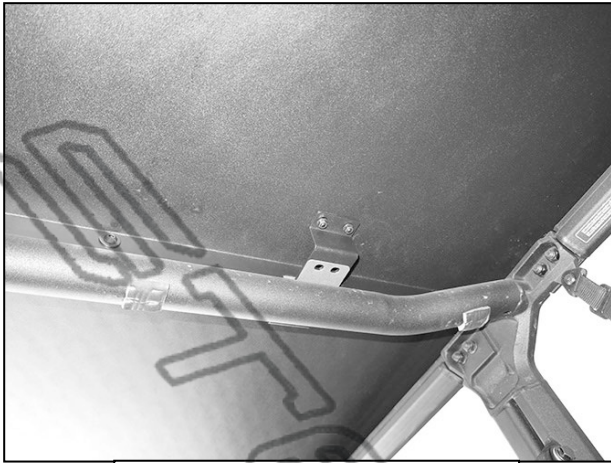


(Fig 13) Attach Rear Brackets and Seals to bottom of Rear Roof assembly (passenger/right side illustrated)

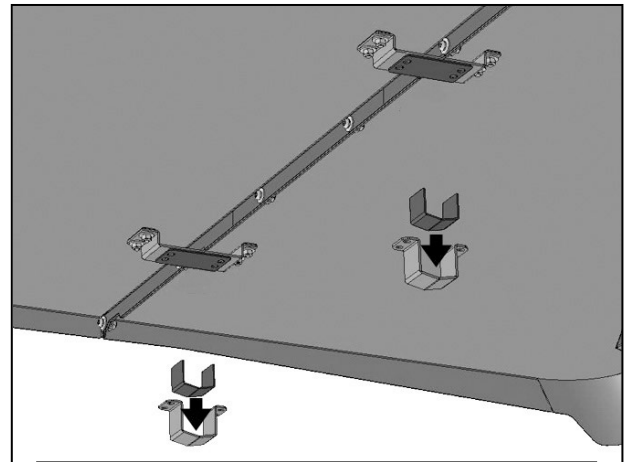


(Fig 14) Reuse the (4) factory bolts to attach rear Brackets on Roof to roll cage (arrows)

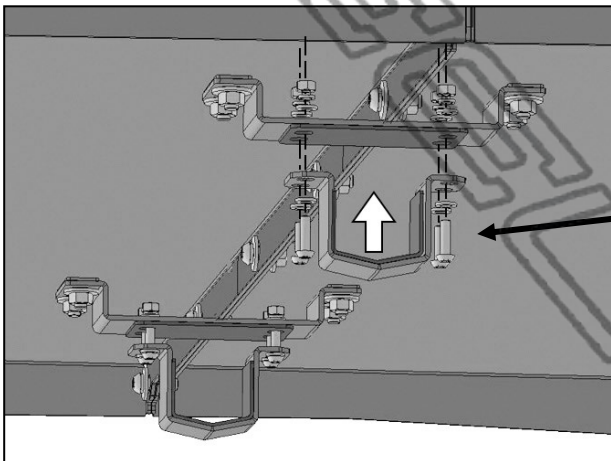
**ROOF PLATFORM RACK
2016-24 CAN-AM DEFENDER MAX 4-DOOR**



(Fig 15) Center Base Bracket and Pad resting on roll cage

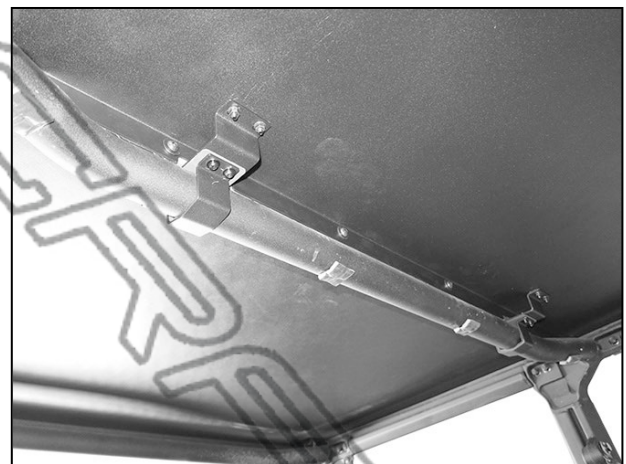


(Fig 16) Apply Pads to inside of U-Clamps

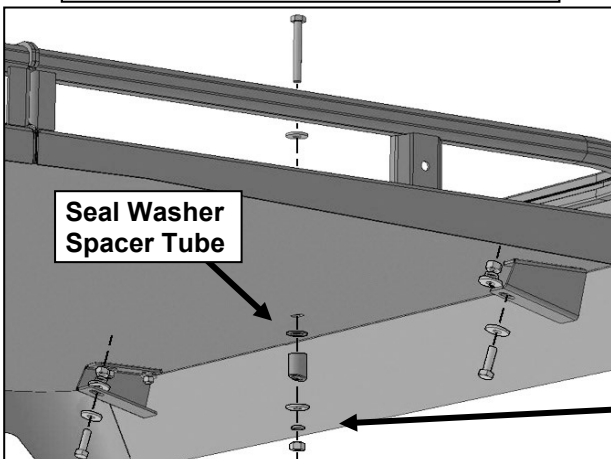


(Fig 17) Slide U-Clamps over roll bar. Attach U-Clamps to Base Brackets

- (4) 6mm x 20mm Button Head Bolts
- (8) 6mm Flat Washers
- (4) 6mm Lock Washers
- (4) 6mm Hex Nuts



(Fig 18) Slide U-Clamps over roll bar. Attach U-Clamps to Base Brackets

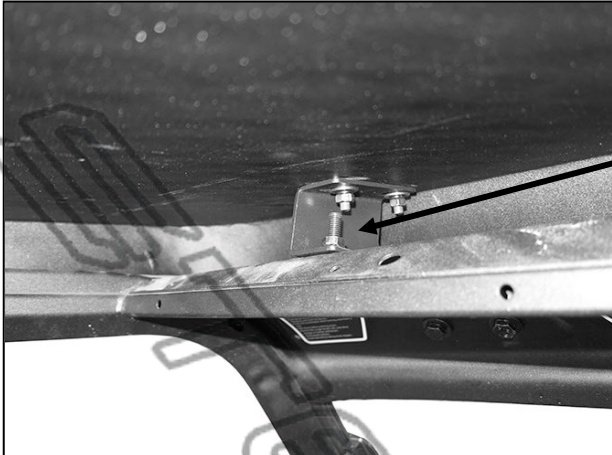


**Seal Washer
Spacer Tube**

- 10mm x 75mm Hex Bolt
- (2) 10mm Flat Washers
- 10mm Lock Washer
- 10mm Hex Nut

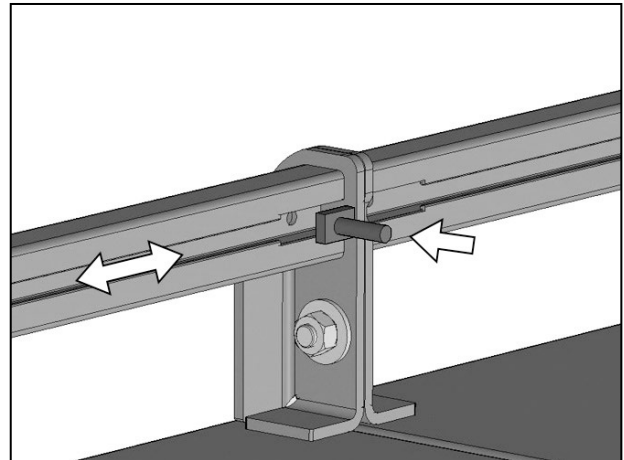
(Fig 19) Apply Seal Washer to square cut end of Spacer Tube. Insert Spacer Tube with Seal toward Roof, between center of Roof and cross panel. Attach center of Roof to cross panel

**ROOF PLATFORM RACK
2016-24 CAN-AM DEFENDER MAX 4-DOOR**



**10mm x 30mm Hex Bolt
(2) 10mm Flat Washers
10mm Lock Washer
10mm Hex Nut**

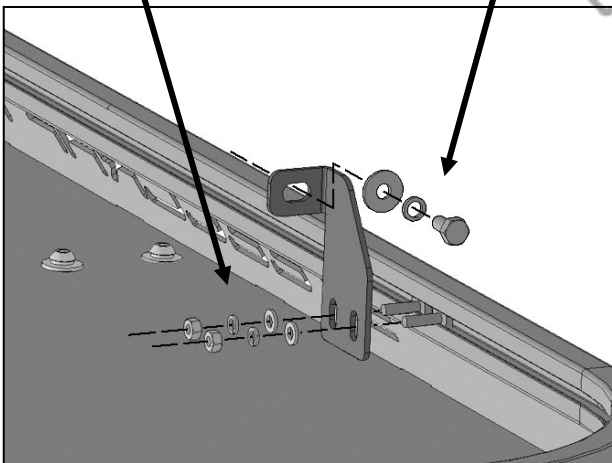
(Fig 20) Attach outer front Brackets on Roof to top of roll bar cross panel (driver/left side pictured. Also see Figure 19)



(Fig 21) Insert T-Bolts into channel. Slide T-Bolts into desired front, rear or side location

**(2) 6mm Flat Washers
(2) 6mm Lock Washers
(2) 6mm Hex Nuts**

**8mm x 16mm Hex Bolt
8mm Lock Washer
8mm Flat Washer**



(Fig 22) Attach LED Light Bracket to T-Bolts (Left Facing Bracket illustrated)



Complete Installation