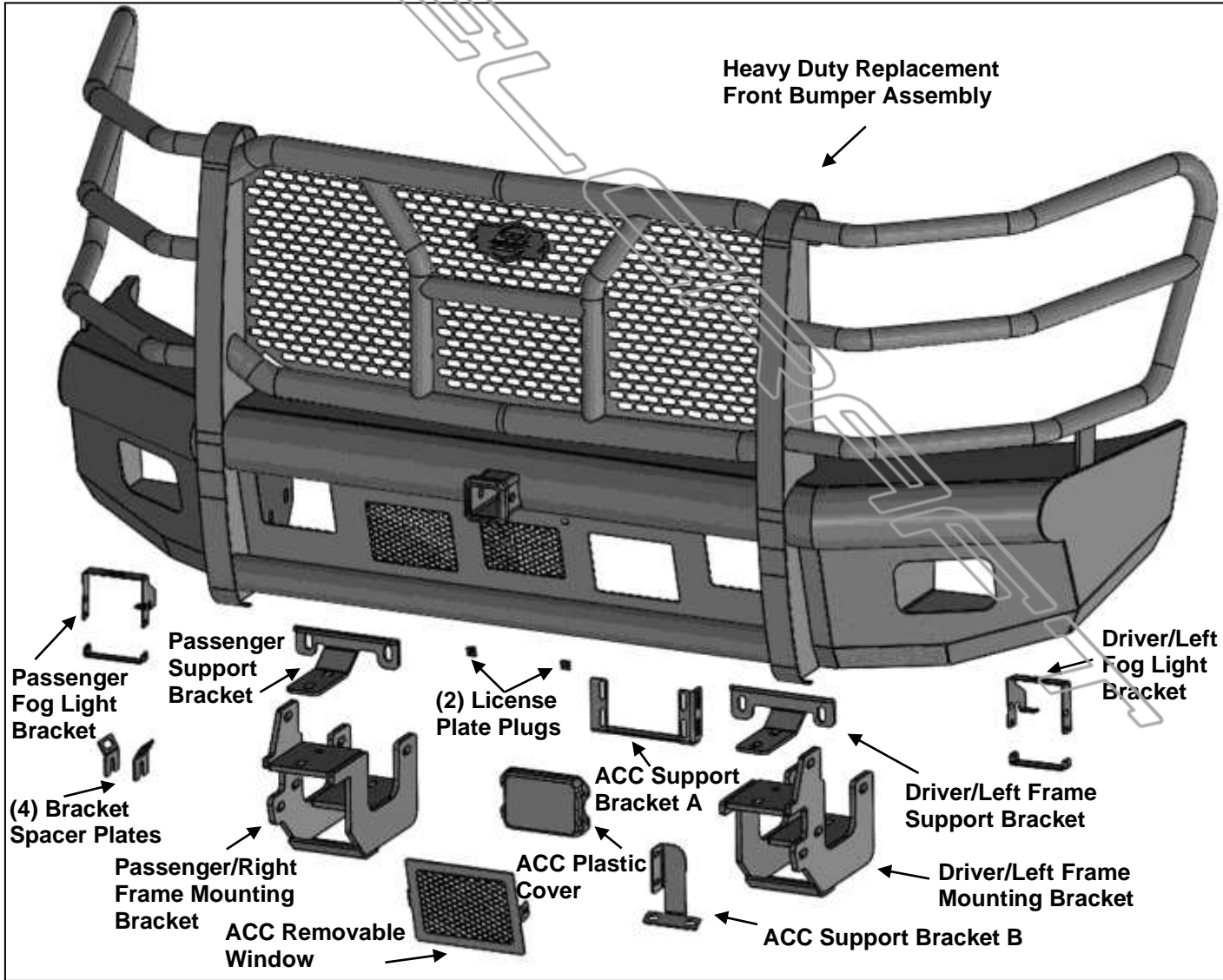


**HEAVY DUTY FRONT BUMPER
2015-17 FORD F150**

PARTS LIST:

1	Heavy Duty Front Bumper Assembly	14	12-1.75mm x 45mm Hex Bolts
1	Driver/Left Frame Mounting Bracket	28	12mm x 37mm x 3mm Flat Washers
1	Passenger/Right Frame Mounting Bracket	12	12-1.75mm Nylon Lock Nuts
1	Driver/Left Frame Support Bracket	4	12mm Lock Washers
1	Passenger/Right Frame Support Bracket	4	8-1.25mm x 20mm Hex Bolts
4	Bracket Spacer Plates	8	8mm x 24mm x 2mm Flat Washers
1	Driver/Left Fog Light Upper U-Bracket	4	8mm Nylon Lock Nuts
1	Passenger/Right Fog Light Upper U-Bracket	2	6mm x 25mm Hex Bolts
2	Lower U-Brackets (Fog Lights)	3	6mm x 25mm Button Head Bolts
1	Adaptive Cruise Control (ACC) Removable Window	4	6mm x 16mm Hex Bolts
1	ACC Support Bracket A	11	6mm x 18mm x 1.6 Flat Washers
1	ACC Support Bracket B	9	6mm Lock Washers
1	ACC Plastic Cover	5	6mm Hex Nuts
2	Plastic Plugs for license plate mount	1	Allen Wrench S=4
2	12mm Double Nut Plates	1	Allen Wrench S=2.5
2	12-1.75mm x 170mm Hex Bolts		



PROCEDURE:

REMOVE CONTENTS FROM BOX. VERIFY ALL PARTS ARE PRESENT. READ INSTRUCTIONS CAREFULLY BEFORE STARTING INSTALLATION. BUMPER IS HEAVY, ASSISTANCE IS HIGHLY RECOMMENDED TO AVOID POSSIBLE INJURY OR DAMAGE TO THE VEHICLE.

1. Remove the license plate and bracket. On models with factory fog lights, unplug both lights and remove the complete light assemblies from back of bumper, **(Figure 1)**. Release the wiring harness from the clips attached to the back of the bumper. Move all wiring harnesses away from bumper.
2. Next, remove the plastic bumper pad assembly, **(Figure 2)**. **NOTE:** Release metal clips from back of bumper to remove bumper pad assembly. It may be easier to access bumper hardware with plastic air dam removed from bottom of bumper.
3. Place blocks or jack stands under the front bumper to support it during mounting bolt removal. Once the bumper has been safely supported, remove the large hex nut from the back of each bumper bracket, **(Figure 3)**. Next, from the front of the bumper, remove the (2) factory hex nuts attaching the bumper to each bumper bracket, **(Figure 4)**. **WARNING!** Assistance is required to hold the bumper in place during bolt removal to prevent the bumper from falling. Carefully slide the bumper off over the tow hooks.
4. Remove the driver side tow hook, (if equipped), from the bottom of the frame, **(Figure 5)**. Also, remove the factory double bolt plate. Repeat to remove the passenger side double bolt plate and tow hook if equipped.
5. Next, select the driver side Frame Mounting Bracket. Insert the included (1) 12mm Double Nut Plate into the open end of the frame, **(Figures 5 & 6)**. On models with tow hook reuse the factory double nut plate, **(Figures 5 & 6)**. Attach the Frame Bracket to the bottom of the frame and Double Nut Plate with (2) 12mm x 45mm Hex Bolts, (2) 12mm Lock Washers and (2) 12mm Flat Washers, **(Figure 6)**. Leave hardware loose at this time.
6. Select the driver side Frame Support Bracket, **(Figure 7)**. Place the Support Bracket on top of the Frame Mounting Bracket. Insert the factory double bolt plate through the Support Bracket and bumper flange, **(Figure 8)**. Reuse the factory hex nuts to secure the Support Bracket to the factory double bolt plate. Do not fully tighten at this time.
7. Insert (1) 12mm x 175mm Long Hex Bolt with (1) 12mm Flat Washer through the outside of the mounting tab on the Frame Bracket, through the frame and inside tab. Secure with (1) 12mm Flat Washer and (1) 12mm Nylon Lock Nut. Insert (1) Spacer Plate down between each mounting tab and the side of the frame, **(Figures 9 & 10)**. Do not fully tighten hardware.
8. Next, on models with tow hooks, attach the tow hook to the inside of the frame Bracket and Support Bracket with the included (2) 12mm x 45mm Hex Bolts, (4) 12mm Flat Washers and (2) 12mm Nylon Lock Nuts, **(Figure 9)**. On models without tow hooks, attach the Support Bracket directly to the top of the Frame Bracket with the same hardware. Do not tighten hardware at this time.
9. Repeat **Steps 5—8** to install the passenger side Frame Bracket assembly.
10. Determine if vehicle is equipped with an adaptive cruise control, (ACC). **NOTE:** Install the ACC assembly onto Bumper before mounting Bumper to end of frame.

Vehicles without ACC:

- a. Attach the ACC Removable Window to the back of the bumper using (2) 6mm x 25mm Hex Bolts, (4) 6mm Flat Washers, (2) 6mm Lock Washers and (2) 6mm Hex Nuts, **(Figure 11)**.
- b. Continue to **Step 11**.

Vehicles with ACC:

- a. Select the ACC Plastic Cover and the ACC Support Bracket A, **(Figure 12)**. Insert (3) 6mm x 25mm Button Head Bolts through the (3) holes on the ACC Plastic Cover, the ACC Support Bracket A and out through the adaptive cruise control. Secure with (3) 6mm Flat Washers, (3) 6mm Lock Washers and (3) 6mm Hex Nuts, **(Figure 12)**. **NOTE:** To prevent the Plastic Cover from tearing, do not over tighten Button Head Bolts.
- b. Next, attach the ACC Support Bracket B to Bracket A using (2) 6mm x 25mm Hex Bolts, (4) 6mm Flat Washers, (2) 6mm Lock Washers and (2) 6mm Hex Nuts, **(Figure 13)**.
- c. Attach the ACC assembly to the back of the bumper using (2) 8mm x 20mm Hex Bolts, (4) 8mm Flat Washers and (2) 8mm Nylon Lock Nuts, **(Figure 14)**.
- d. Tighten all ACC hardware and continue to **Step 11**.

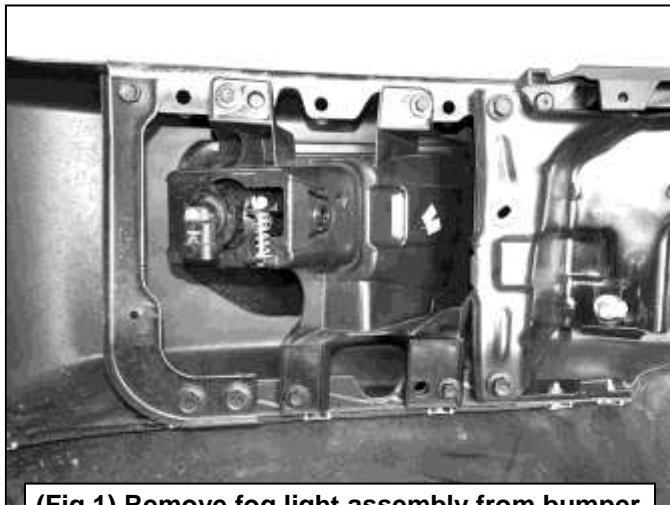
11. Models with factory fog lights:

**HEAVY DUTY FRONT BUMPER
2015-17 FORD F150**

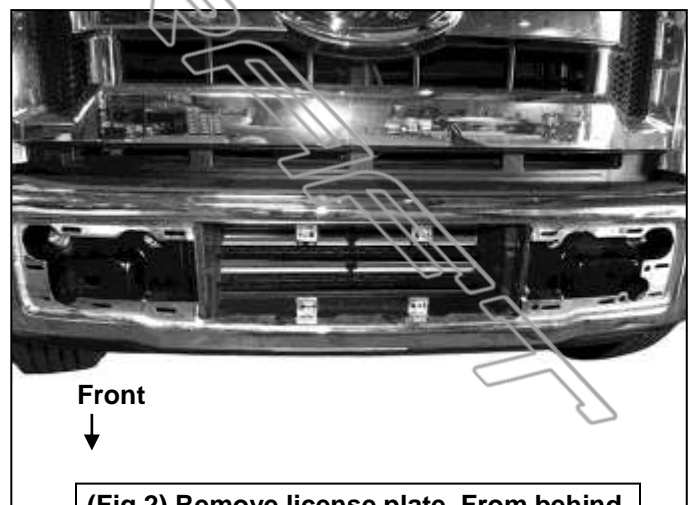
- a. Use a flat blade screwdriver to carefully pop out the tabs on the side of the fog light bracket attaching the light to the bracket, **(Figure 1)**. Pop the light out of the plastic bracket housing.
 - b. Remove the adjustment screw and spring from the light assembly.
 - c. Select the driver/left top U Bracket, **(Figure 15)**. Attach the Bracket to the slot in the light opening with the included (1) 8mm x 20mm Hex Bolt, (2) 8mm Flat Washers and (1) 8mm Nylon Lock Nut, **(Figure 15)**.
 - d. Carefully spread the sides of the Bracket enough to slide the OE plastic fog light between and into the Bracket, **(Figure 16)**. Select (1) Lower U-Bracket. Attach the Lower Bracket to the Upper Bracket with (2) 6mm x 16mm Hex Bolts, (2) 6mm Lock Washers and (2) 6mm x 12mm Small Flat Washers, **(Figure 17)**.
 - e. Insert the factory spring between the tab on the Bracket and the light. Insert the screw through the tab, spring and into the fog light, **(Figure 17)**.
 - f. Repeat to install the passenger/right fog light.
12. With assistance, position the Bumper Assembly to the outsides of the Frame Brackets. Temporarily support the weight of the Bumper. **WARNING:** To avoid possible injury or damage to the vehicle, do not proceed until the bumper is fully and safely supported.
 13. Attach the Bumper to the Frame Brackets with the included (6) 12mm x 45mm Hex Bolts, (12) 12mm Flat Washers and (6) 12mm Nylon Lock Nuts, **(Figure 18)**. Snug but do not tighten hardware.
 14. Level and adjust the bumper and fully tighten all hardware to 65-70ft-lbs. **NOTE:** If additional in-out adjustment is required, loosen Frame Bracket Hardware, slide the Bracket in or out as necessary and fully tighten all hardware.
 15. Reattach the wiring harness. Adjust lights as necessary and tighten all fog light bracket hardware.
 16. On models with grille mounted factory camera, remove the center screen, **(Figure 19)**.
 17. Use the included (2) push-in plastic nuts to attach the front license plate, (if required), to the (2) holes in the front bumper, **(Figure 20)**.
 18. Do periodic inspections to the installation to make sure that all hardware is secure and tight.

To protect your investment, wax this product after installing. Regular waxing is recommended to add a protective layer over the finish. Do not use any type of polish or wax that may contain abrasives that could damage the finish. Mild soap may be used to clean the Heavy Duty Front Bumper assembly.

Driver Side Installation Pictured



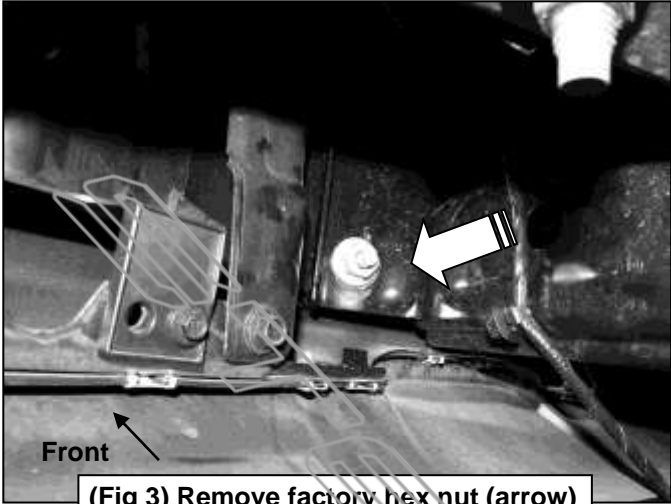
(Fig 1) Remove fog light assembly from bumper



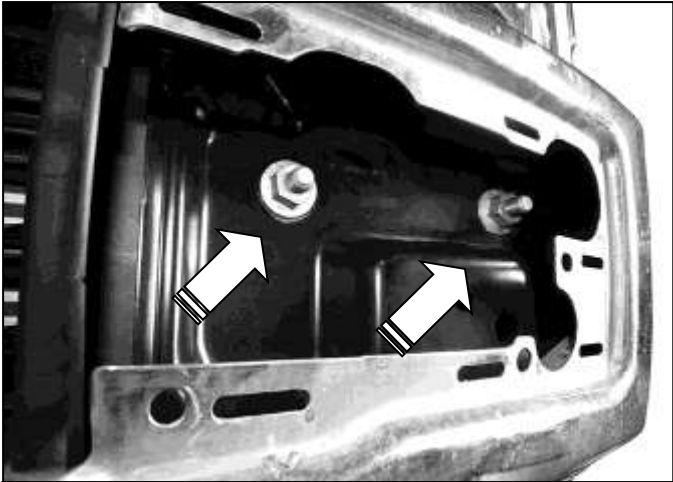
(Fig 2) Remove license plate. From behind bumper, release metal clips attaching plastic bumper pad to the bumper

Driver Side Installation Pictured

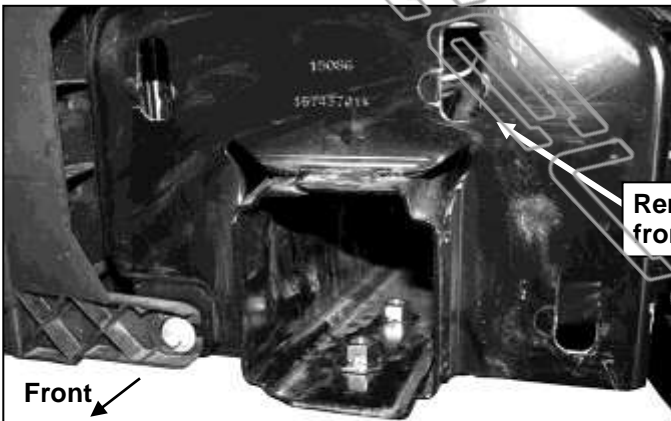
WARNING! Do not remove bumper bolts unless the bumper is properly supported on blocks or stands or the bumper may fall.



(Fig 3) Remove factory hex nut (arrow) from back of bumper bracket

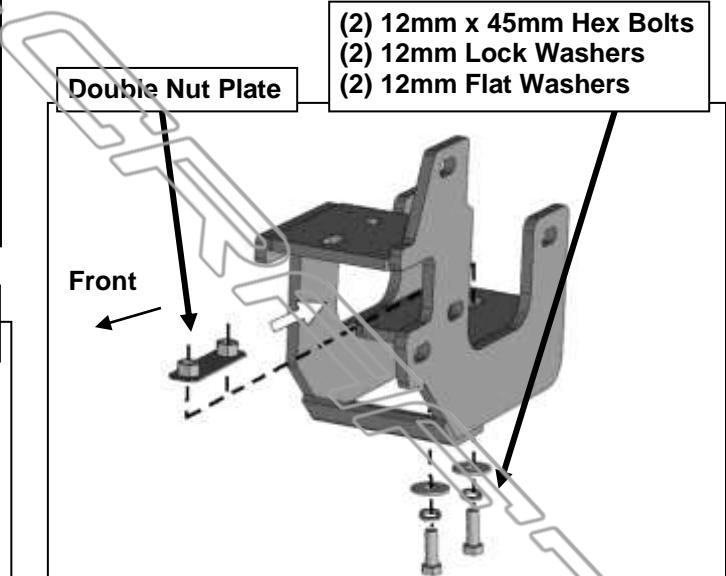


(Fig 4) Remove (2) factory hex nuts from each side

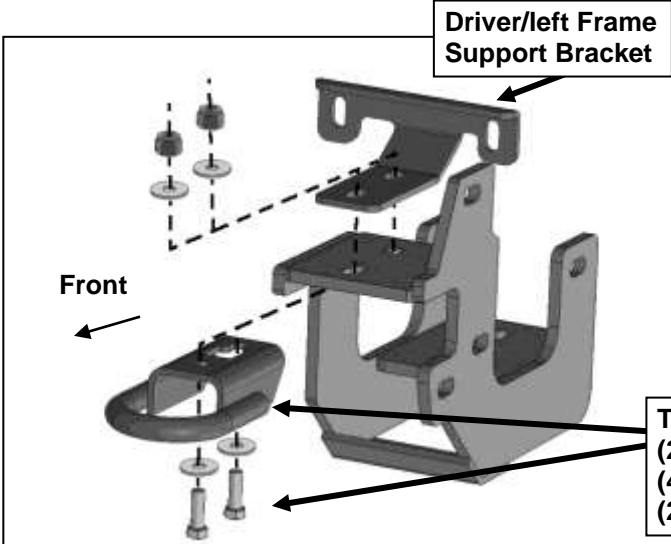


Remove factory double bolt plate from back of bumper bracket

(Fig 5) Reuse factory double nut plate (models with tow hooks) or insert included Double Nut Plate into end of frame

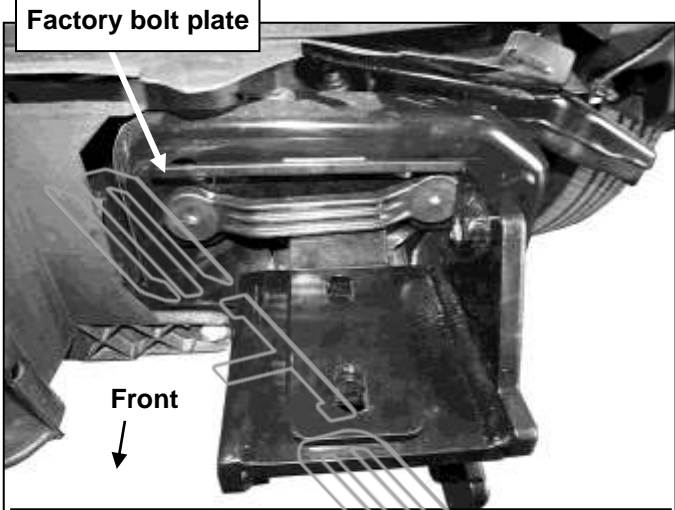


(Fig 6) Slide Bracket assembly over end of frame. Attach assembly to Double Nut Plate in frame (Fig 5)



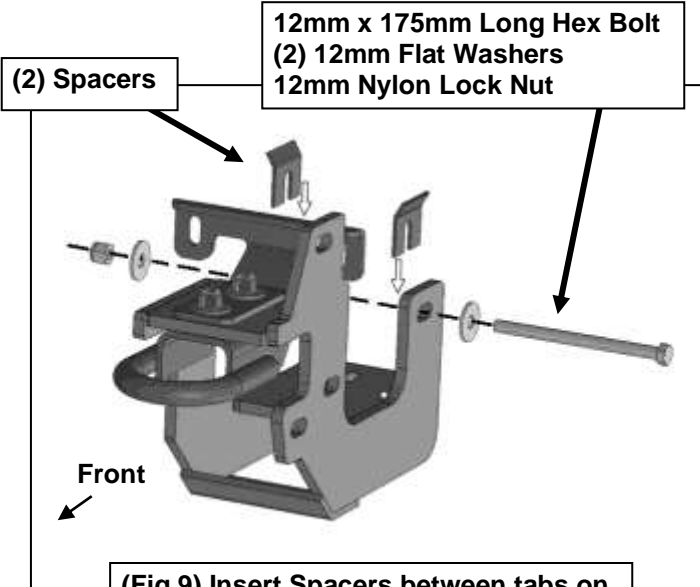
(Fig 7) Attach Support Bracket to top of Bracket Assembly and factory tow hook (if equipped)

Driver Side Installation Pictured

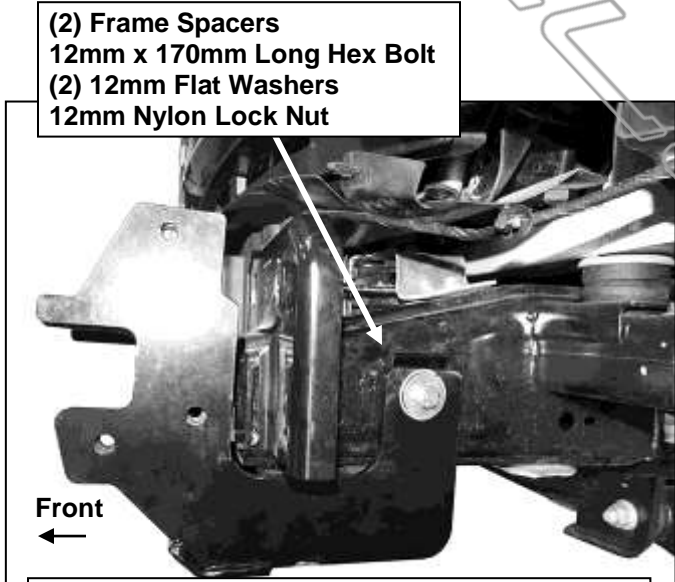


(Fig 8) Reuse factory double bolt plate and hex nuts to attach Support Bracket to bumper bracket

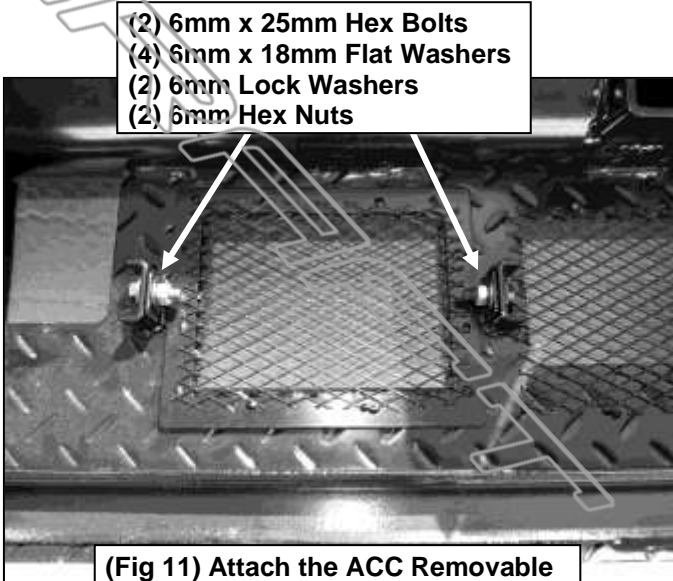
WARNING! Do not crawl under bumper unless the bumper is properly supported on blocks or stands or the bumper may fall.



(Fig 9) Insert Spacers between tabs on Bracket assembly and sides of frame

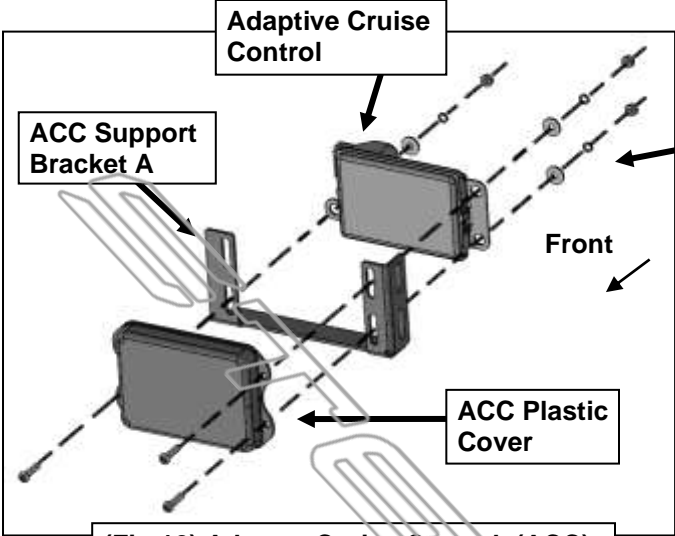


(Fig 10) Driver side Bracket Assembly pictured



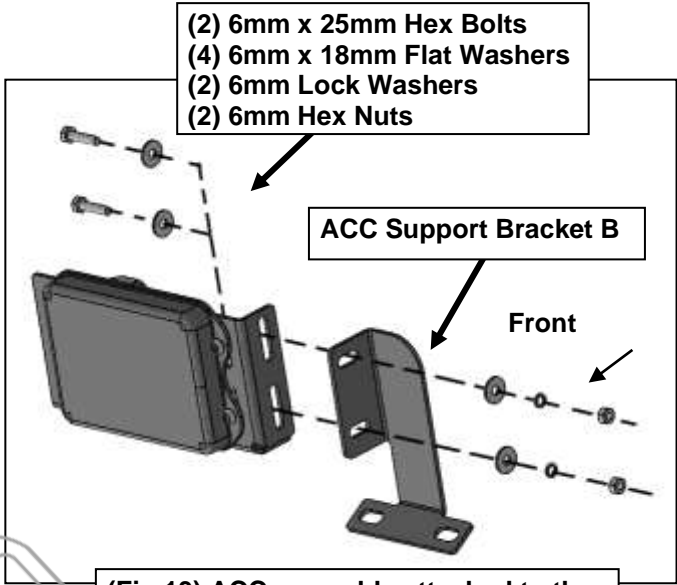
(Fig 11) Attach the ACC Removable Window to the back of the Bumper

Driver Side Installation Pictured

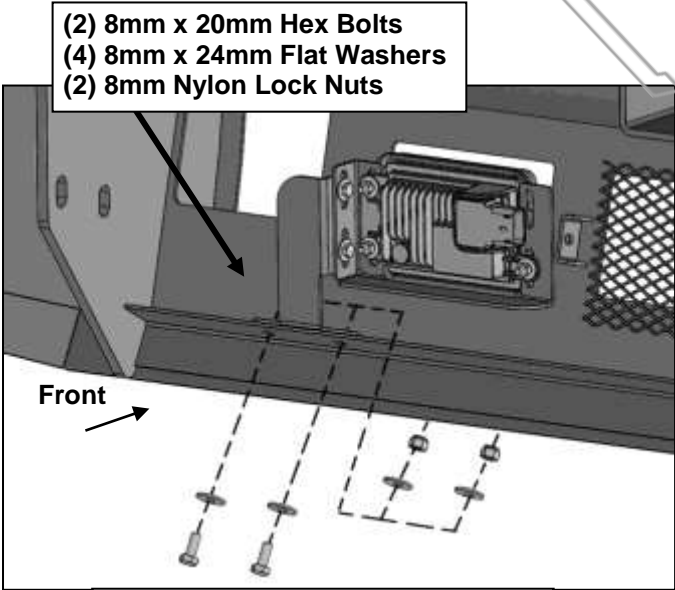


(Fig 12) Adaptor Cruise Control, (ACC) assembly illustrated

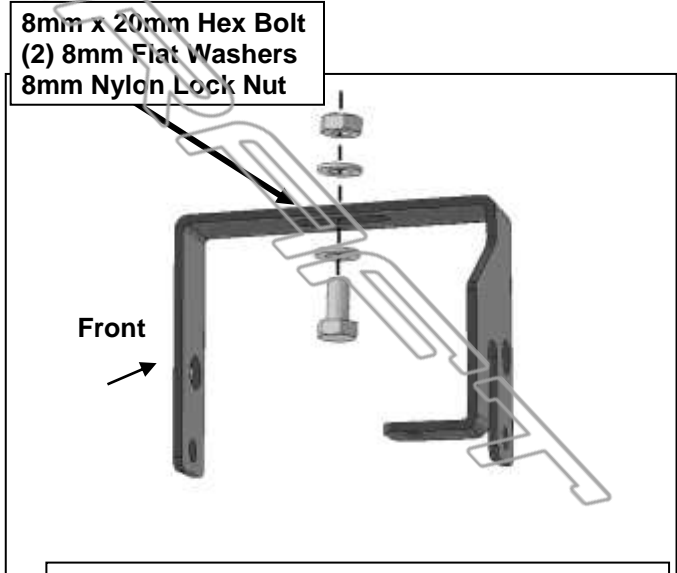
- (3) 6mm x 25mm Button Head Bolts
- (3) 6mm x 18mm Flat Washers
- (3) 6mm Lock Washers
- (3) 6mm Hex Nuts



(Fig 13) ACC assembly attached to the ACC Support Bracket B

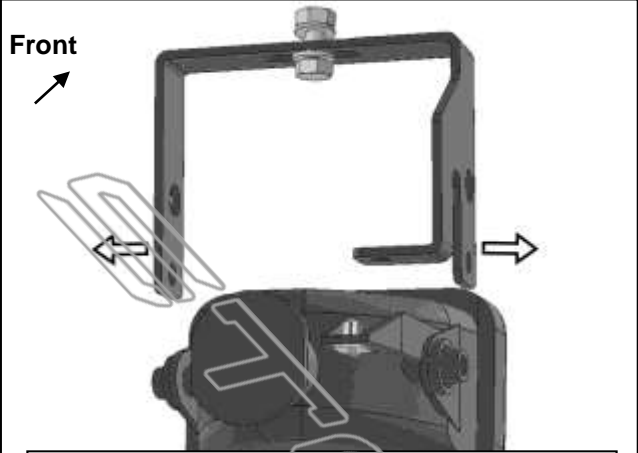


(Fig 14) Attach the ACC assembly to the back of the Bumper



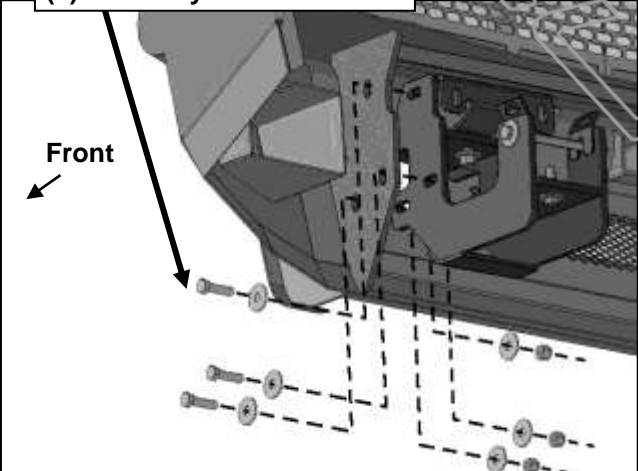
(Fig 15) Optional OEM fog light installation (light not included). Attach driver/left Upper Bracket to the slot in top of the opening

Driver Side Installation Pictured

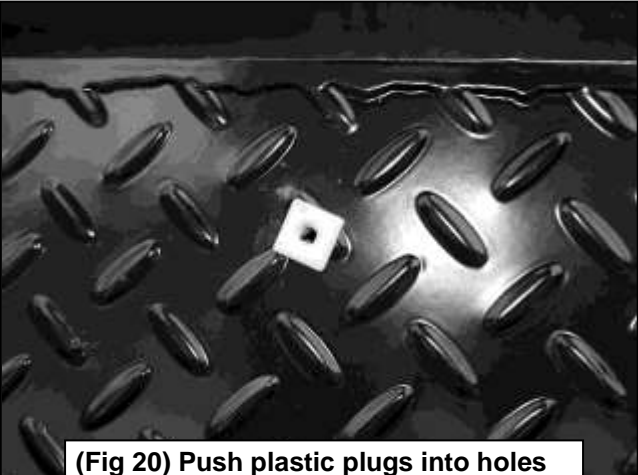


(Fig 16) Carefully spread sides to slide OEM fog light into position in pivot holes

- (3) 12mm x 45mm Hex Bolts
- (6) 12mm Flat Washers
- (3) 12mm Nylon Lock Nuts

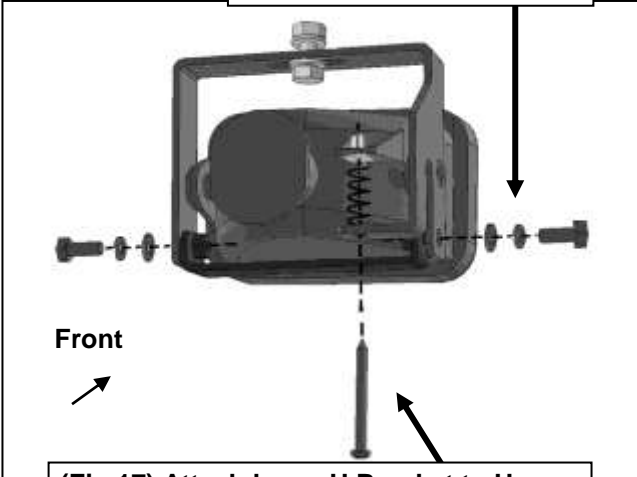


(Fig 18) Attach Bumper to Bracket Assembly

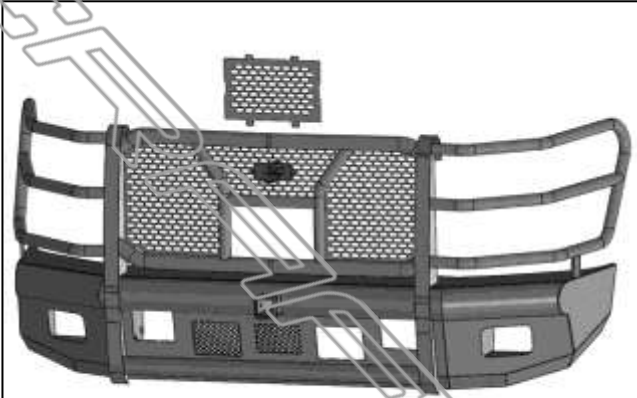


(Fig 20) Push plastic plugs into holes in Bumper for license plate if required

- 6mm x 16mm Hex Bolt
- 6mm Lock Washer
- 6mm x 12mm Flat Washer



(Fig 17) Attach lower U Bracket to Upper Bracket. Reuse factory adjustment hardware (screw, spring and plastic nut)



(Fig 19) Remove center screen if equipped with grille mounted camera