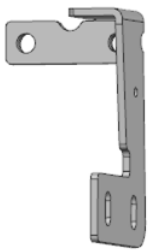
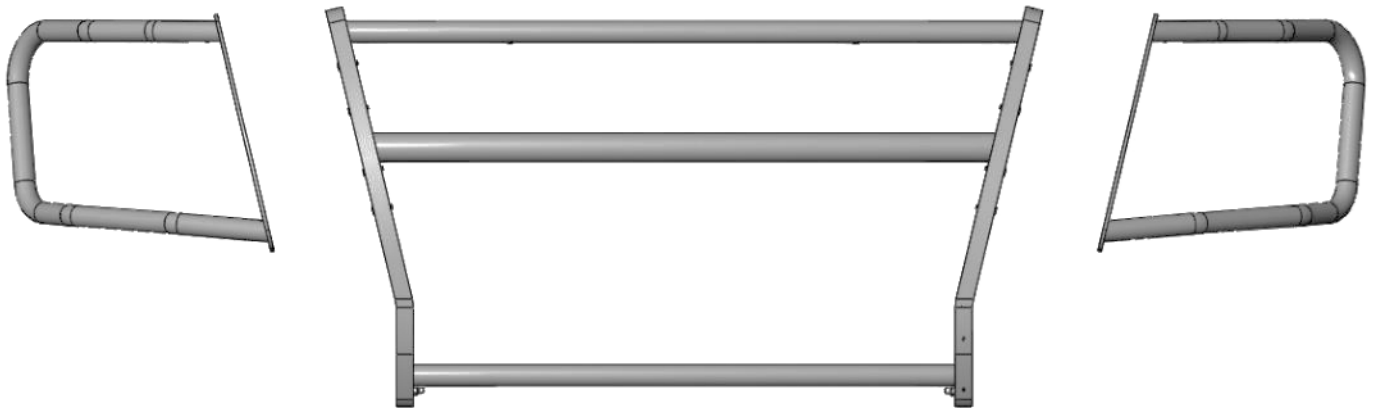


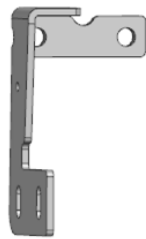
INSTALLATION INSTRUCTIONS

PARTS LIST:

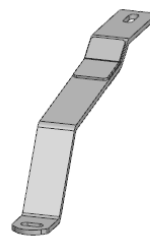
Qty	Description	Qty	Description
1	Driver/Left Modular Wing	16	8mm x 24mm x 2mm Flat Washers
1	Passenger/Right Modular Wing	8	8mm Nylon Lock Nuts
1	Front Runner Grille Guard Center	4	10mm Nylon Lock Nuts
1	DS Frame Mounting Bracket	4	10mm x 30mm x 2.5mm Flat Washers
1	PS Frame Mounting Bracket	2	10mm Double Bolt Plates
2	Driver/Left & Passenger/Right Support Bracket	4	10-1.25mm x 40mm Hex Bolts(Fine threads)
4	2mm adhesive foam	4	10mm Lock Washers
4	6 x 20mm Button Head Allen Bolt	4	10mm x 20mm x 2mm Flat Washers
8	8-1.25mm x 30mm Hex Bolts	1	S=4 Allen Wrench



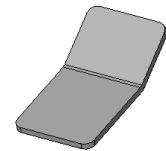
PS Mounting Bracket



DS Mounting Bracket



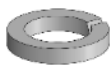
PS Support Bracket



Adhesive Foam



Flat Washer



Lock Washer



Double Bolt Plate



Lock Nut



Hex Bolt



Button Head Bolt

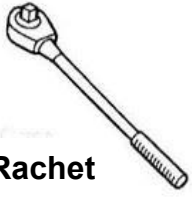


Fine Threaded Hex Bolt



Allen Key

TOOLS REQUIRED



Ratchet



13mm Socket

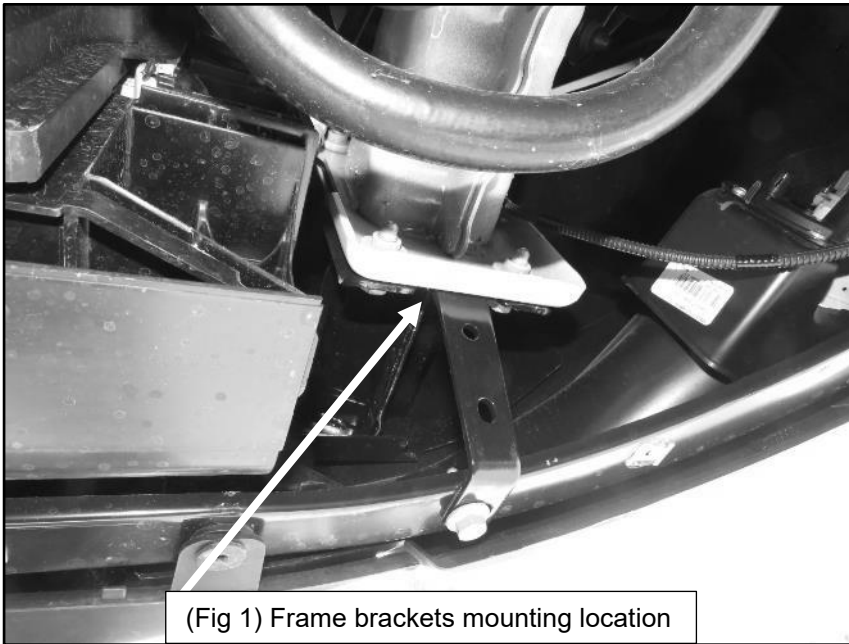


Extensions

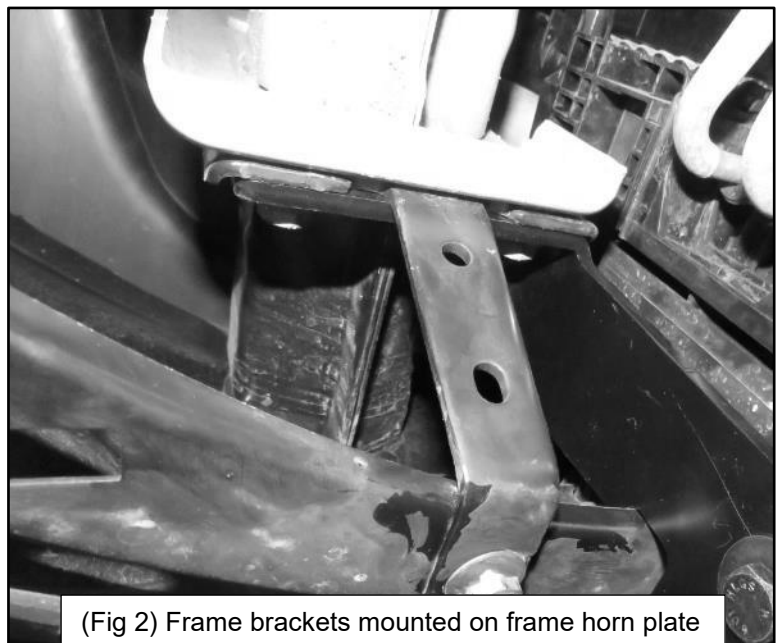


Wrench

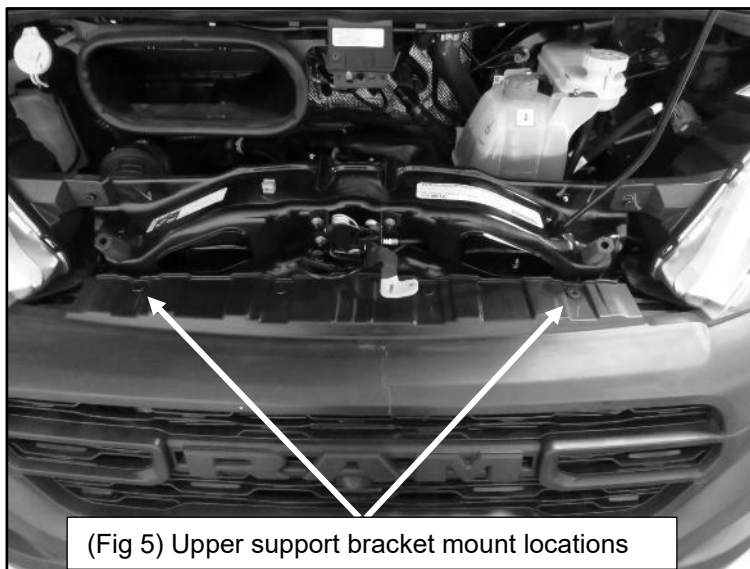
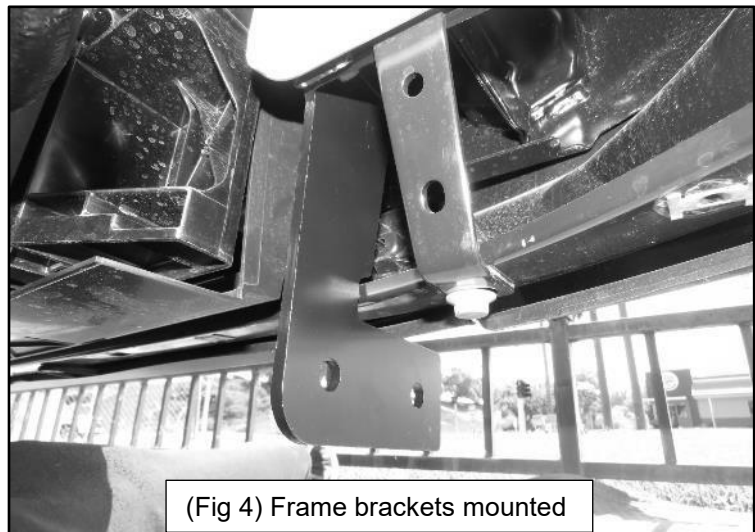
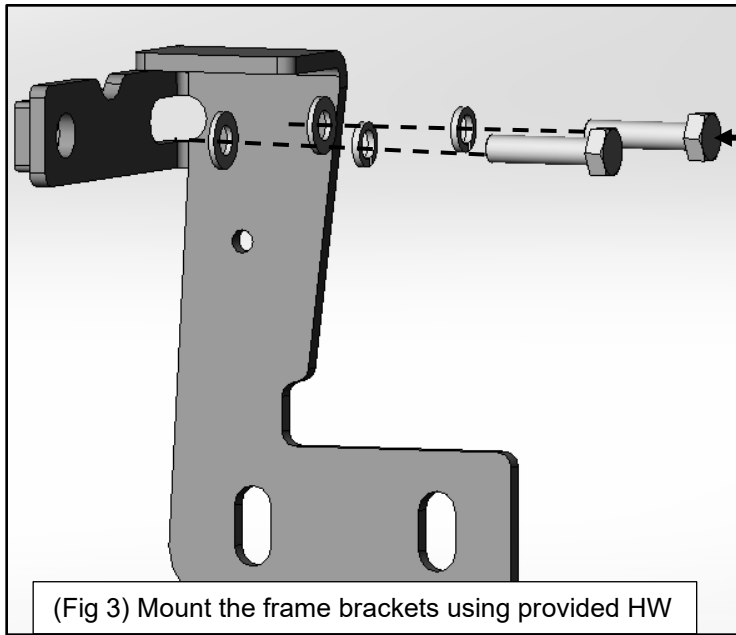
- 1 Follow Fig (1-7) to mount the frame mounting brackets and support brackets.



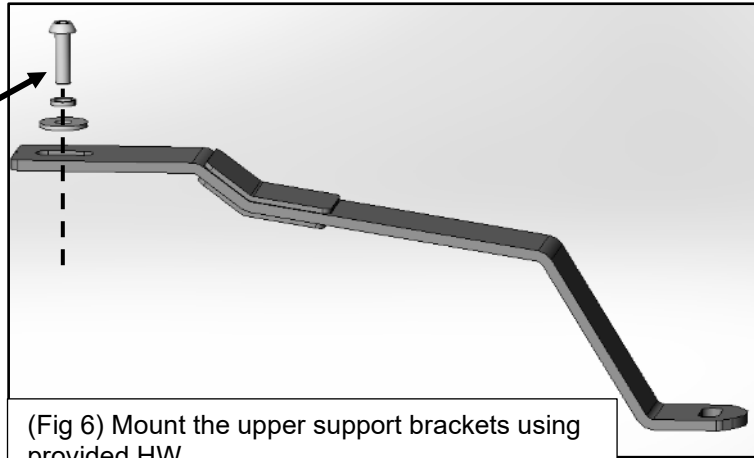
(Fig 1) Frame brackets mounting location



(Fig 2) Frame brackets mounted on frame horn plate



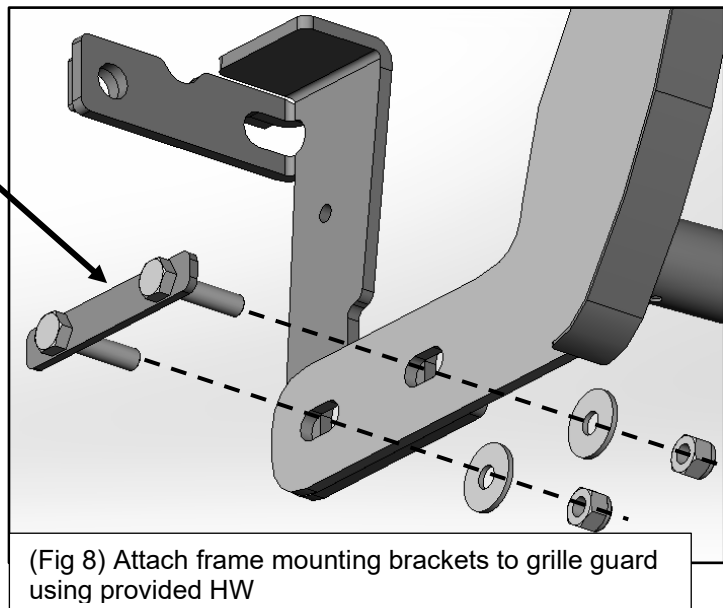
- (1) 6mm Button Head Bolts
- (1) 6mm Lock Washer
- (1) 6mm x 18mm x 1.6mm Flat Washer

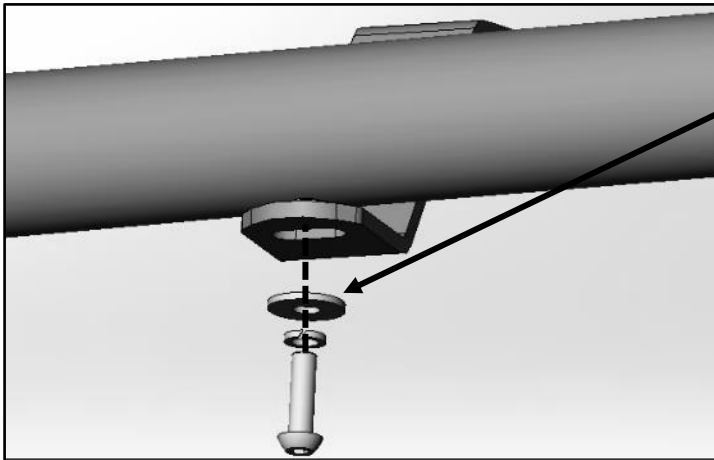


(Fig 7) Upper support brackets mounted

2 Follow Fig (8-9) to attach the grille guard body to the frame and support brackets.

- (1) 10mm Double Bolt Plate
- (2) 10mm x 30mm x 2.5mm Flat Washer
- (2) 10mm Lock Nuts





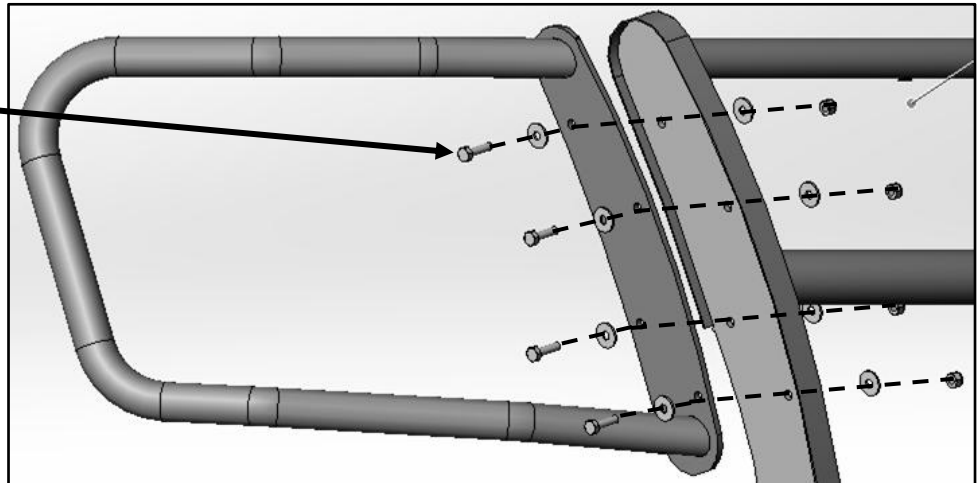
- (1) 6mm Button Head Bolt
- (1) 6mm Lock Washers
- (1) 6mm x18mm x 1.6mm Flat Washers

(Fig 9) Attach support brackets to the upper portion of the grille guards

3

Follow Fig (10-) to install the wings to the grille guard.

- (4) 8mm Hex Bolts
- (8) 8mm x 24mm x 2mm Flat Washers
- (4) 8mm Lock Nuts



(Fig 10) Attach grille guard wings to the grille guard body using the provided



Install Complete