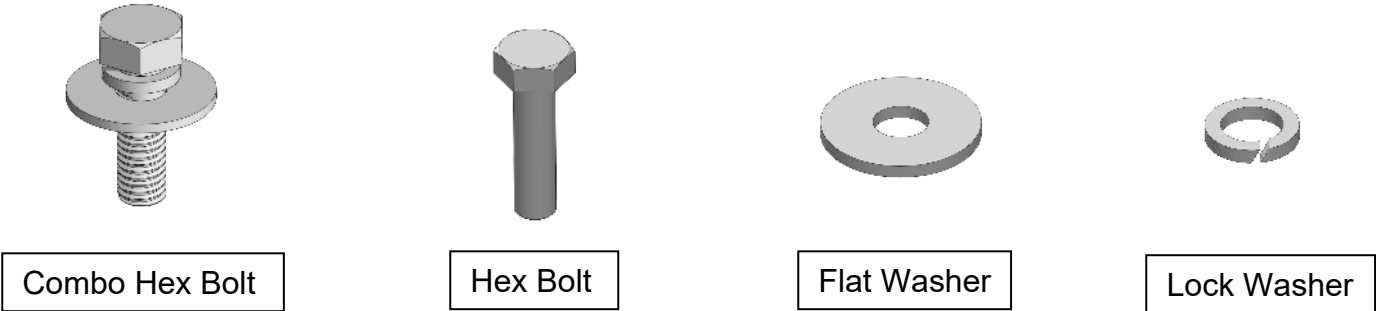
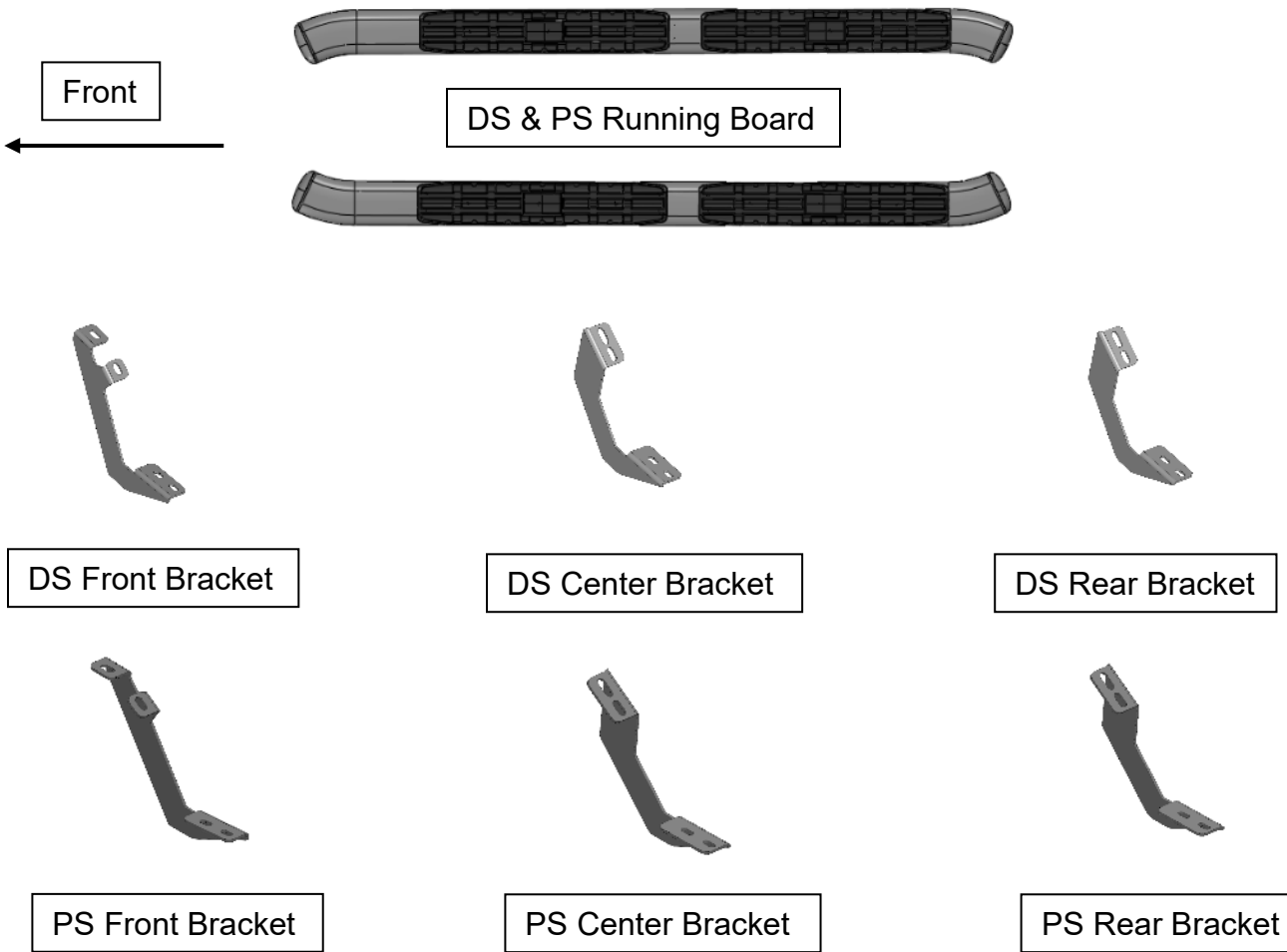


## INSTALLATION INSTRUCTIONS

**PARTS LIST:**

Description	Qty	Description	Qty
Driver/left Side Bar	1	Passenger/Right Center and Rear Mounting Bracket	2
Passenger/right Side	1	8-1.25mm x 30mm Hex Bolts	12
Driver/Left Front Mounting Bracket	1	8mm x 22mm x 2mm Flat Washers	12
Passenger/Right Front Mounting Bracket	1	8mm Lock Washers	12
Driver/Left Center and Rear Mounting Bracket	2	8-1.25mm x 30mm Combo Bolts	12



**TOOLS REQUIRED**



**Ratchet**



**13mm Socket**



**Extensions**



**Wrench**

**1** Follow (Fig 1 – 5) to attach the mounting brackets to the Driver Side of the vehicle. Repeat the following steps on the Passenger Side.



**(Fig 1) Locate the front mounting location circled and remove the OEM 8mm bolts.**

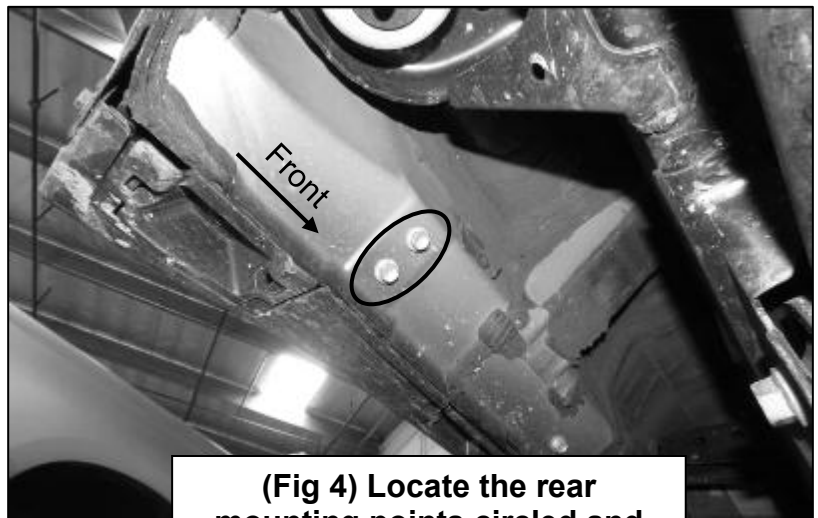
**(Fig 2) Install the Front Mounting Bracket as shown.**



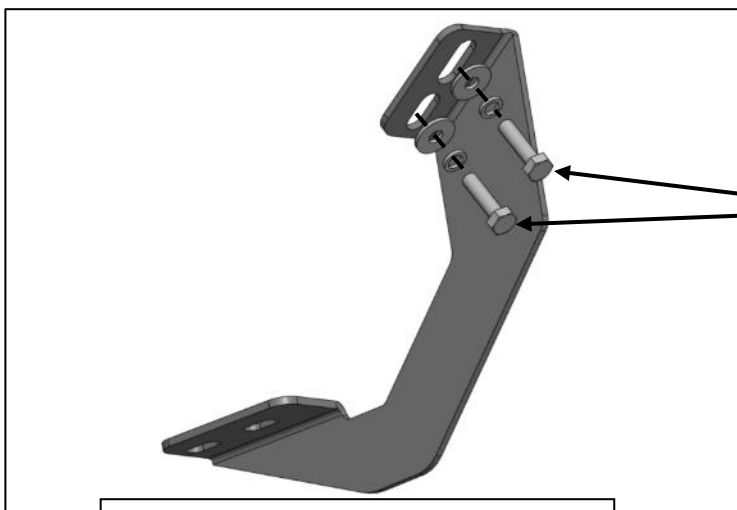
- (2) 8mm Hex Bolts**
- (2) 8mm Lock Washers**
- (2) 8mm Flat Washers**



**(Fig 3) Locate the center mounting points circled and remove the OEM 8mm bolts.**



**(Fig 4) Locate the rear mounting points circled and remove the OEM 8mm bolts.**



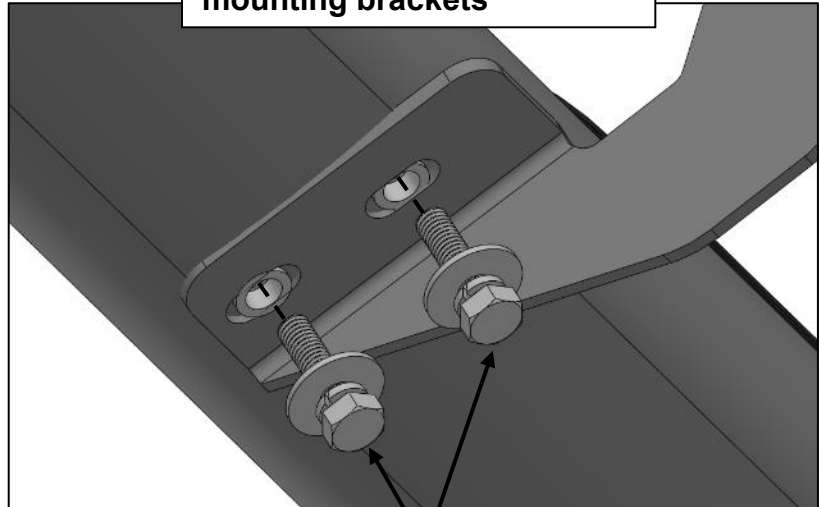
- (2) 8mm Hex Bolts**
- (2) 8mm Lock Washers**
- (2) 8mm Flat Washers**

**(Fig 5) Install the Center/Rear Mounting Brackets as shown.**

**2**

Follow (Fig 6) to install the side bar to the mounting brackets on the Driver Side. Check and make adjustments if needed in order for the side bar to sit flush against the mounts (Fig 7). Repeat the following steps on the Passenger Side.

**(Fig 6) Mount side bar to mounting brackets**

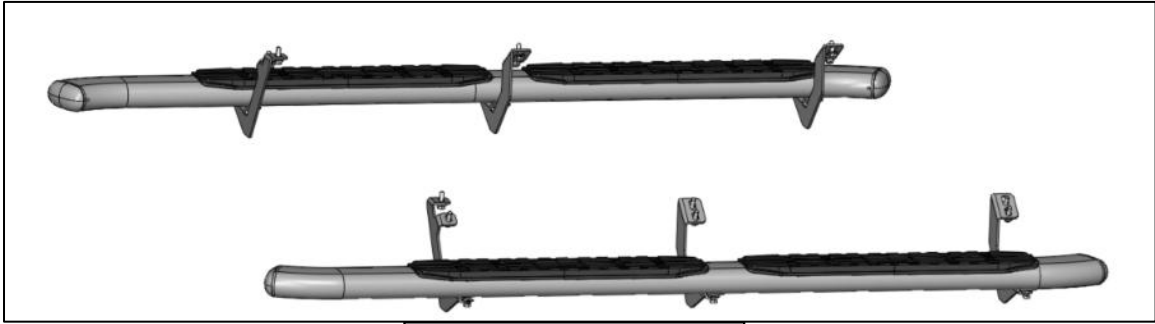


**(2) 8mm Combo Bolts**



**(Fig 7) Ensure the side bar sits flush onto the mounting brackets. Make adjustments if needed.**

Installation is complete. Do periodic inspections to the installation to make sure that all hardware is secure and tight.



Installation Complete