

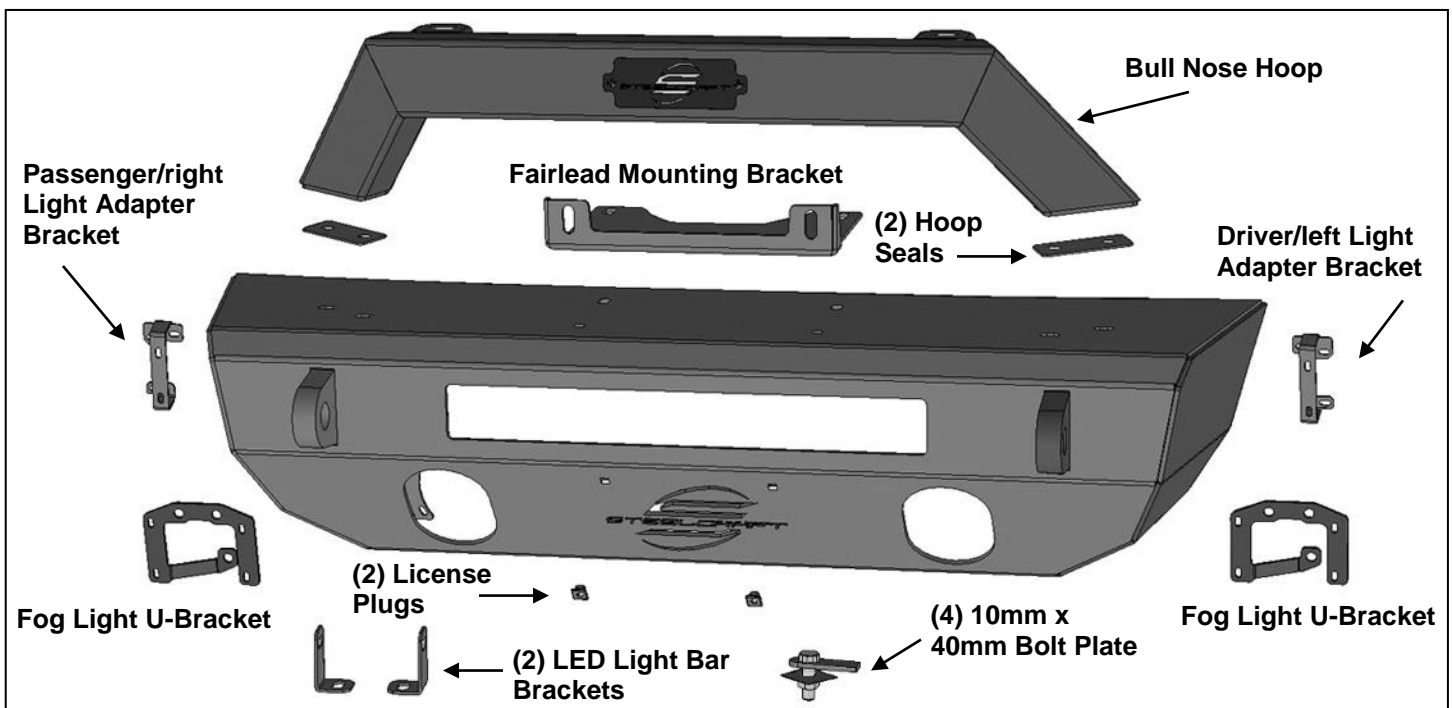
INSTALLATION INSTRUCTIONS

**1PC STUBBY FRONT BUMPER
07-18 JEEP JK & JL WRANGLER**

**1PC STUBBY FRONT BUMPER
07-18 JEEP JK & JL WRANGLER**

PARTS LIST:

1	Stubby Front Bumper	8	12mm Hex Nuts
1	Bull Nose Hoop	4	10mm x 25mm Hex Bolts
2	Foam Seals (ends of Bull Nose Hoop)	4	10mm Lock Washers
1	Fairlead Mounting Bracket	4	10mm x 30mm x 2.5mm Flat Washers
1	Driver/left Fog Light Adapter Bracket	2	8mm x 25mm Hex Bolts
1	Passenger/right Fog Light Adapter Bracket	2	8mm x 16mm Hex Bolts
2	Fog Light "U" Adapter Brackets (3-pin Light-JK)	6	8mm x 24mm x 2mm Flat Washers
2	LED Center Bar Light Brackets	4	8mm Lock Washers
2	License Plate Plugs	2	8mm Hex Nuts
4	12mm x 40mm Bolt Plates	12	4mm x 15mm Button Head Bolts
4	12mm Plastic Retainers	20	4mm x 12mm x 1mm Flat Washers
4	12mm x 40mm Hex Bolts	4	4mm Lock Washers
12	12mm x 24mm x 2.5mm Flat Washers	8	4mm Nylon Lock Nuts
8	12mm Lock Washers	1	2.5mm Allen Wrench (4mm)



PROCEDURE:

REMOVE CONTENTS FROM BOX. VERIFY ALL PARTS ARE PRESENT. READ INSTRUCTIONS CAREFULLY BEFORE STARTING INSTALLATION. CUTTING MAY BE REQUIRED. ASSISTANCE IS RECOMMENDED.

1. Start under the front bumper of the vehicle and remove the plastic lower splash guard or steel skid plate, **(Figure 1)**. **NOTE:** Splash guard or skid plate cannot be reinstalled.
2. Unplug the fog light wiring harness leading to the bumper, **(Figure 2)**.
3. On JK models, remove the clips fastening the plastic fill panel to the top of frame behind the bumper. Slide fill panel left or right to access bumper hardware from above, **(Figure 3)**. **NOTE:** All models, bumper mounting hardware will also be accessed from below.
4. With assistance, remove the front bumper, **(Figures 4—6)**. Move the bumper to a stable surface. Remove the fog lights and wiring harness. Depending on model/year, bumper may need to be disassembled to remove fog lights and/or wire harness.
5. Determine if Bull Nose Hoop and/or factory fog lights will be installed, (optional). **NOTE:** Bull Nose Hoop and fog lights must be attached to the Front Bumper before installing the Bumper. If Bull Nose Hoop and/or fog lights will not be installed, skip to **Step 7**.

Bull Nose Hoop Installation, (optional):

- a. Select the Bull Nose Hoop. Apply Foam Seals to ends of Hoop. Attach the Bull Nose Hoop to the top of the Bumper with the included (4) 10mm Hex Bolts, (4) 10mm Lock Washers and (4) 10mm Flat Washers, **(Figure 7)**.

Factory fog lights Installation—determine fog light design first:

4-tab “JK” and “JL” standard fog light:

- a. Select the driver/left Adapter Bracket, **(Figure 8A)**. Attach the Bracket to the inner mounting plate on the back of the left side of the Bumper with (2) 4mm Button Head Screws, (2) 4mm Lock Washers and (2) 4mm Flat Washers, **(Figure 8B)**.
- b. Attach the driver/left fog light assembly to the mounting brackets with (4) 4mm Button Head Screws, (8) 4mm Flat Washers and (4) 4mm Nylon Lock Nuts, **(Figure 9)**. **IMPORTANT:** Do not overtighten fog light hardware or damage to the fog light may result.
- c. Select the passenger/right Adapter Bracket. Repeat previous Steps to install the passenger/right fog light.

2-tab 2013-17 “JK” Halogen Fog Light supplied with Mopar Option steel bumper:

- a. Remove the plastic light assembly from the OE bumper, **(Figure 10)**.
- b. Remove the bulb assembly from the plastic bracket, **(Figure 11)**.
- c. Select the driver/left Adapter Bracket, **(see Figure 8A)**. Attach the Bracket to the mounting plate on the back of the Bumper with (2) 4mm Button Head Screws, (2) 4mm Lock Washers and (2) 4mm Flat Washers, **(Figure 8B)**.
- d. Next, select (1) “U” Fog Light Bracket. Attach the Fog Light Bracket to the mounting tab and Adapter Bracket with the included (4) 4mm Button Head Screws, (8) 4mm Flat Washers and (4) 4mm Nylon Lock Nuts, **(Figure 12)**.
- e. Push the (3) pins on the fog light bulb into the U-Adapter Bracket.
- f. Repeat to install the passenger/right fog light.

2-tab 2018-on “JK” and “JL” LED Fog Light supplied with Mopar Option steel bumper:

- a. Select the driver/left Adapter Bracket, **(see Figure 8A)**. Attach the Bracket to the mounting plate on the back of the Bumper with (2) 4mm Button Head Screws, (2) 4mm Lock Washers and (2) 4mm Flat Washers, **(Figure 8B)**.
- b. Select the driver/left factory fog light assembly. Rotate light assembly 90-degrees.
- c. Attach the LED light assembly to the mounting brackets with (2) 4mm Button Head Screws, (4) 4mm Flat Washers and (2) 4mm Nylon Lock Nuts, **(Figure 13)**. **IMPORTANT:** Do not overtighten hardware or damage to the fog light may result.
- d. Select the passenger/right Adapter Bracket. Repeat previous Steps to install the passenger/right LED fog light.

3-screw 2018-on “JL” Sport with 1pc plastic outer bumper cover & halogen fog light:

- a. Remove the driver/left fog light assembly, **(Figure 14)**.
- b. Attach the driver/left fog light assembly to the left single mounting location with (1) 4mm Button Head Screw, (2) 4mm Flat Washers and (1) 4mm Nylon Lock Nut, **(Figure 15)**. Leave loose.
- c. Attach the remaining offset side of the light assembly to the inner mounting plate with (3) 4mm Button Head Screws, (3) 4mm Lock Washers and (3) 4mm Flat Washers, **(Figure 15)**.
IMPORTANT: Do not overtighten fog light hardware or damage to the fog light may result. **NOTE:** No Adapter Brackets required.
- d. Select the passenger/right fog light assembly. Repeat previous Steps to install the passenger/right fog light.

6. Install factory fog light wiring harness into back of Bumper.

7. Move to the driver/left side of the Stubby Bumper. Select (1) Bolt Plate and (1) Plastic Retainer, **(Figure 16)**. Insert the Bolt Plate between the bracket and the side of the Bumper and back out through the top-outer mounting hole. Thread the Plastic Retainer onto the Bolt plate to hold it in place. Repeat this **Step** to install (1) Bolt Plate in the lower-outer mounting hole, **(Figure 16)**. Repeat to install (2) Bolt Plates in the passenger/right outer mounting holes. **IMPORTANT:** Bolt Plates will only be installed in the (2) outer mounting holes on each side of the Bumper.

8. On 2007-11 JK models only, temporarily hold the Stubby Bumper up in position against the frame brackets to determine if cutting will be required before installation. Use a metal cutting saw or hack saw to cut off the

**1PC STUBBY FRONT BUMPER
07-18 JEEP JK & JL WRANGLER**

extended end of the crossmember, **(Figure 17)**. Repeat to cut off the end of the passenger/right side of the cross member. Apply paint to cut off area to prevent rust to frame.

9. With assistance, hold the Bumper up in place and guide the threaded ends of the (4) Bolt Plates through the bumper mounting plates on the end of the frame, **(Figure 18)**. Secure the Bumper to the frame with the included (4) 12mm Flat Washers, (4) 12mm Lock Washers and (4) 12mm Hex Nuts. Next, attach the inner mounting holes on the Bumper to the mounting plates with (4) 12mm x 40mm Hex Bolts, (8) 12mm Flat Washers, (4) 12mm Lock Washers and (4) 12mm Hex Nuts, **(Figure 19)**. **IMPORTANT:** On "JK" models only, use a 1/2" drill bit to drill out the inner mounting holes on the frame to fit the mounting hardware if necessary. Do not fully tighten hardware at this time.
10. Stand back from the vehicle and check to see that the Bumper is centered and level on the vehicle and adjust as required. Once properly aligned, fully tighten all hardware.
11. LED light bar and/or winch installation:

LED light bar installation, (LED light bar sold separately).

- a. Select (2) LED Light Brackets. Attach the LED Brackets to the light bar, (not included), with the included (2) 8mm x 16mm Hex Bolts, (2) 8mm Lock Washers and (2) 8mm Flat Washers, **(Figure 21)**. Leave hardware loose. **NOTE:** "L" Brackets are designed for 8mm light mounting hardware only. Modify "L" Brackets if necessary to install hardware larger than 8mm.
- b. Next, attach the light bar and Brackets to the top of the (2) mounting tabs welded onto the back of the bumper with the included (2) 8mm x 25mm Hex Bolts, (4) 8mm Flat Washers, (2) 8mm Lock Washers and (2) 8mm Hex Nuts, **(Figure 20)**. Do not fully tighten hardware at this time.

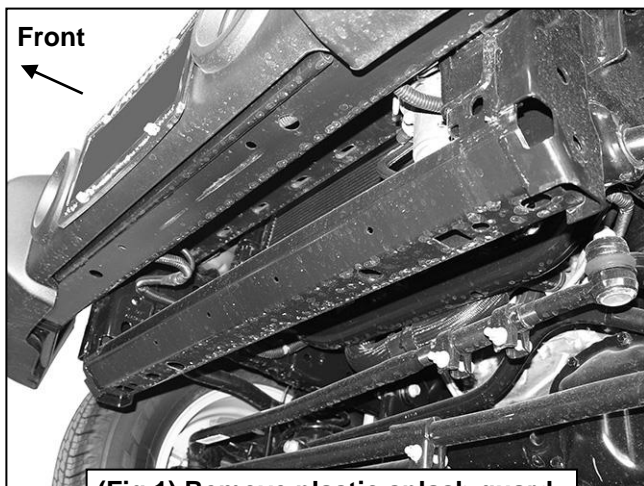
Winch Installation, (winch not included):

- a. Place the Fairlead Bracket on top of the Bumper, **(Figure 22)**. Line up the mounting holes.
- b. Follow the manufacturer's instructions to properly attach the winch to the top of the bumper and to connect the winch to the electrical system.

12. Reattach the wiring harness for the factory fog lights, if equipped, **(Figure 23)**. Adjust lights as necessary and full tighten hardware.
13. Do periodic inspections of the installation to make sure that all hardware is secure and tight.

To protect your investment, wax this product after installing. Regular waxing is recommended to add a protective layer over the finish. Do not use any type of polish or wax that may contain abrasives that could damage the finish. Mild soap may be used to clean the Front Bumper.

Driver/left Side Installation Pictured

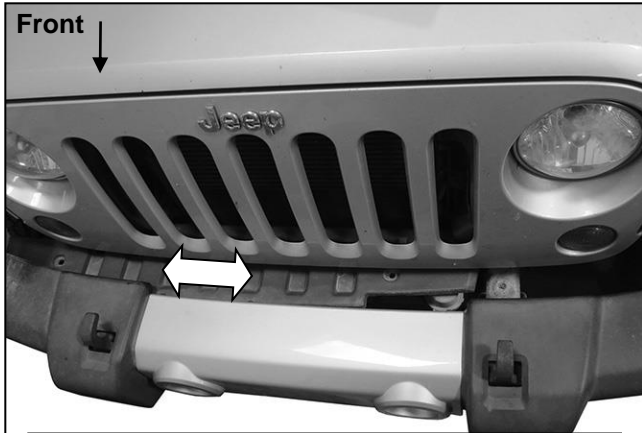


(Fig 1) Remove plastic splash guard or skid plate from bottom of bumper

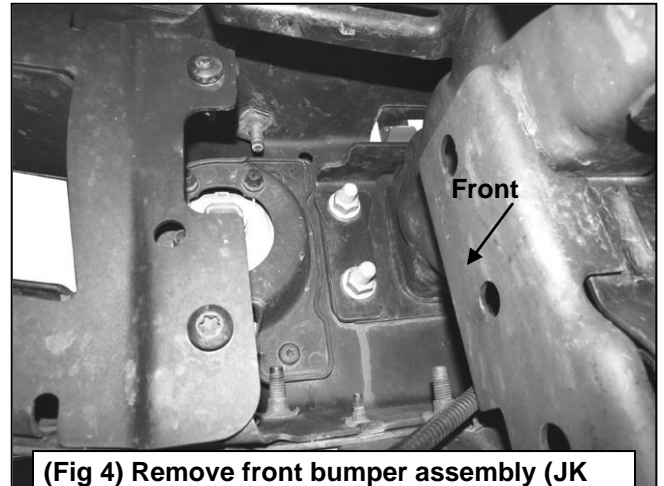


(Fig 2) Unplug the wiring harness leading to the front bumper (arrow-JL passenger side pictured)

**1PC STUBBY FRONT BUMPER
07-18 JEEP JK & JL WRANGLER**



(Fig 3) JK models-Remove clips attaching fill panel to top of frame. Slide panel left or right to access bumper bolts from above



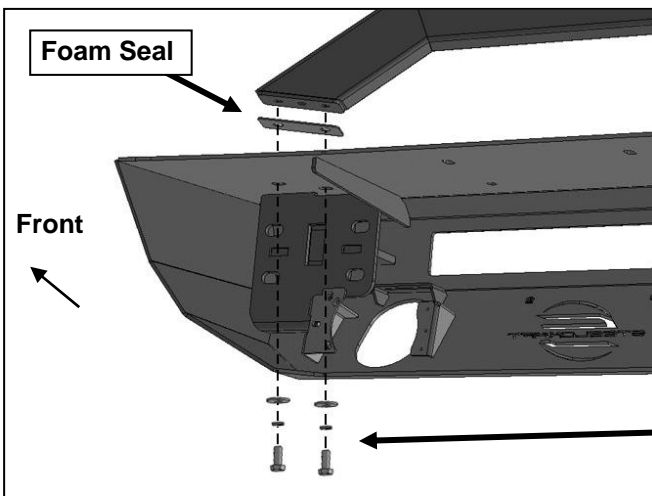
(Fig 4) Remove front bumper assembly (JK passenger side inner bumper bolts pictured)



(Fig 5) Front Bumper and splash guard removed from vehicle (JK pictured)



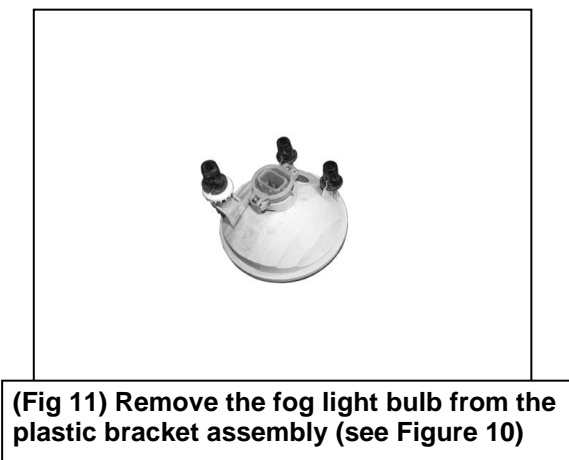
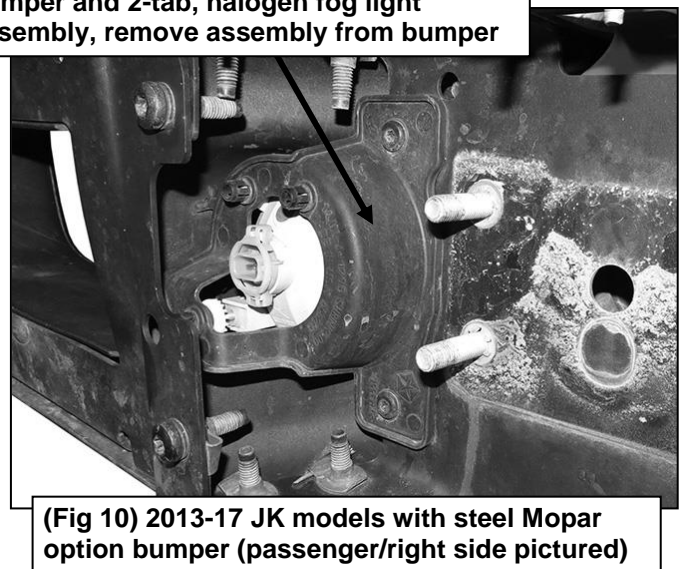
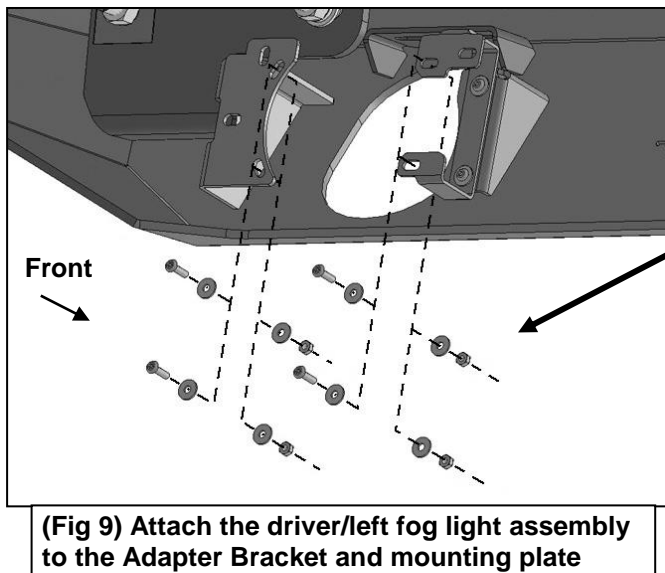
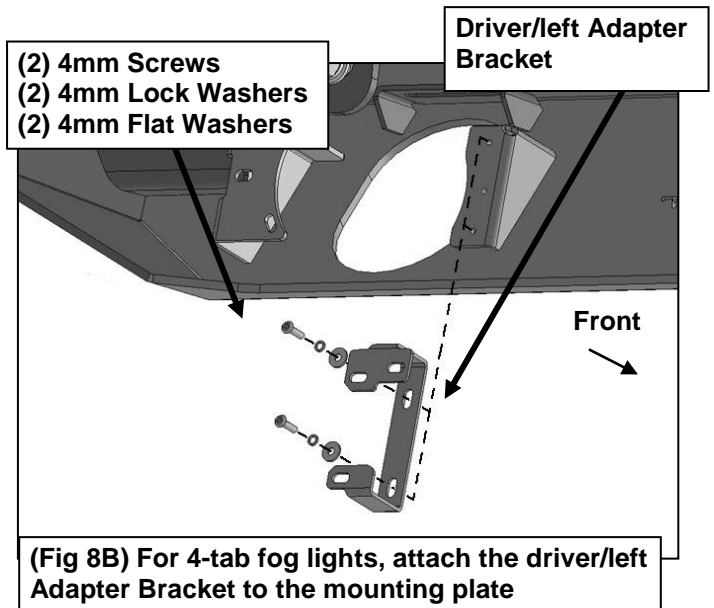
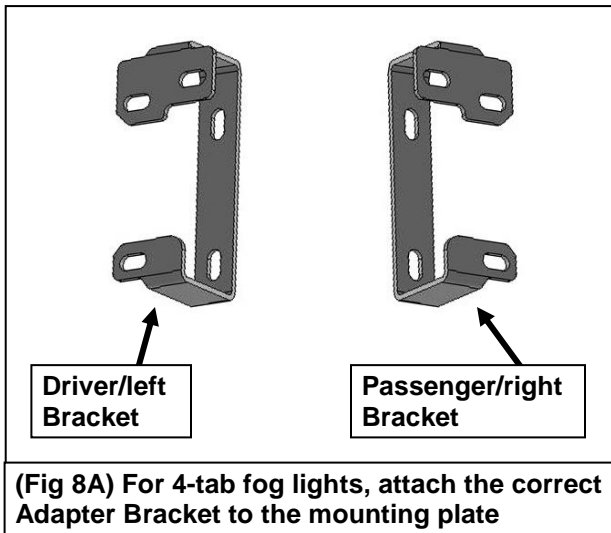
(Fig 6) Remove front bumper and splash guard or skid plate (2018-on JL pictured)



- (2) 10mm Hex Bolts**
- (2) 10mm Lock Washers**
- (2) 10mm Flat Washers**

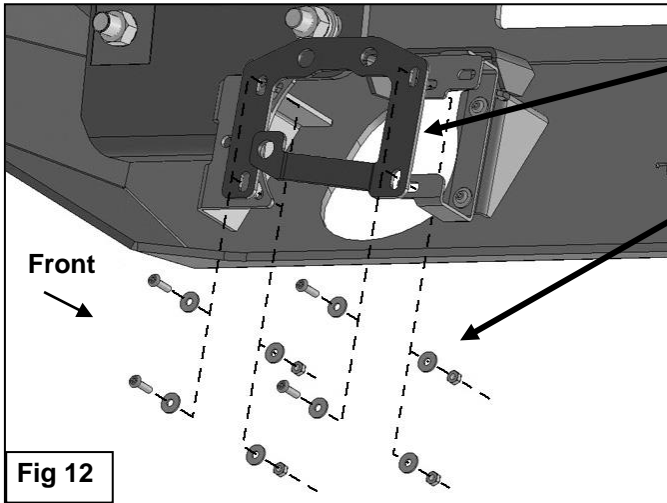
(Fig 7) Attach Bull Nose Hoop to top of Bumper

Driver/left Side Installation Pictured



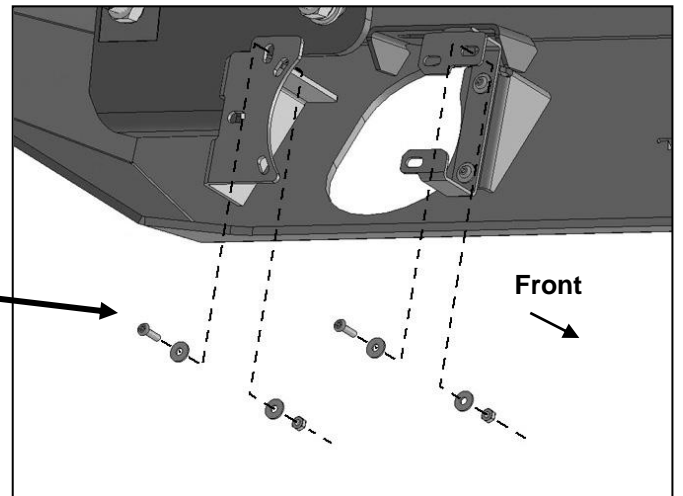
**1PC STUBBY FRONT BUMPER
07-18 JEEP JK & JL WRANGLER**

Driver/Left Side Installation Pictured



Attach U-Bracket to mounting plate and Adapter Bracket. Push 3 pins on bulb (Fig 11) into U-Bracket (driver/left side illustrated)

- (4) 4mm x 20mm Button Head Screws
- (8) 4mm Flat Washers
- (4) 4mm Nylon Lock Nuts

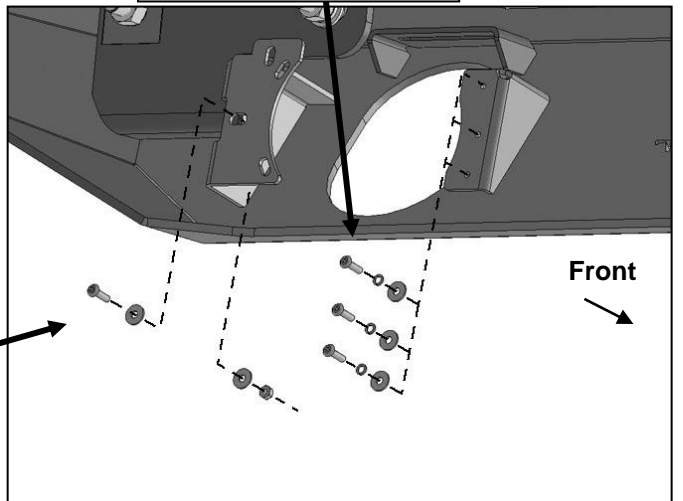


(Fig 13) 2018-on "JK" & "JL" models with Mopar steel option bumper and LED fog lights, rotate the light assembly 90-degrees. Attach the driver/left 2-bolt fog light assembly to the mounting plate and Adapter Bracket

- (3) 4mm Screws
- (3) 4mm Lock Washers
- (3) 4mm Flat Washers



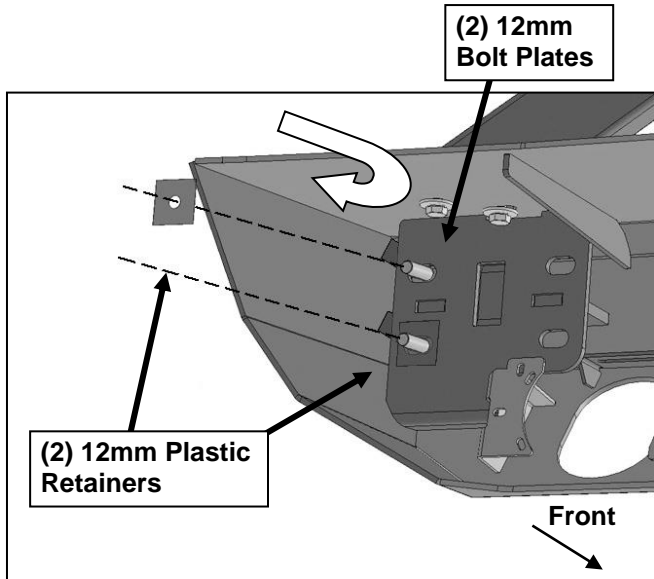
(Fig 14) 2018-on Sport model with 1pc plastic bumper cover. Driver/left Fog light assembly pictured



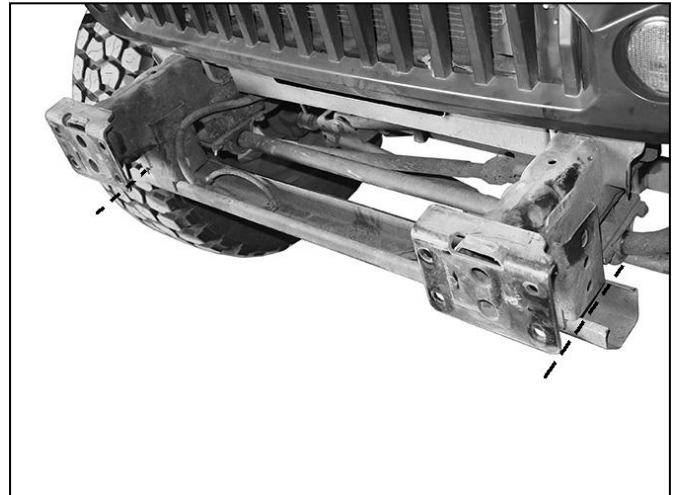
(Fig 15) Attach 2018-on Sport model fog light assembly to mounting plates, no adapters required. Driver/left side of Bumper illustrated

- 4mm x 20mm Screw
- (2) 4mm Flat Washers
- 4mm Nylon Lock Nut

**1PC STUBBY FRONT BUMPER
07-18 JEEP JK & JL WRANGLER**

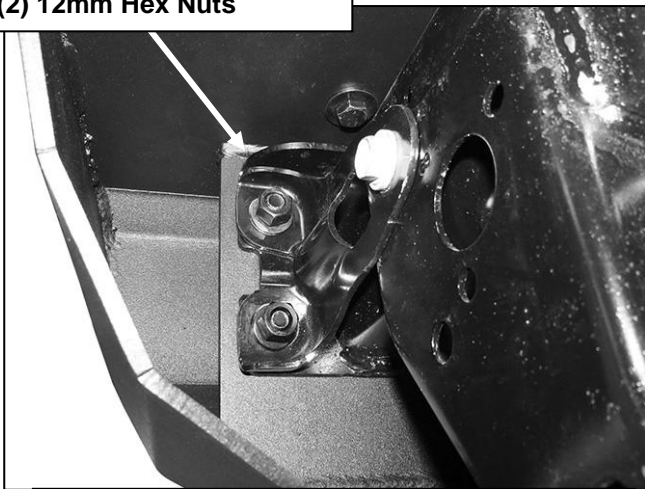


(Fig 16) Insert (2) Bolt Plates along the side of the Bumper and back through outer slots in mounting plate. Thread Plastic Retainer onto Bolt Plates to help hold in position



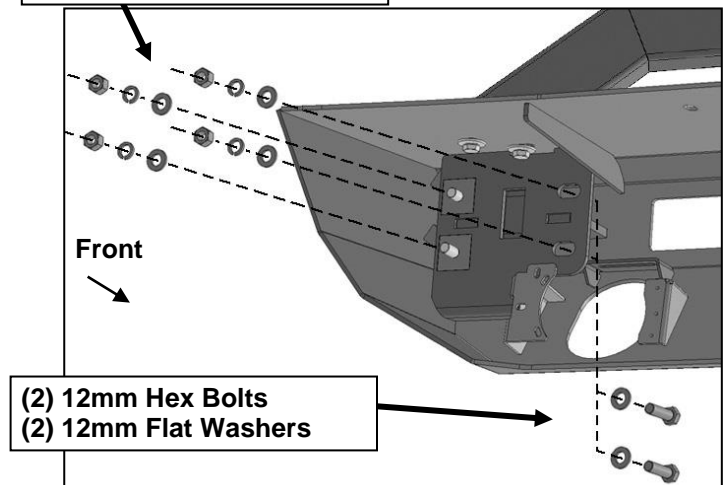
(Fig 17) Check Bumper for clearance on JK models. Cut overhanging ends off of crossmember if necessary to clear Bumper

- (2) 12mm Flat Washers
- (2) 12mm Lock Washers
- (2) 12mm Hex Nuts



(Fig 18) Attach Bolt Plates in Bumper to frame brackets (JL driver/left side pictured)

- (4) 12mm Flat Washers
- (4) 12mm Lock Washers
- (4) 12mm Hex Nuts

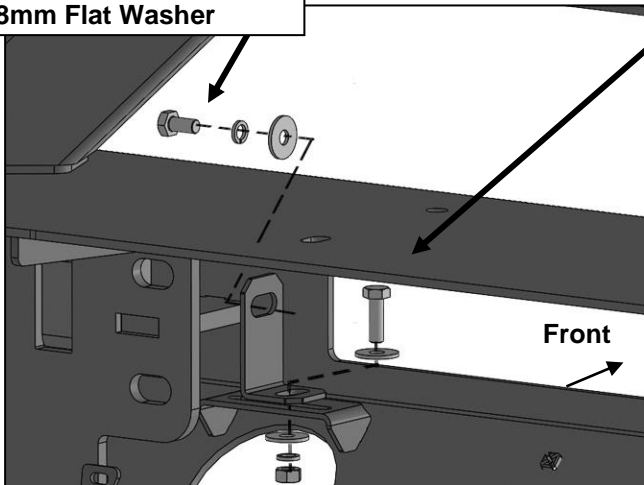


(Fig 19) Insert (2) 12mm Hex Bolts with (2) 12mm Flat Washers through the bumper bracket and into the OE frame bracket (driver/left side illustrated)

**1PC STUBBY FRONT BUMPER
07-18 JEEP JK & JL WRANGLER**

8mm x 16mm Hex Bolt
8mm Lock Washer
8mm Flat Washer

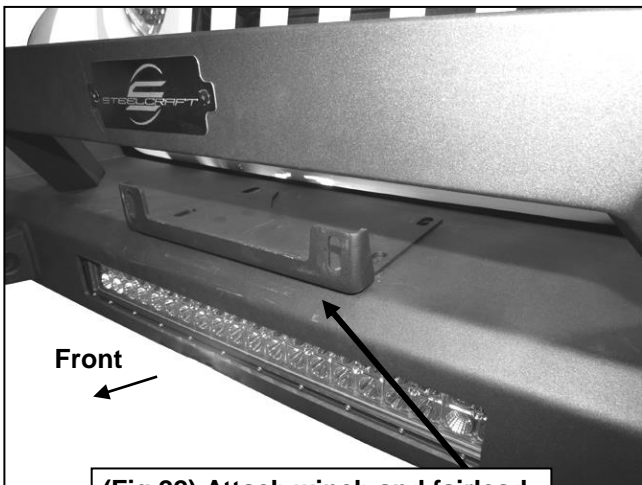
(1) 8mm x 25mm Hex Bolt
(2) 8mm Flat Washers
(1) 8mm Lock Washer
(1) 8mm Hex Nut



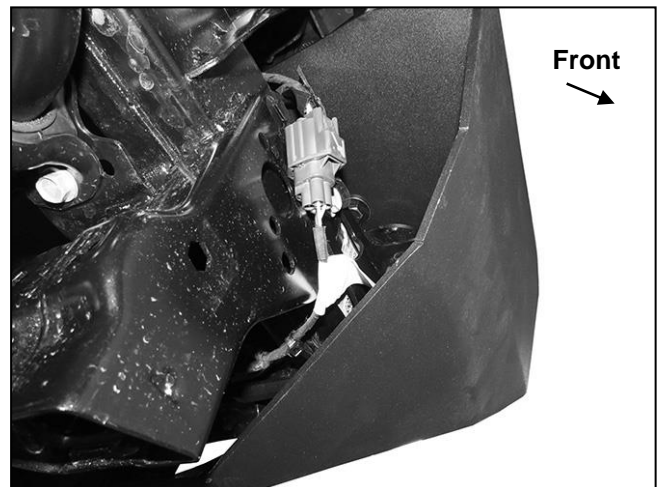
(Fig 20) Attach light bar (not included) with Brackets to mounting tabs on back of Bumper



(Fig 21) Light bar attached to LED Brackets pictured from the back of the bumper



(Fig 22) Attach winch and fairlead (not included) to Fairlead Bracket



(Fig 23) Plug fog light harness back into main harness



Complete Installation