

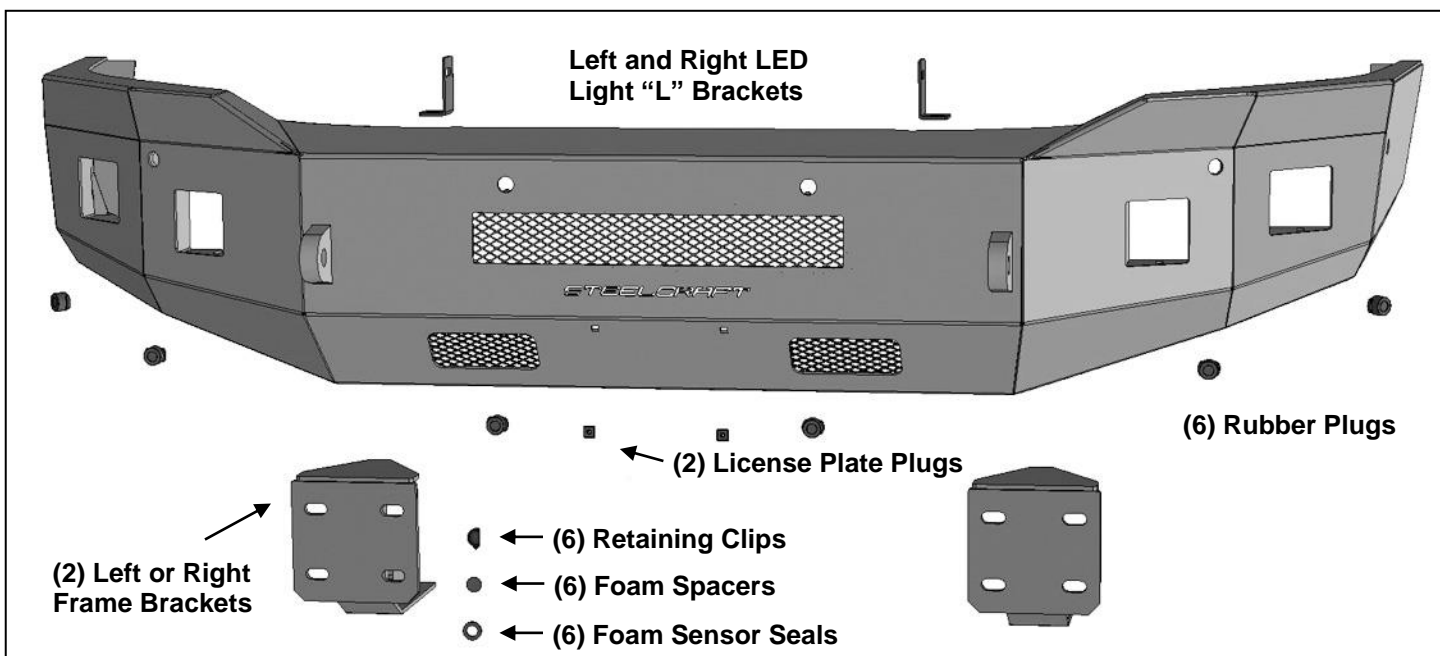
# **INSTALLATION INSTRUCTIONS**

**FORTIS FRONT BUMPER  
2019 DODGE RAM 2500-3500**

**FORTIS FRONT BUMPER  
2019 DODGE RAM 2500-3500**

**PARTS LIST:**

1	Fortis Front Bumper Assembly	8	12-1.75mm x 50mm Hex Bolts
2	Frame Mounting Brackets	16	12mm x 37mm OD x 3mm Flat Washers
1	Driver/left "L" Light Bracket	8	12mm Nylon Lock Nuts
1	Passenger/right "L" Light Bracket	2	8-1.25mm x 25mm Hex Bolts
2	License Plate Mounting Plugs	2	8-1.25mm x 16mm Hex Bolts
6	Sensor Retaining Clips	6	8mm x 24mm x 2mm Flat Washers
6	Foam Sensor Spacers	4	8mm Lock Washers
6	25mm x 15.5mm x 2mm Foam Seals	2	8mm Hex Nuts
6	Rubber Sensor Plugs	12	4mm x 10mm Socket Head Screws
1	Sensor Cover kit	1	Allen Wrench



**PROCEDURE:**

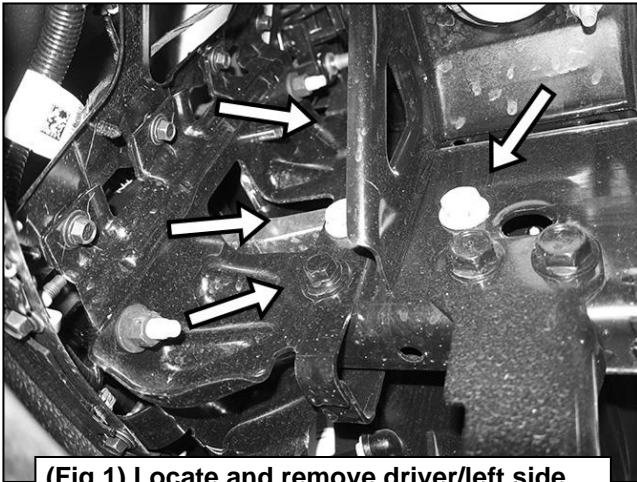
- 1. REMOVE CONTENTS FROM BOX. VERIFY ALL PARTS ARE PRESENT. READ INSTRUCTIONS CAREFULLY BEFORE STARTING INSTALLATION. BUMPER IS HEAVY, ASSISTANCE IS HIGHLY RECOMMENDED. CUTTING MAY BE REQUIRED.**
- Remove the license plate. On models with bumper mounted sensors and/or fog lights, unplug the wiring harness leading to the front bumper. Move the wiring harnesses out of the way.
- Remove the tow hooks and hardware, **(Figure 1)**. **NOTE:** Tow hooks cannot be reinstalled.
- Locate the factory bumper bolts attaching the inner bumper brackets to the end of the frame, **(Figure 1)**. With assistance, remove the (2) long hex bolts per side to remove the bumper assembly, **(Figure 2)**. **WARNING!** Assistance is required to hold the bumper in place during hardware removal to prevent the bumper from falling.
- Remove the lower frame extension from the driver/left side of the frame, **(Figure 2)**. **NOTE:** Lower frame extension cannot be reinstalled.
- Select (1) Frame Bracket. Line up the holes in the Bracket with the outside of the driver/left side of the frame. Reuse the (2) factory long hex bolts to attach the Bracket to the end of the frame, **(Figure 3)**. Reuse the (2) hex bolts from the lower frame extension, **(Figure 2)**, to attach the lower mount on the Bracket to the side of the frame.
- Repeat **Steps 5 & 6** to attach the passenger/right side Mounting Bracket, **(Figure 4)**.

8. Carefully remove all sensors and the wiring harness from the back of the OE bumper, **(Figure 5)**. Note location of each sensor for correct reinstallation.  
**Models without bumper sensors:**
  - a. Select the included (6) Rubber Plugs.
  - b. From behind bumper, push plugs into sensor mounting holes, **(Figure 6)**. Use the included 4mm Screws to lock Plugs in mounting sleeves if desired.**Models with bumper mounted sensors:**
  - a. Select the driver/left outer sensor. Remove the seal from the end of the sensor, **(Figure 7)**. Replace the seal with the included larger Foam Seal.
  - b. Push the sensor into the mounting socket in the back of the Bumper.
  - c. Apply (1) Foam Washer to the plug end of the sensor, **(Figure 8)**. Trim Washer as required.
  - d. Secure the sensor to the socket with (1) Sensor Retaining Clip, **(Figure 8)**.
  - e. Move to the next sensor location. Repeat previous Steps to install the next sensor as you work your way across the Bumper.
  - f. Reinstall the factory wiring harness, **(Figure 9)**. **NOTE:** It may be necessary to remove some of the outer wiring cover to extend the reach of the harness to the sensors.
  - g. Secure harness to the Bumper as required.
9. **Center LED light installation (sold separately).**
  - a. Select the Left/Right "L" Brackets, **(Figure 10)**. Attach the Brackets to the top of the (2) mounting tabs welded onto the back of the bumper with the included 8mm x 25mm Hex Bolts, (4) 8mm Flat Washers, (2) 8mm Lock Washers and (2) 8mm Hex Nuts. Leave loose at this time.
  - b. Attach the LED light assembly to the "L" Brackets with the included (2) 8mm x 16mm Hex Bolts, (2) 8mm Lock Washers and (2) 8mm Flat Washers, **(Figure 10)**. Do not fully tighten hardware at this time. **IMPORTANT:** "L" Brackets are designed for 8mm light mounting hardware only. Modify "L" Brackets if necessary or use brackets supplied by the light manufacturer if possible, to install hardware larger than 8mm.
  - c. Follow light manufacturer's instructions to properly wire the light to the vehicle.
10. With assistance, position the Bumper assembly up to the (2) Frame Brackets. **WARNING:** To avoid possible injury or damage to the vehicle, do not proceed until the Bumper is fully and safely supported. Attach the Bumper to the Frame Brackets with (8) 12mm x 50mm Hex Bolts, (16) 12mm Flat Washers and (8) 12mm Nylon Lock Nuts, **(Figures 11 & 12)**. Snug but do not fully tighten hardware.
11. Level and adjust the Bumper to the vehicle and tighten all hardware.
12. Install (2) plastic License Plate Plugs into the holes in the Bumper, **(Figure 13)**. Reuse factory screws to attach license plate to Plugs.
13. Do periodic inspections to the installation to make sure that all hardware is secure and tight.

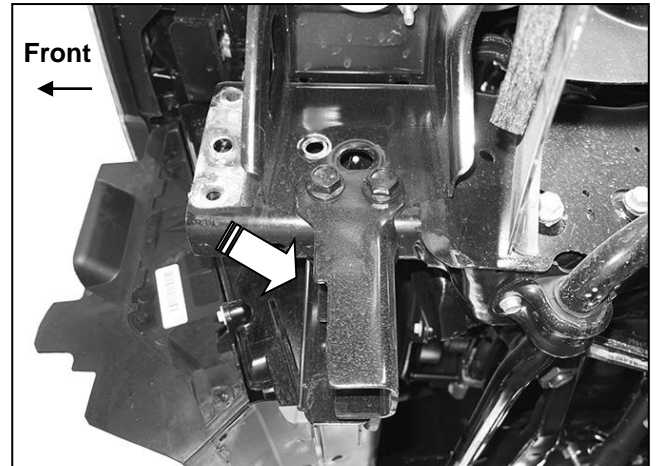
**To protect your investment**, do not use any type of polish or wax that may contain abrasives that could damage the finish. Mild soap may be used to clean the Bumper Assembly.

Driver Side Installation Pictured

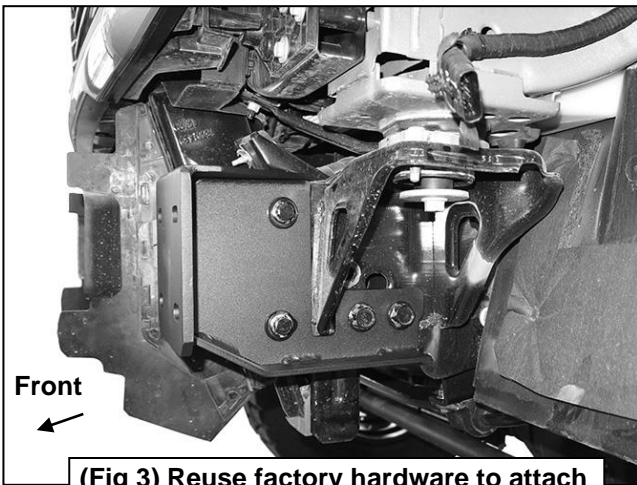
**WARNING!** To avoid possible injury or damage to vehicle, do not remove bumper bolts unless the bumper is properly supported on blocks or stands or the bumper may fall.



(Fig 1) Locate and remove driver/left side bumper bracket to frame hardware (arrows)



(Fig 2) Remove tow hook (Fig 1) and lower frame extensions (arrow) from bottom of the frame



(Fig 3) Reuse factory hardware to attach (1) Bracket to the outside of the frame (driver/left side pictured)

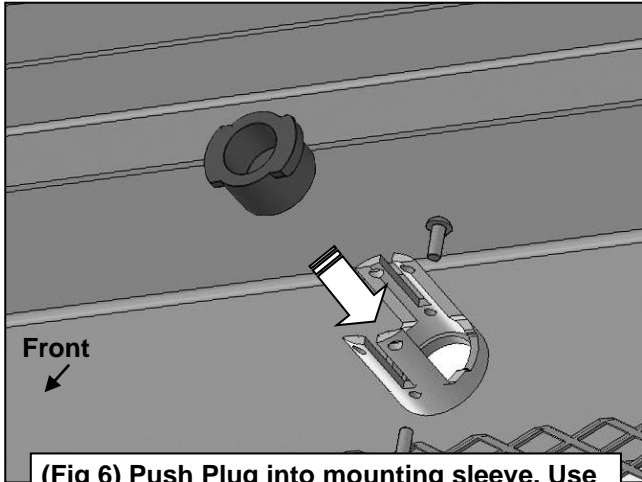


(Fig 4) Frame Brackets installed



(Fig 5) Remove harness and parking sensors from factory bumper if equipped

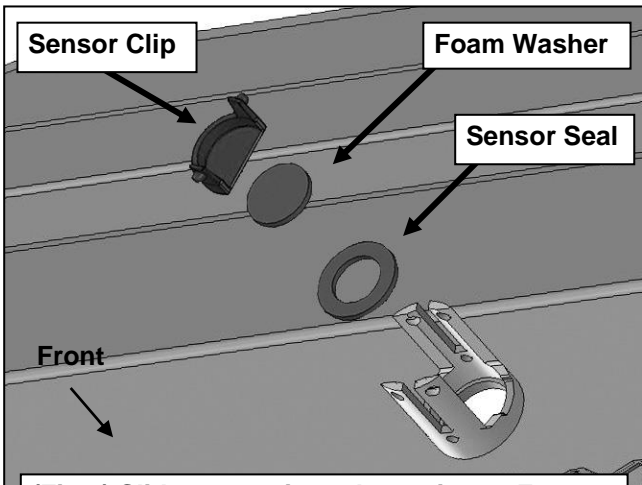
Driver Side Installation Pictured



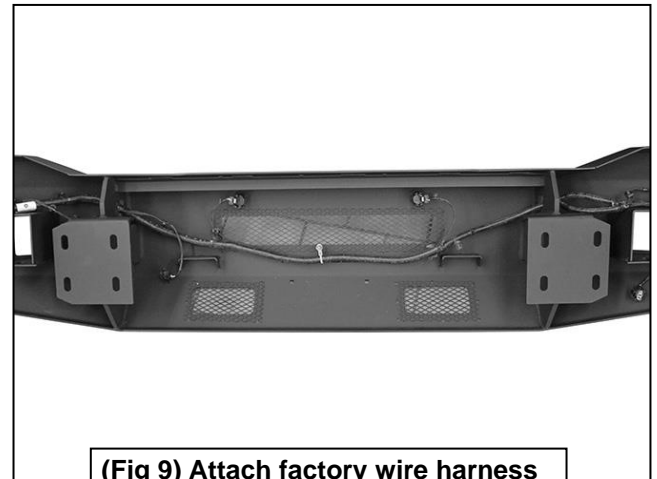
(Fig 6) Push Plug into mounting sleeve. Use 4mm Screws to lock Plug in place (optional).



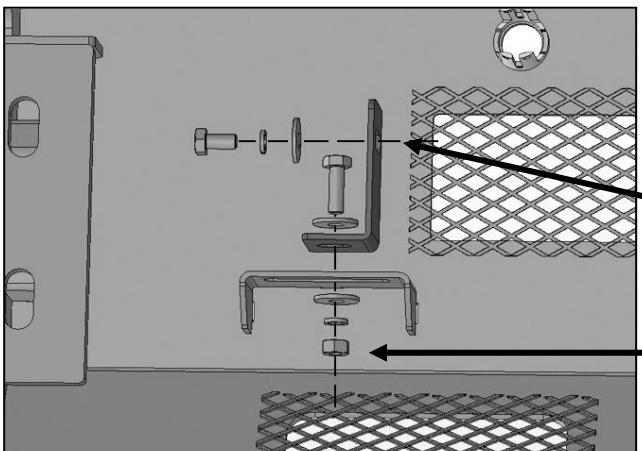
(Fig 7) Remove silicone seal from sensor. Slide larger Foam Seal over end of sensor (Fig 8)



(Fig 8) Slide sensor into sleeve, insert Foam Washer and Clip to lock sensor in sleeve



(Fig 9) Attach factory wire harness and sensors to back of Bumper

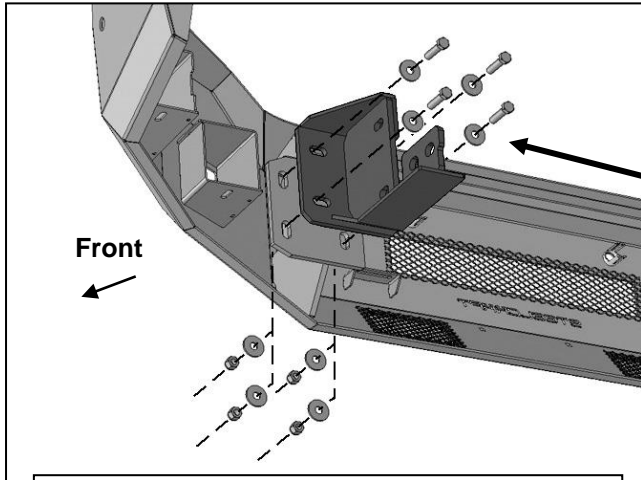


(Fig 10) Attach Left/Right LED Brackets to tabs on back of Bumper (left side illustrated)

8mm x 16mm Hex Bolt  
8mm Lock Washer  
8mm Flat Washer

8mm x 25mm Hex Bolt  
(2) 8mm Flat Washers  
8mm Lock Washer  
8mm Hex Nut

Driver Side Installation Pictured

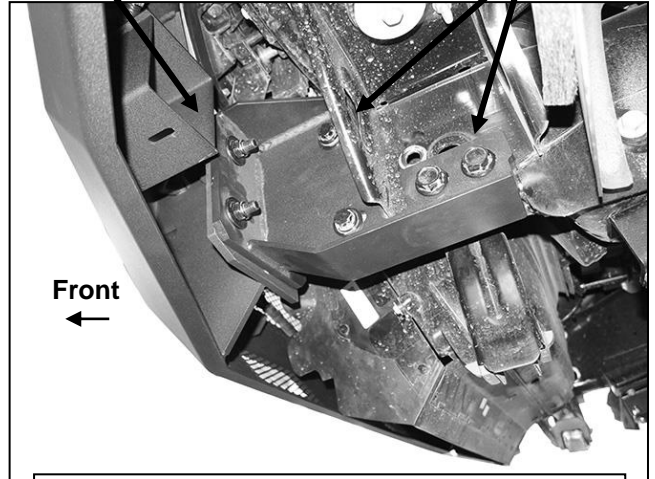


(Fig 11) Attach Bumper to driver/left Bracket

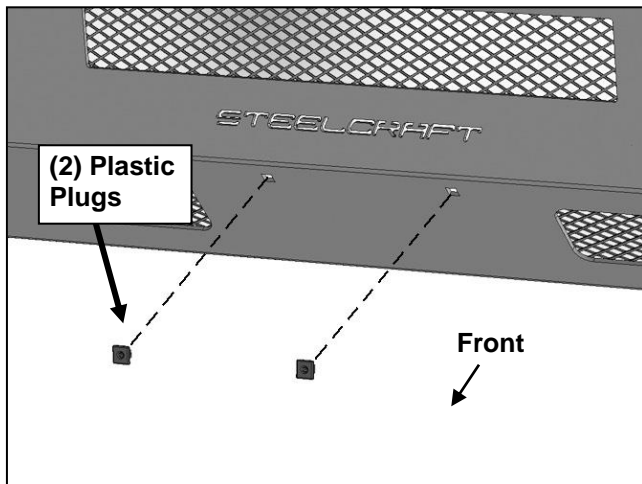
**WARNING!** Do not crawl under bumper unless the bumper is properly supported on blocks or stands or the bumper may fall.

- (4) 12mm x 50mm Hex Bolts
- (8) 12mm Flat Washers
- (4) 12mm Nylon Lock Nuts

Reuse factory hex bolts



(Fig 12) Driver/left side of Bumper installed



(Fig 13) Push Plastic Plugs into Bumper for license plate

