



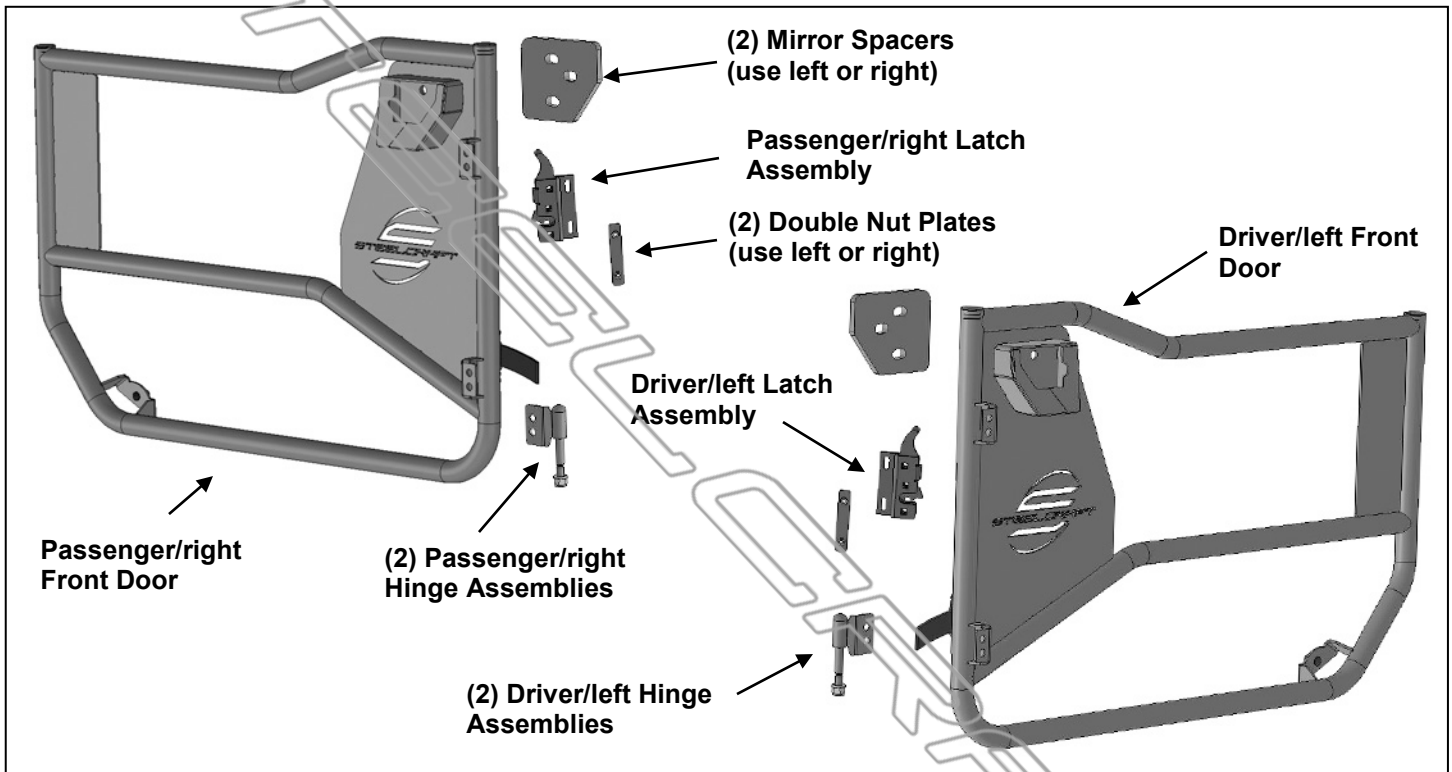
INSTALLATION INSTRUCTIONS

**TUBE FRONT DOORS
2018-ON JEEP WRANGLER JL**

**TUBE FRONT DOORS
2018-ON JEEP WRANGLER JL**

PARTS LIST:

1	Driver/left Front Door	4	10mm Nylon Lock Nuts
1	Passenger/right Front Door	8	8mm x 20mm Button Head Bolts
2	Driver/left Hinge Assemblies	16	8mm x 16mm x 1.6mm Flat Washers
2	Passenger/right Hinge Assemblies	8	8mm Nylon Lock Nuts
1	Driver/left Latch Assembly	4	6mm x 25mm Button Head Bolts
1	Passenger/right Latch Assembly	4	6mm x 22mm x 2mm Flat Washers
2	Mirror Spacers	4	6mm Lock Washers
2	6mm Double Nut Plates	1	5mm Wrench
4	10mm x 20mm x 2mm Flat Washers	1	4mm Wrench



PROCEDURE:

REMOVE CONTENTS FROM BOX. VERIFY ALL PARTS ARE PRESENT. READ INSTRUCTIONS CAREFULLY BEFORE STARTING INSTALLATION. ASSISTANCE IS RECOMMENDED.

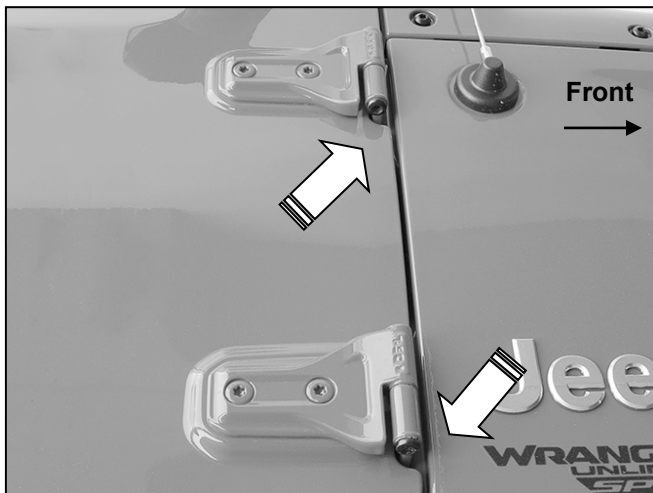
1. Start installation at the passenger/right front door. Roll window down fully into door. Remove the retaining screws from the bottom of the (2) outer door hinges, **(Figure 1)**.
2. Open the door and remove the outer mirror assembly, **(Figure 2)**.
3. Remove the plastic cover from the base of the limit strap in footwell, **(Figure 3)**. On models with power/heated mirrors, unplug the wiring harness. Release the limit strap from the mounting bracket, **(Figure 4)**.
4. Next, remove the screw attaching the check rod to the body, **(Figure 5)**. Reinsert screw into door frame to plug hole in frame. **NOTE:** To prevent the door from swinging fully open and possible damage, have someone hold door in place after check rod and limit strap are removed.
5. Insert arm through open window and lift door straight up and out from hinges. Move door to a clean stable surface.
6. Select the passenger/right Door Assembly and (2) passenger/right Door Hinges. Attach (1) Door Hinge to the top mount on the Door with the included (2) 8mm x 20mm Button Head Bolts, (4) 8mm Flat Washers and (2) 8mm Nylon Lock Nuts, **(Figure 6)**. Do not tighten hardware at this time. Repeat this Step to attach the remaining passenger/right Hinge to the lower mounting plate on the door.

**TUBE FRONT DOORS
2018-ON JEEP WRANGLER JL**

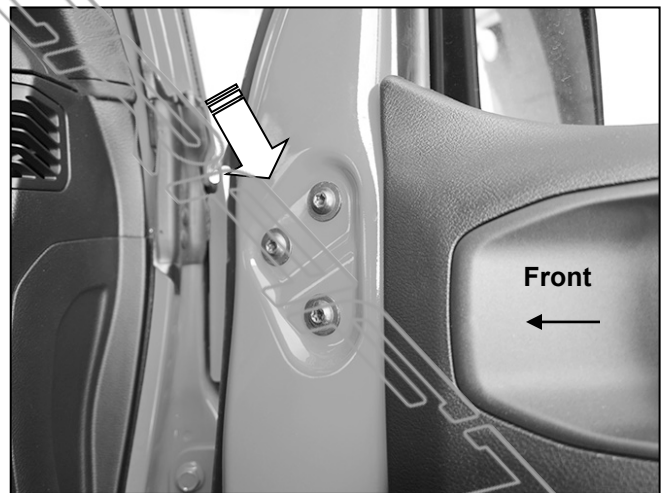
7. Select the passenger/right Latch Assembly and (1) 6mm Double Nut Plate. Attach the Latch to the mounting tab on the rear of the door and the Double Nut Plate with (2) 6mm x 25mm Button Head Bolts, (2) 6mm Lock Washers and (2) 6mm Flat Washers, **(Figure 7)**. **NOTE:** On the front doors, the latches will install with the handle up. Do not fully tighten hardware.
8. Apply a thin coating of waterproof grease, (not included), to the Hinge Pins. Carefully hold the door in place over the hinges on the vehicle. Guide the Hinge Pins down and into the hinges. Secure each Hinge Pin to the hinge with (1) 10mm Flat Washer and (1) 10mm Nylon Lock Nut, **(Figures 8 & 9)**. Leave Lock Nut loose at this time.
9. Attach the Limit Strap on the Door to the bracket on the vehicle, **(Figure 10)**.
10. Open and close the door a few times to center the hinge pins in the hinges. Center the Door assembly in the opening in the vehicle. Adjust as necessary and fully tighten Hinge to Door hardware only.
11. Adjust the position of the Latch assembly outward in the slots as far as possible, **(Figures 11 & 12)**. Snug but do not fully tighten hardware. Slowly close the door and check to see if it is lined up with the striker. Adjust as necessary and tighten hardware. **IMPORTANT:** Make sure Latch will **fully close and open** properly before fully tightening Latch hardware. Check to see that the latch fully closes then gradually move the latch in toward the door to tighten up the door. Once Door is fully adjusted, tighten the bottom 10mm Lock Nuts on the Hinges until there is slight resistance in the door operation.
12. Reinstall the plastic cover removed in **Step 3**.
13. Select (1) Mirror Spacer Plate. Hold the mirror up to the outside of the Door. Insert the factory screws through the Spacer on the inside of the Door and into the mirror, **(Figure 13)**. Tighten hardware at this time.
14. Repeat **Steps 1—13** to install the driver/left Door assembly.
15. Do periodic inspections to the installation to make sure that all hardware is secure and tight.

To protect your investment, do not use any type of polish or wax that may contain abrasives that could damage the finish. Mild soap may be used to clean the Doors.

Passenger/Right Side Installation Pictured

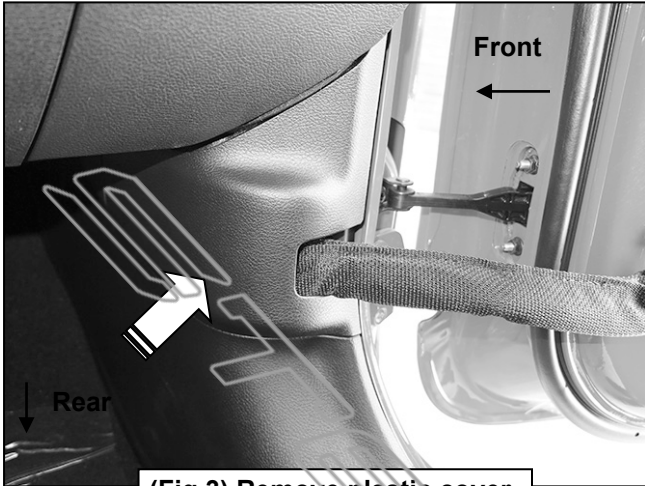


(Fig 1) Remove retaining screws from bottom of hinges (arrows)

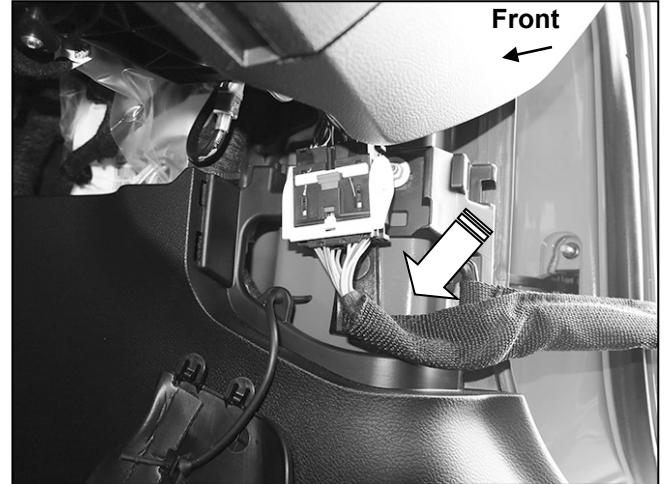


(Fig 2) Remove screws to remove mirror (arrow)

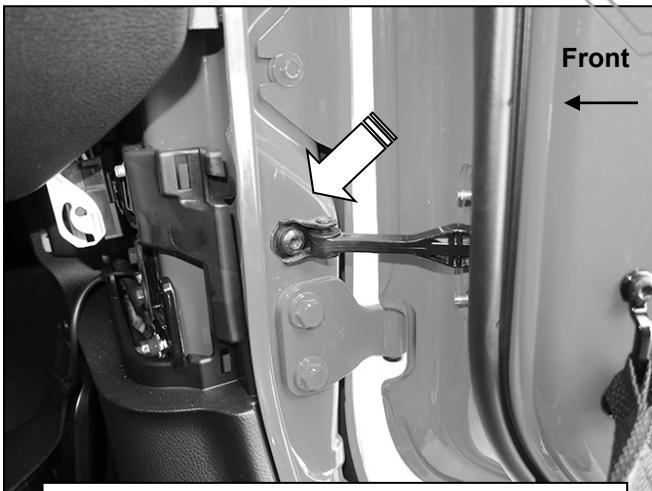
Passenger/Right Side Installation Pictured



(Fig 3) Remove plastic cover

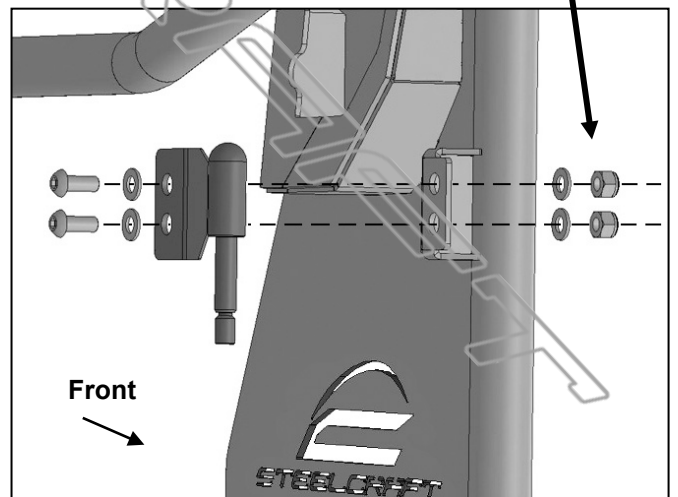


(Fig 4) Unplug wiring harness if equipped.
Release door stop strap from bracket (arrow)



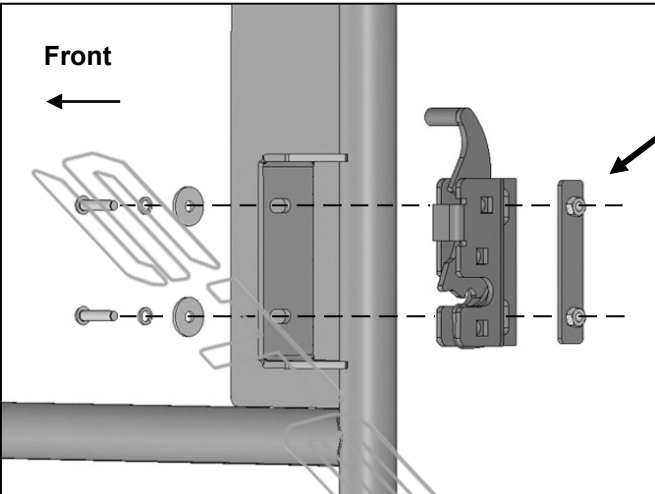
(Fig 5) Remove screw to release door check rod. Lift door straight up to remove door

- (2) 8mm x 20mm Button Head Bolts
- (4) 8mm Flat Washers
- (2) 8mm Nylon Lock Nuts



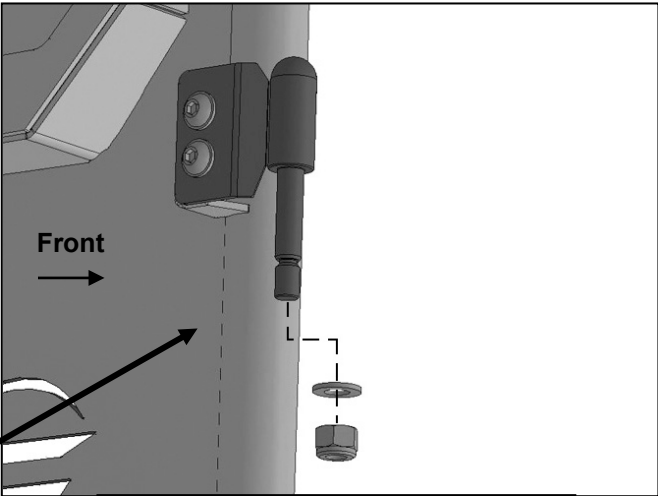
(Fig 6) Attach (2) Passenger/right Hinges to Door

Passenger/Right Side Installation Pictured

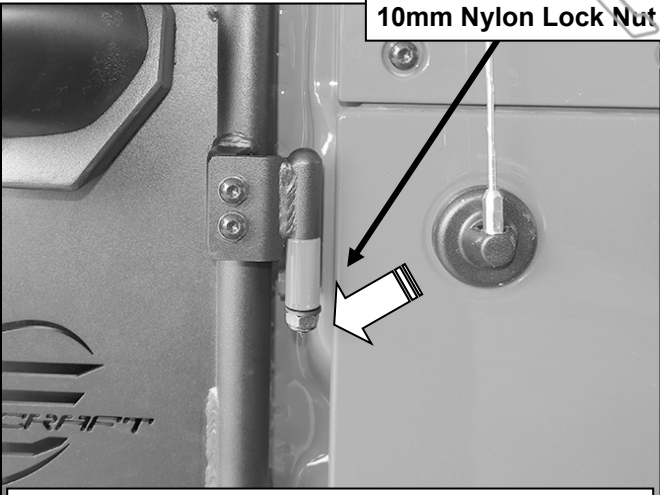


- (2) 6mm x 25mm Button Head Bolts
- (2) 6mm Lock Washers
- (2) 6mm Flat Washers
- 6mm Double Nut Plate

(Fig 7) Attach passenger/right Door Latch to Door



(Fig 8) Lift door, guide Hinge Pins down through hinge on vehicle

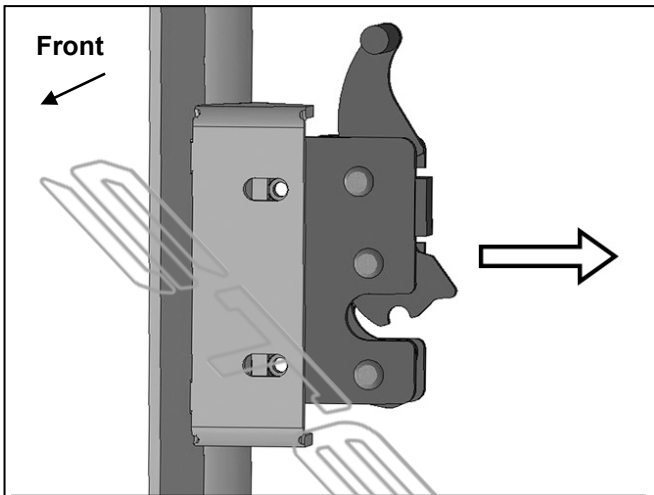


(Fig 9) Door attached to hinge assembly (arrow)

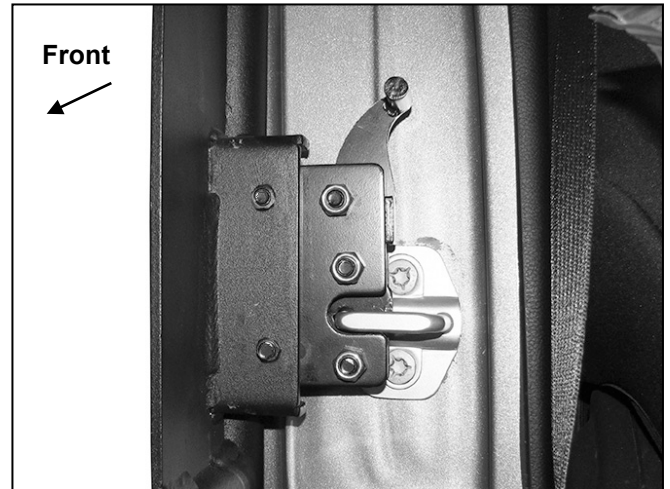


(Fig 10) Slide end of Door Stop Strap onto bracket)driver/left front Door pictured)

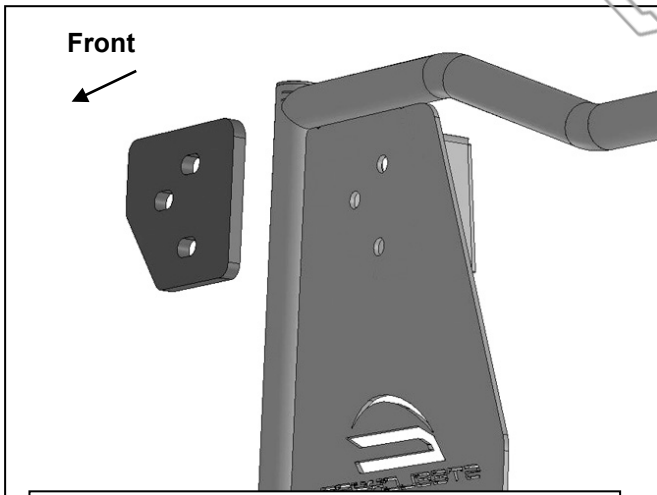
Passenger/Right Side Installation Pictured



(Fig 11) Slide Latch to the outer end of the slots and insert Button Head Bolts to start, check fitment against striker, then gradually move in to tighten door against bumper



(Fig 12) Adjust Door and Latch assembly for proper operation before fully tightening hardware. Make sure door latch fully closes against striker



(Fig 13) Reuse factory screws to attach mirror to Door with Spacer on back of door

