

INSTALLATION INSTRUCTIONS

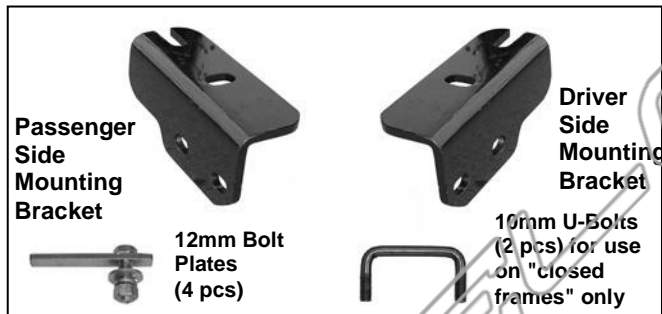
3" BULL BAR

04-09 F-150, 03-08 EXPEDITION, 07-08 LINCOLN MK-LT

PART #

PARTS LIST:

1	Bull Bar	8	12mm x 30.1mm OD x 3.1mm Flat Washers (for Bull Bar)
1	Driver/Left Mounting Bracket	8	12mm Hex Nuts
1	Passenger/Right Mounting Bracket	2	10mm U-Bolt (for use on "closed frames" only)
4	12mm x 40mm Bolt Plates	4	10mm x 26mm OD x 3.1mm Flat Washers
4	12-1.75mm x 35mm Hex Head Bolts	4	10mm Lock Washers
8	12mm Lock Washers	4	10mm Hex Nuts
4	12mm x 24.1mm OD x 2.1mm Flat Washers (for Mounting Bracket to frame)		



PROCEDURE:

1. REMOVE CONTENTS FROM BOX. VERIFY ALL PARTS ARE PRESENT. READ INSTRUCTIONS CAREFULLY BEFORE STARTING INSTALLATION.

NOTE: It may be necessary to remove/relocate the front license plate and license plate bracket. It is not required, but strongly recommended. If local/state law requires a license plate, license plate relocation kit is available.

NOTE: It may be necessary to remove the lower plastic portion of the bumper to gain access to the ends of the frame rails. The indented pockets in the lower bumper will need to be cut out to allow the Mounting Brackets to pass through.

2. Vehicles with Factory Tow Hooks

Remove tow hooks by removing the front bolt and only loosening the rear bolt. Slide the tow hooks off. Keep the factory double nut plate in the frame and aligned with the holes.

NOTE: This Bull Bar is not compatible with the factory tow hooks, so you will not be reinstalling the tow hooks.

Position the Mounting Bracket up to the bottom of the frame and secure it with the factory tow hook bolts and factory double nut plate, **(Figure 1)**.

Vehicles without Tow Hooks

Starting on the driver side of the vehicle, insert (1) 12mm Bolt Plate through the opening in the open front end of the frame and down through the rear hole in the bottom of the frame, **(Figure 2)**. Thread (1) 12mm x 24.1mm OD x 2.1mm Flat Washer, (1) 12mm Lock Washer and (1) 12mm Hex Nut onto the threaded end of the Bolt Plate. Slide the

slotted end of the driver side Mounting Bracket under the nut and washers. Insert the second 12mm Bolt Plate through the remaining hole toward the front of the Mounting Bracket. Secure with (1) 12mm Lock Washer, (1) 12mm x 24.1mm OD x 2.1mm Flat Washer and (1) 12mm Hex Nut. Snug but do not tighten the hardware at this time.

Vehicles with "closed ends" on front of frame

Starting on the driver side of the vehicle, locate the two holes on the bottom of the frame. Insert (1) 10mm U-Bolt into one hole and out the other, (**Figure 3A & 3B**). Hold the driver side Mounting Bracket in position with the slotted end toward the rear. Secure the Mounting Bracket to the U-Bolt with (2) 10mm x 26mm OD x 3.1mm Flat Washers, (2) 10mm Lock Washers and (2) 10mm Hex Nuts, (**Figure 4**). Snug but do not tighten the hardware.

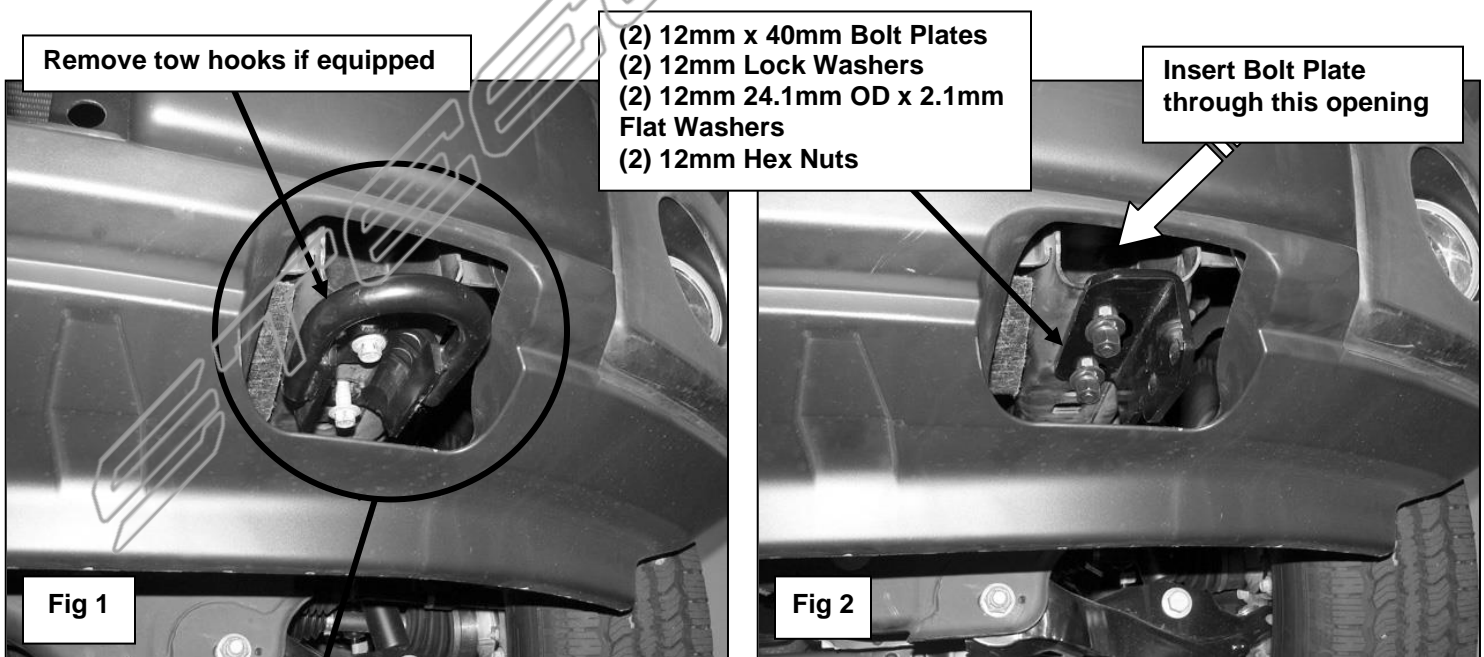
3. Repeat the appropriate Step 3 for the passenger side Mounting Bracket installation.
4. With help position the Bull Bar on the inside of the Mounting Brackets. Use the included (4) 12mm x 35mm Hex Bolts, (4) 12mm lock Washers, (8) 12mm Flat Washers and (4) 12mm Hex Nuts to attach the Bull Bar to the Mounting Brackets, (**Figure 5**). Do not tighten at this time.
5. Align and adjust the Bull Bar properly, and tighten all hardware.
6. Do periodic inspections to the installation to make sure that all hardware is secure and tight.

To protect your investment, wax this product after installing. Regular waxing is recommended to add a protective layer over the finish. Do not use any type of polish or wax that may contain abrasives that could damage the finish.

For stainless steel: Aluminum polish may be used to polish small scratches and scuffs on the finish. Mild soap may be used also to clean the Bull Bar.

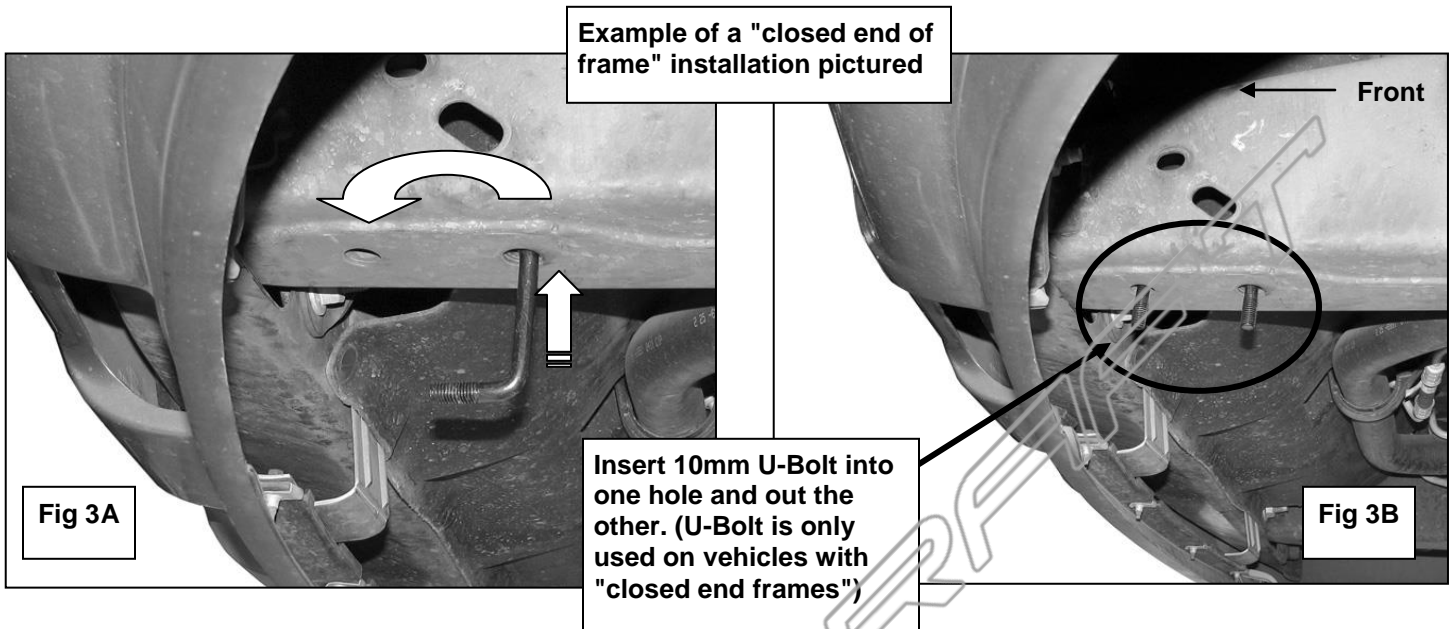
For gloss black finishes: Mild soap may be used to clean the Bull Bar.

Driver Side Installation Pictured



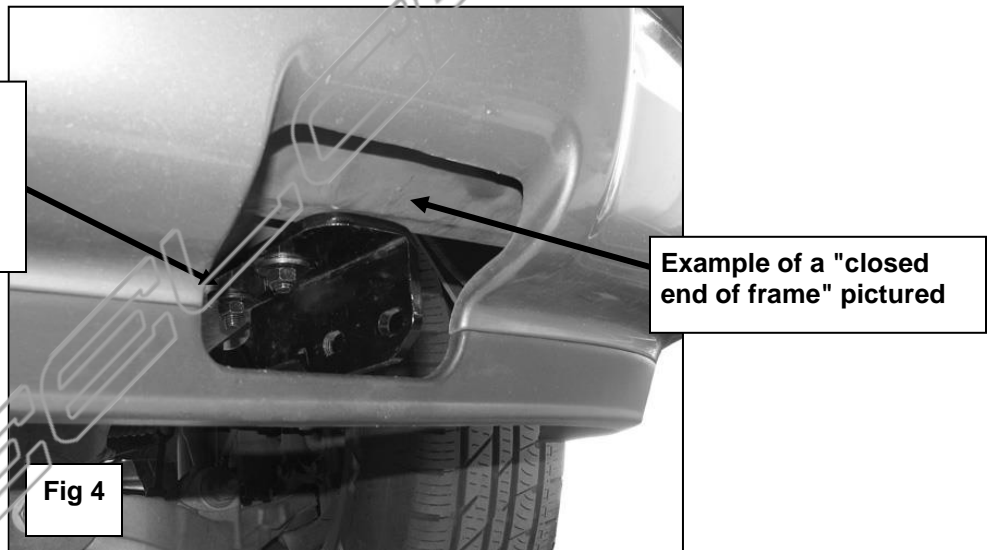
NOTE: On vehicles without tow hooks, the area circled above may be covered by an indented plastic panel. Cut or remove the panel as required to gain access to the front of the frame rail to allow bottom brackets to pass through the bumper cover.

Driver Side Installation Pictured



- 10mm U-Bolt
- (2) 10mm Lock Washers
- (2) 10mm 26mm OD x 3.1mm Flat Washers
- (2) 10mm Hex Nuts

NOTE: On vehicles without tow hooks, this area may be covered by an indented plastic panel. Cut or remove the panel as required to gain access to the front of the frame rail to allow bottom brackets to pass through the bumper cover.



- (2) 12mm x 35mm Hex Bolts
- (2) 12mm Lock Washers
- (2) 12mm 30.1mm OD x 3.1mm Flat Washers
- (2) 12mm Hex Nuts