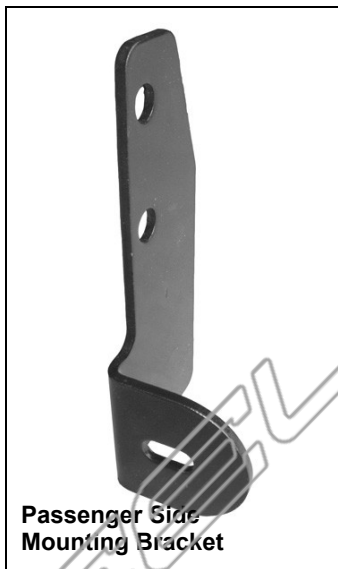


INSTALLATION INSTRUCTIONS
BULL BAR
99.5-04 NISSAN PATHFINDER
PART #

PARTS LIST:

1	Bull Bar	2	1/2" x 2" Hex Head Bolts
1	Driver/Left Mounting Bracket	2	1/2" Lock Washers
1	Passenger/Right Mounting Bracket	2	1/2" ID x 1 3/8" OD x 3/32" Flat Washers



PROCEDURE:

- 1. REMOVE CONTENTS FROM BOX. VERIFY ALL PARTS ARE PRESENT. READ INSTRUCTIONS CAREFULLY BEFORE STARTING INSTALLATION.**
- 2. NOTE:** It may be necessary to remove/relocate front license plate and license plate bracket. It is not required, but strongly recommended. If local/state law requires a license plate, license plate relocation kit is available.
3. Remove the six screws from lower part of the bumper that secures the plastic shroud. Move the plastic shroud to gain access to the tow hooks bolts.
4. Starting on the driver side, locate and remove the two front 10mm factory bolts securing the tow hook to the frame. Loosely attach driver side Mounting Bracket to frame using the factory tow hook bolts. Repeat this step for passenger side.
5. Re-install the plastic shroud back to the vehicle using the factory screws removed in step 3.

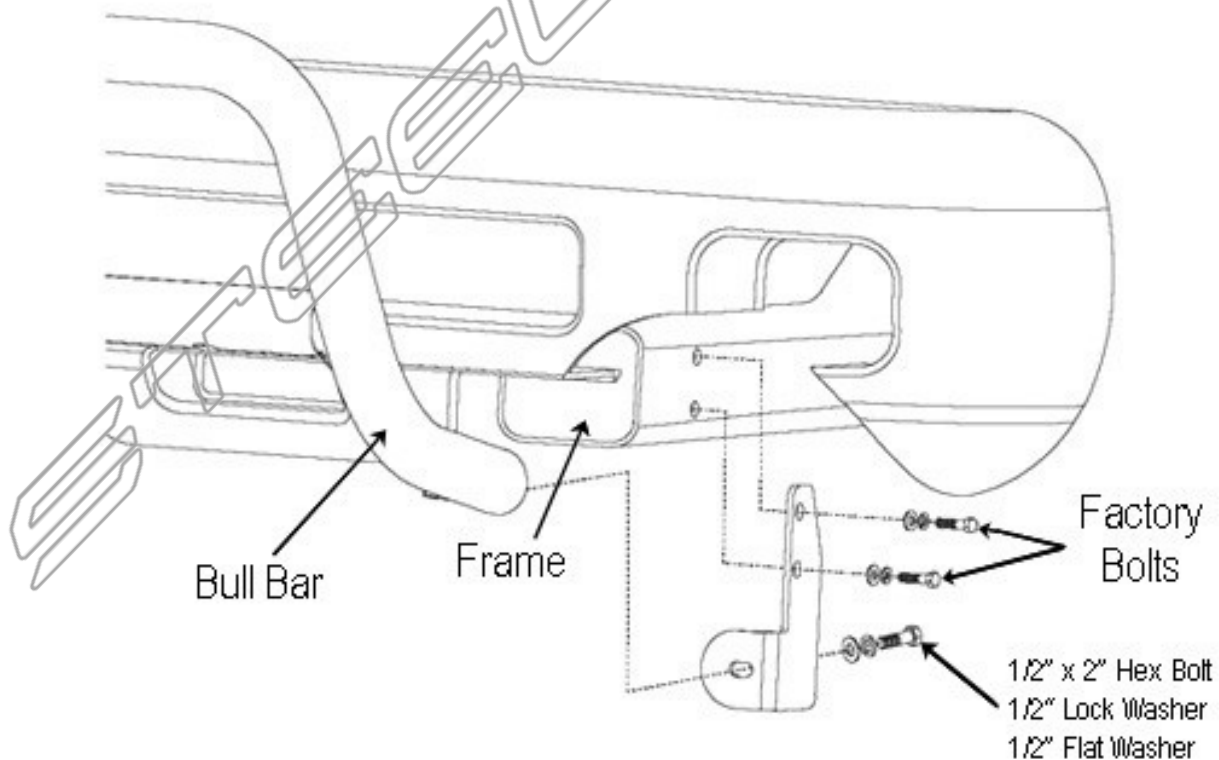
6. Attach Bull Bar to Mounting Brackets using the included (2) 1/2" x 2" Hex Head Bolts, (2) 1/2" Lock Washers, (2) 1/2" Flat Washers. Do not tighten at this time.
7. Level and adjust Bull Bar properly; and then tighten all hardware at this time.
8. Do periodic inspections to the installation to make sure that all hardware is secure and tight.

To protect your investment, wax this product after installing. Regular waxing is recommended to add a protective layer over the finish. Do not use any type of polish or wax that may contain abrasives that could damage the finish.

For stainless steel: Aluminum polish may be used to polish small scratches and scuffs on the finish. Mild soap may be used also to clean the Bull Bar.

For gloss black finishes: Mild soap may be used to clean the Bull Bar.

(Driver Side Installation Shown)



STEELCRAFT