

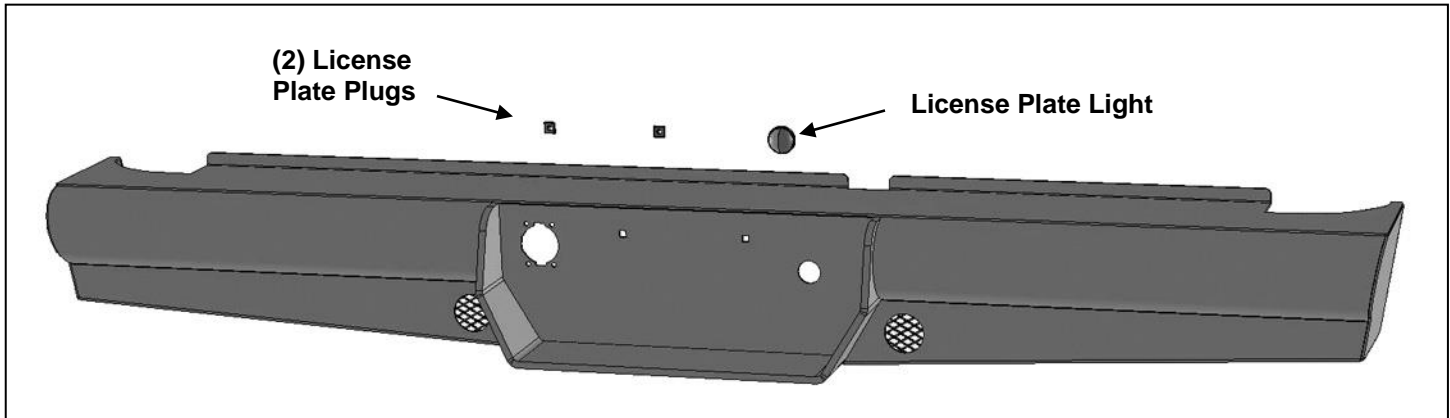
INSTALLATION INSTRUCTIONS

**HD REPLACEMENT REAR BUMPER
2003-09 DODGE RAM 2500-3500**

**HD REPLACEMENT REAR BUMPER
2003-09 DODGE RAM 2500-3500**

PARTS LIST:

1	HD Replacement Rear Bumper Assembly	12	12mm x 37mm x 3mm Large Flat Washers
1	License Plate Light	6	12mm Nylon Lock Nuts
2	License Plate Mounting Plugs	4	5mm x 20mm Hex Bolts
2	12-1.75mm x 120mm Hex Bolts	8	5mm x 10mm x 1mm Flat Washers
4	12-1.75mm x 50mm Hex Bolts	4	5mm Lock Washers
		4	5mm Hex Nuts



PROCEDURE:

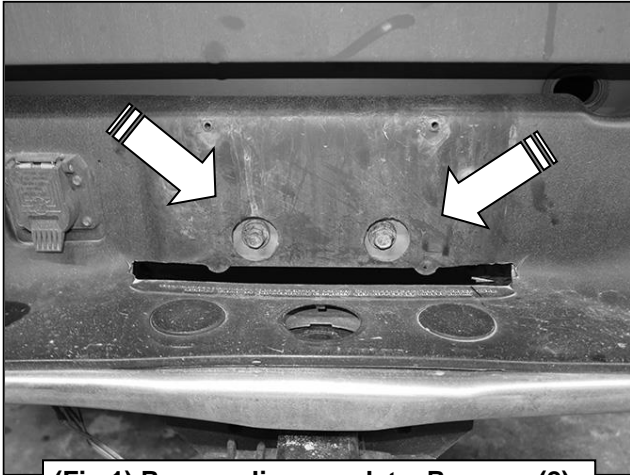
- 1. REMOVE CONTENTS FROM BOX. VERIFY ALL PARTS ARE PRESENT. READ INSTRUCTIONS CAREFULLY BEFORE STARTING INSTALLATION. BUMPER IS HEAVY, ASSISTANCE IS HIGHLY RECOMMENDED.**
- Remove the license plate. Next, remove the (2) hex bolts behind the license plate, **(Figure 1)**.
- From under the bumper, unplug the wiring harness leading to the back of the bumper. Move the wiring harness out of the way.
- Place blocks or jack stands under the bumper to support it during bumper bolt removal. Once the bumper has been safely supported, remove the factory bumper bolts attaching the driver/left bumper bracket to the side of the frame and hitch, **(Figure 2)**. Repeat this Step to remove the bolts attaching the passenger/right bumper bracket to the frame and slide the rear bumper off of the end of the frame, **(Figure 3)**. **WARNING!** Assistance is required to hold the bumper in place during hardware removal to prevent the bumper from falling.
- Remove the towing harness plug from the factory bumper. Attach the plug to the HD Bumper with the included (4) 5mm Bolts, (8) 5mm Flat Washers, (4) 5mm Lock Washers and (4) 5mm Hex Nuts, **(Figure 4)**.
- Insert the License Plate Light into the mounting hole in the bumper. Insert the included (2) push-in Plastic Plugs into the (2) holes in the Bumper, **(Figure 4)**.
- With assistance, carefully position the Bumper Assembly up to the vehicle, **(Figure 5)**. Temporarily support the weight of the Bumper. **WARNING:** To avoid possible injury or damage to the vehicle, do not proceed until the bumper is fully and safely supported.
- Attach the top mounting hole on the plate on the driver/left side of the Bumper to the end of the frame with (1) 12mm x 120mm Hex Bolt, (2) 12mm Flat Washers and (1) 12mm Nylon Lock Nut. Attach the bottom hole in the plate on the Bumper to the plate on the frame with (1) 12mm x 50mm Hex Bolt, (2) 12mm Flat Washers and (1) 12mm Nylon Lock Nut, **(Figure 5)**. Reuse the factory hex bolt to attach the center hole in the plate on the Bumper to the threaded hole in the plate on the frame, **(Figure 6)**. Do not tighten hardware at this time. Repeat this Step to attach the passenger/right side of the Bumper to the frame.
- Locate the (2) mounting holes in the horizontal mounting plate on the center/back of the Bumper behind the step area. Attach the mounting plate to the hitch with the included (2) 12mm x 50mm Hex Bolts, (4) 12mm Flat Washers and (2) 12mm Nylon Lock Nuts, **(Figures 7 & 8)**.
- Level and adjust the bumper to the vehicle and fully tighten all 12mm hardware to 65-70ft-lbs.

**HD REPLACEMENT REAR BUMPER
2003-09 DODGE RAM 2500-3500**

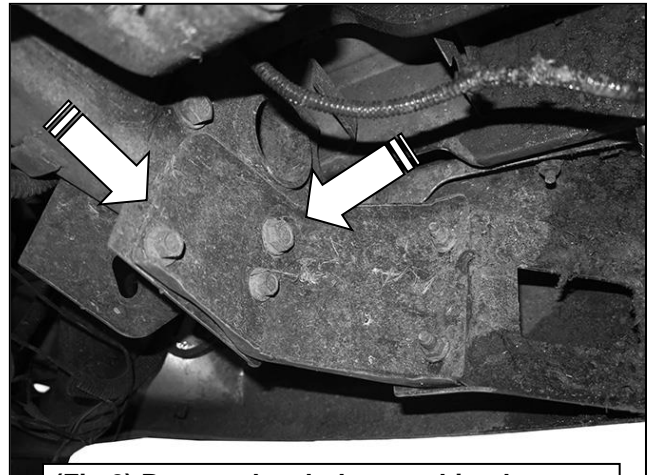
- 11. Reattach the wiring harness to the tow plug and License Plate Light.
- 12. Do periodic inspections to the installation to make sure that all hardware is secure and tight.

To protect your investment, Do not use any type of polish or wax that may contain abrasives that could damage the finish. Mild soap may be used to clean the Bumper Assembly

Driver/left Side Installation Pictured



(Fig 1) Remove license plate. Remove (2) hex bolts (arrows) behind license plate. Unplug wiring harness leading to bumper



(Fig 2) Remove hex bolts attaching bumper brackets to side of frame (arrows)

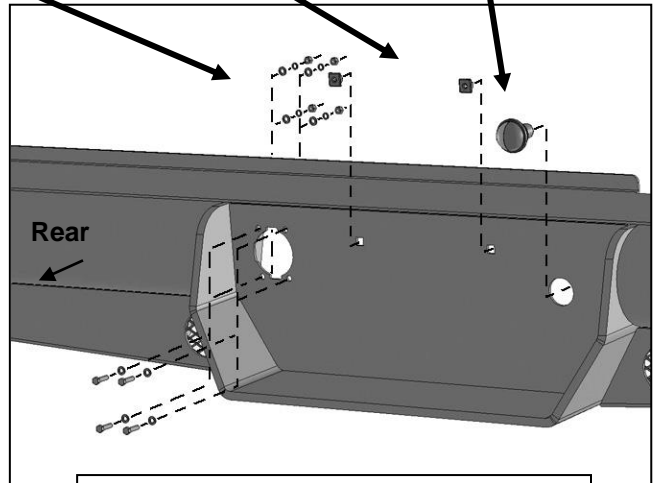
- (4) 5mm X 20mm Hex Bolts
- (8) 5mm Flat Washers
- (4) 5mm Lock Washers
- (4) 5mm Hex Nuts

(2) Plastic Plugs

License Plate Light

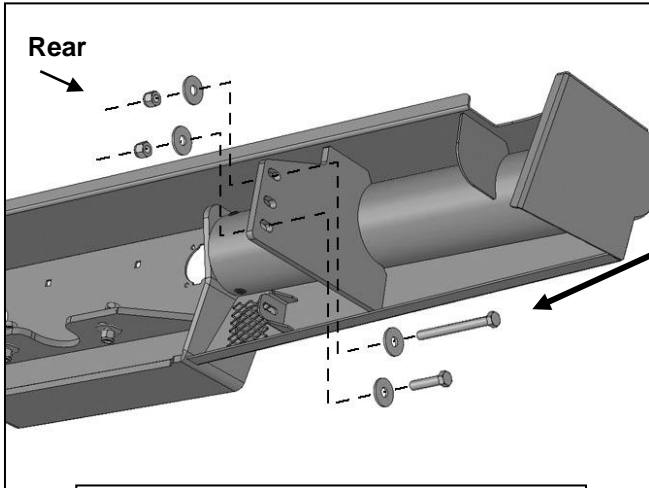


(Fig 3) Remove bumper



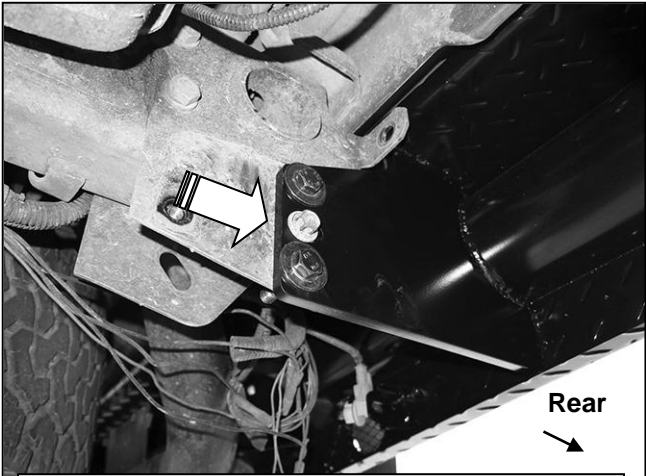
(Fig 4) Attach factory trailer plug to Bumper. Insert License Plate Light and (2) Plastic Plugs for license plate

**HD REPLACEMENT REAR BUMPER
2003-09 DODGE RAM 2500-3500**

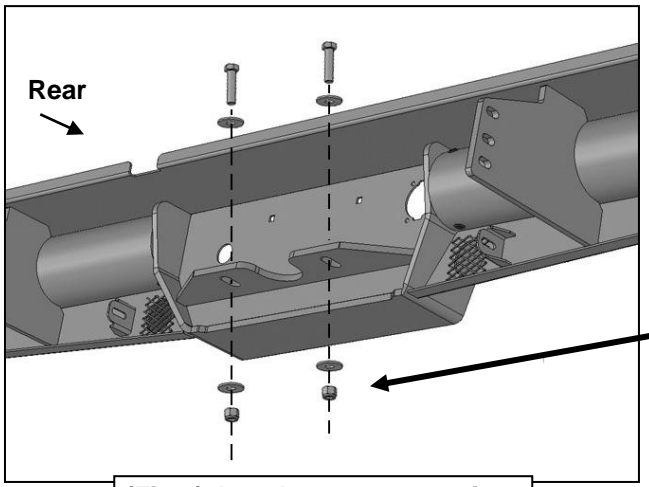


- 12mm X 120mm Hex Bolt (top)
- 12mm x 50mm Hex Bolt (bottom)
- (4) 12mm Flat Washers
- (2) 12mm Nylon Lock Nuts

(Fig 5) Attach Bumper to side of frame

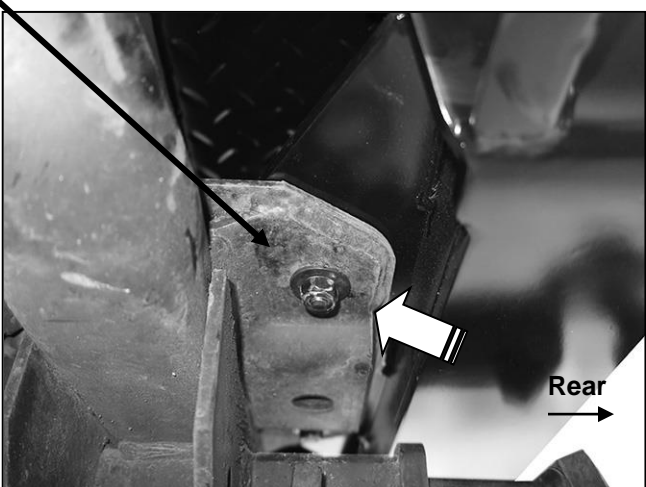


(Fig 6) Reuse factory hex bolt to attach center hole in mounting plate to frame (arrow)



- (4) 12mm x 50mm Hex Bolts
- (8) 12mm Flat Washers
- (4) 12mm Nylon Lock Nuts

(Fig 7) Attach center mounting plate to top of receiver hitch



(Fig 8) Attach center mounting plate to top of receiver hitch

