

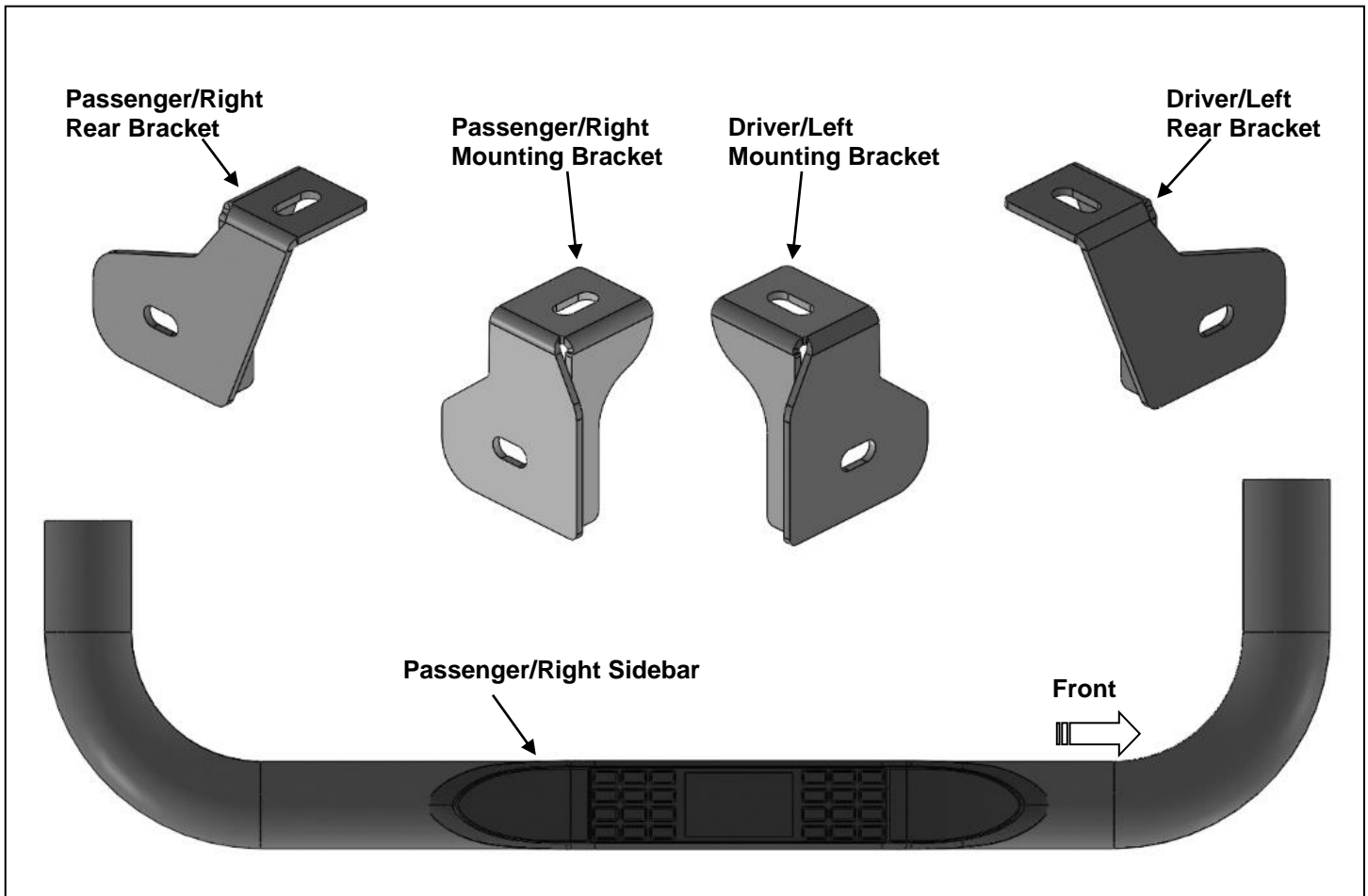
INSTALLATION INSTRUCTIONS

3" OVAL BENT END SIDEBARS

2019 CHEVY SILVERADO 1500 REGULAR CAB

PARTS LIST:

1	Driver/Left Sidebar	1	Passenger/Right Rear Mounting Bracket
1	Passenger/Right Sidebar	4	1/2" x 2" Hex Bolts
1	Driver/Left Front Mounting Bracket	4	1/2" Lock Washers
1	Passenger/Right Front Mounting Bracket	4	1/2" x 1-1/2" x 1/8" Flat Washers
1	Driver/Left Rear Mounting Bracket		



PROCEDURE:

REMOVE CONTENTS FROM BOX. VERIFY ALL PARTS ARE PRESENT. READ INSTRUCTIONS CAREFULLY BEFORE STARTING INSTALLATION. ASSISTANCE IS RECOMMENDED.

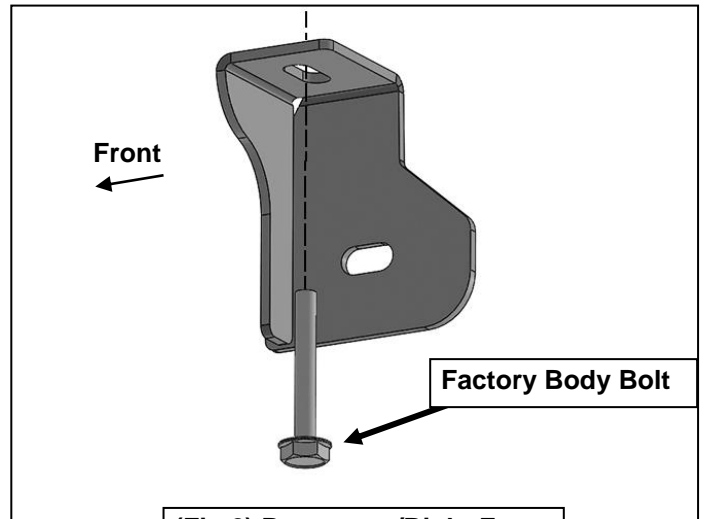
1. Start the installation under the Passenger/Right side of the vehicle. Locate the front body mount, **(Figure 1)**. Remove the front body bolt.
2. Select the Passenger/Right Front Mounting Bracket. Reuse the factory body bolt to attach the Bracket to the body mount, **(Figures 2 & 3)**. Do not tighten hardware at this time.
3. Move to the rear mounting location, **(Figure 4)**. Repeat **Steps 1 & 2** to attach the Passenger/Right Rear Mounting Bracket to the rear body mount, **(Figures 5 & 6)**.
4. Carefully unwrap and select the Passenger/Right Sidebar. Use the illustration above to help identify the correct Sidebar. Attach front of the Sidebar to the bracket with (1) 1/2" Hex Bolt, (1) 1/2" Lock Washer and (1) 1/2" Flat Washer, **(Figures 7 & 8)**. Do not tighten hardware.
5. Repeat **Step 4** to attach the rear of the Sidebar to the Rear Bracket, **(Figures 9 & 10)**. Do not tighten hardware at this time.
6. Level and adjust the Sidebar as necessary and fully tighten all hardware.
7. Repeat **Steps 1—6** for Driver/Left Sidebar installation.
8. Do periodic inspections to the installation to make sure that all hardware is secure and tight.

To protect your investment, wax this product after installing. Regular waxing is recommended to add a protective layer over the finish. Do not use any type of polish or wax that may contain abrasives that could damage the finish. Mild soap may be used also to clean the Sidebar.

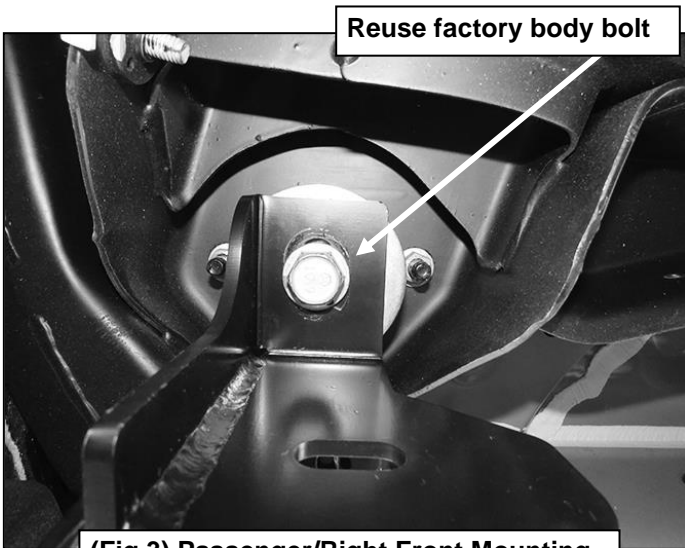
Passenger/Right Side Installation Pictured



(Fig 1) Passenger/Right Front mounting location

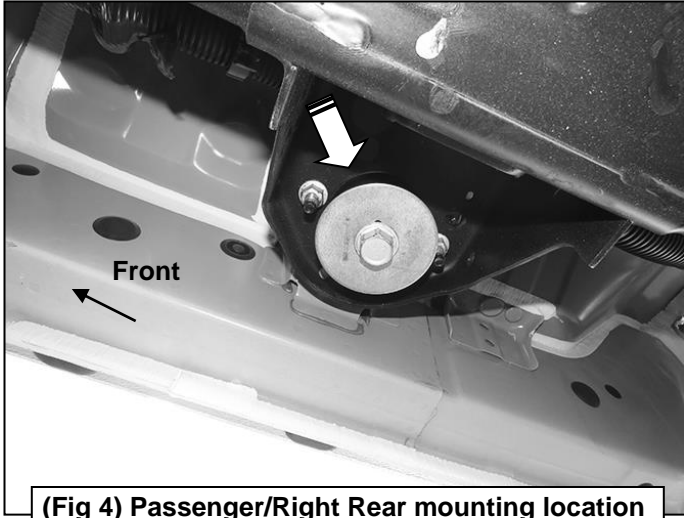


(Fig 2) Passenger/Right Front Mounting Bracket installation

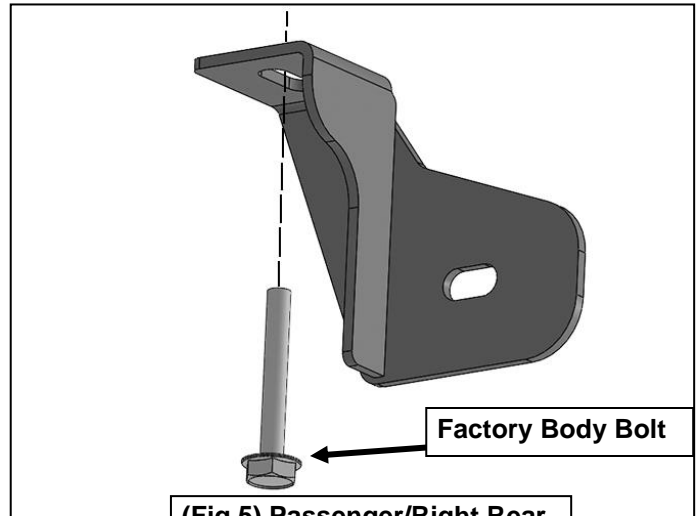


(Fig 3) Passenger/Right Front Mounting Bracket attached to front body mount

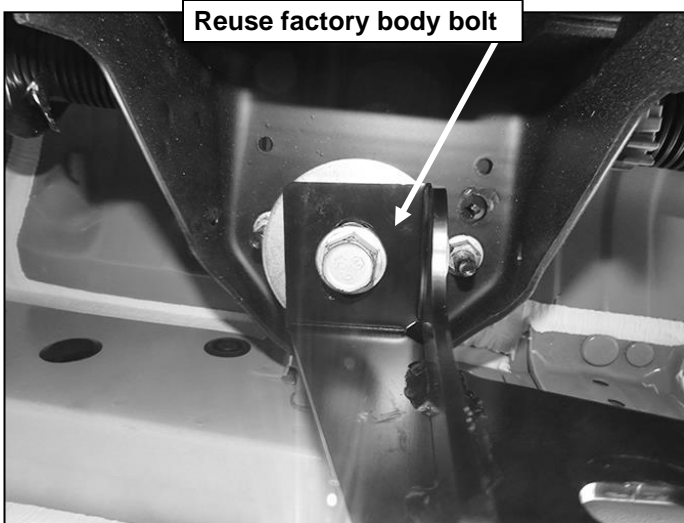
Passenger/Right Side Installation Pictured



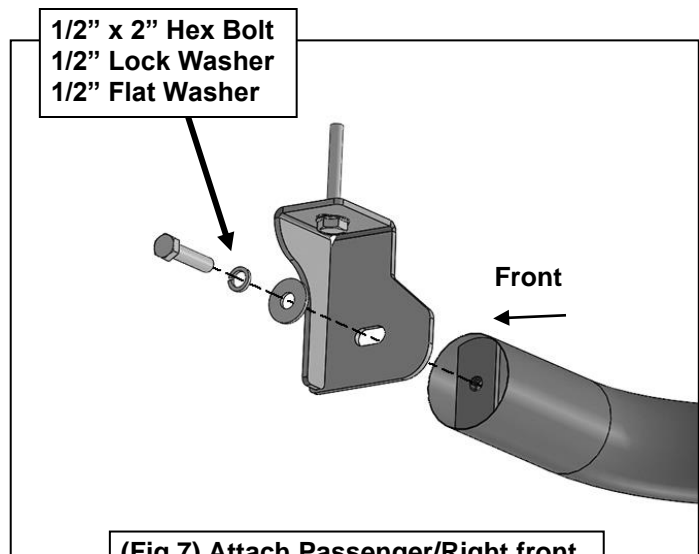
(Fig 4) Passenger/Right Rear mounting location



(Fig 5) Passenger/Right Rear Mounting Bracket installation

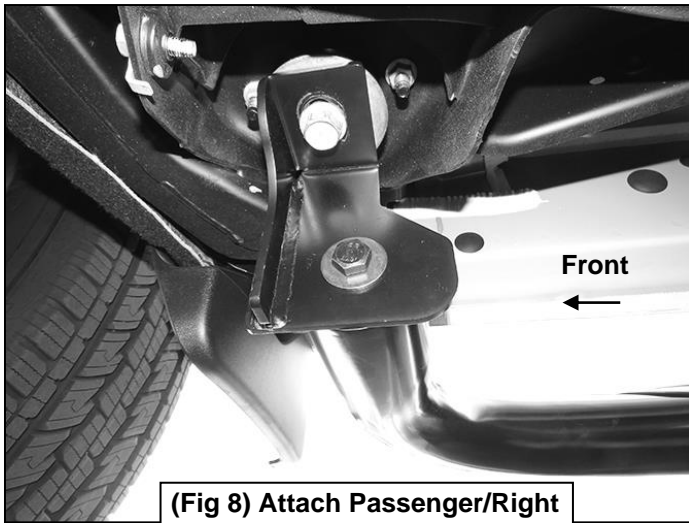


(Fig 6) Passenger/Right Rear Mounting Bracket installed



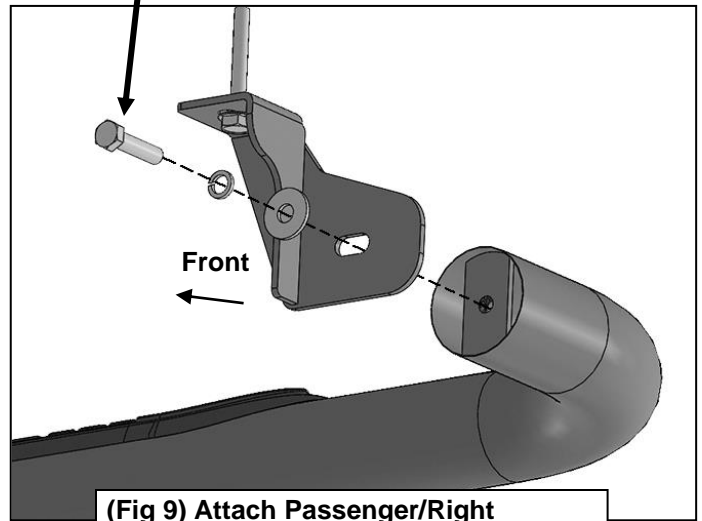
(Fig 7) Attach Passenger/Right front of Sidebar to Front Mounting Bracket

Passenger/Right Side Installation Pictured

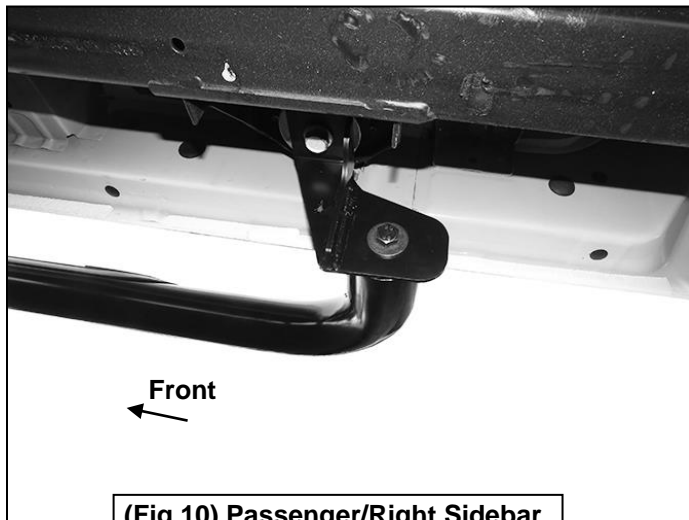


(Fig 8) Attach Passenger/Right Sidebar to Front Bracket

1/2" x 2" Hex Bolt
1/2" Lock Washer
1/2" Flat Washer



(Fig 9) Attach Passenger/Right Sidebar to the Rear Mounting Bracket



(Fig 10) Passenger/Right Sidebar to the Rear Mounting Bracket