

SIDEBAR WITH 90-DEGREE BENT ENDS
02-13 AVALANCHE 1500/00-13 SUBURBAN 1500/00-13 YUKON XL 1500
INCLUDES 02-06 AVALANCHE WITH LOWER BODY CLADDING
EXCLUDES 00-06 SUBURBAN WITH CLADDING AND TUBE STEPS
EXCLUDES 00-06 YUKON XL DENALI WITH BODY MOLDING

PARTS LIST:

Qty	Description	Qty	Description
1	Driver/Left Sidebar	4	1/2" x 2" Hex Bolts
1	Passenger/Right Sidebar	10	1/2" Lock Washers
2	Front Mounting Brackets	10	1/2" Flat Washers
2	Center Mounting Brackets	2	8-1.25mm x 25mm Hex Bolts
1	Driver/Left Rear Mounting Bracket	2	8mm Lock Washers
1	Passenger/Right Rear Mounting Bracket	2	8mm x 24mm OD x 2mm Flat Washers
6	12-1.75mm x 120mm Hex Bolts		

PROCEDURE:

REMOVE CONTENTS FROM BOX. VERIFY ALL PARTS ARE PRESENT. READ FACTORY BODY BOLT REMOVAL INSTRUCTIONS AND INSTALLATION INSTRUCTIONS CAREFULLY BEFORE STARTING INSTALLATION. REMOVE FACTORY OR AFTERMARKET RUNNING BOARDS.

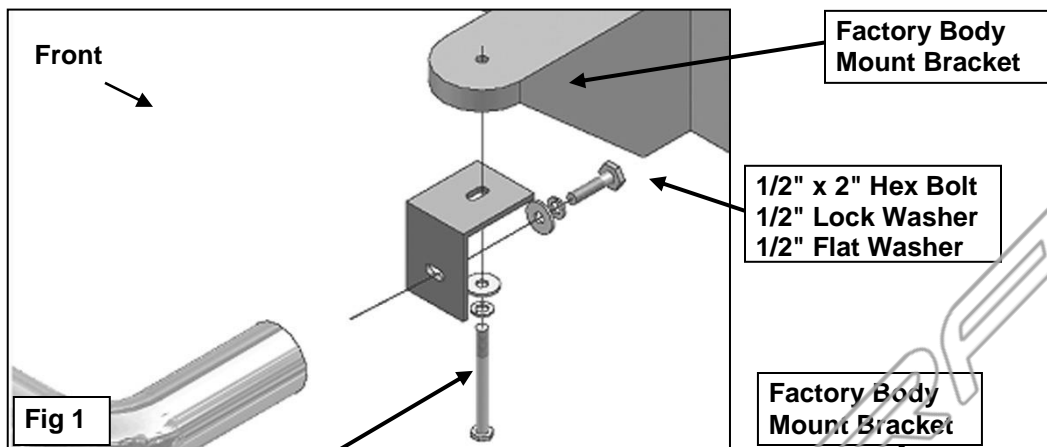
1. Start the installation under the passenger side of the vehicle. Remove the long 12mm hex bolt in the front body mount, **(Figure 1)**. Do not remove the rubber bushings.
2. Select the passenger side front Bracket. **NOTE:** Select the front bracket that will install with the welded gusset towards the back of the vehicle. Bolt the Bracket to the body mount using the factory hex bolts. **IMPORTANT:** On some model years, the factory bolt and flat washer cannot be reinstalled due to Bracket interference. Replace the (6) factory hex bolts and washers with the included 12mm x 120mm Hex Bolts, 12mm Lock Washers and 12mm Large Flat Washers. Do not tighten hardware at this time.
3. Repeat **Steps 1 & 2** to install the passenger side center Bracket, **(Figure 2)**. Leave hardware loose at this time.
4. Continue along the side of the vehicle to the rear body mount. Select the passenger side rear Mounting Bracket, **(Figure 3)**. **NOTE:** The passenger side rear Bracket has the wide gusset; the driver side has the narrow gusset to clear the emergency brake cables, **(Figures 2 & 3)**. Repeat **Steps 1 & 2** to install the rear Bracket, **(Figure 4)**. Do not tighten hardware at this time.
5. Select the passenger Sidebar, **(Figure 5)**. Carefully position the Sidebar up to the front and rear Mounting Brackets. Attach the Sidebar to the Mounting Brackets with (2) 1/2" x 2" Hex Bolts, (2) 1/2" Lock Washers and (2) 1/2" Flat Washers, **(Figures 1 & 3)**. Do not tighten hardware.
6. Attach the center Bracket to the threaded insert in the center of the Sidebar with (1) 8mm x 25mm Hex Bolt, (1) 8mm Lock Washer and (1) 8mm Flat Washer, **(Figure 4)**.
7. Level and adjust the Sidebar and tighten the front and rear Bracket hardware first, then tighten the center Bracket hardware.
8. Repeat **Steps 2—7** for driver Sidebar installation.
9. Do periodic inspections to the installation to make sure that all hardware is secure and tight.

To protect your investment, wax this product after installing. Regular waxing is recommended to add a protective layer over the finish. Do not use any type of polish or wax that may contain abrasives that could damage the finish.

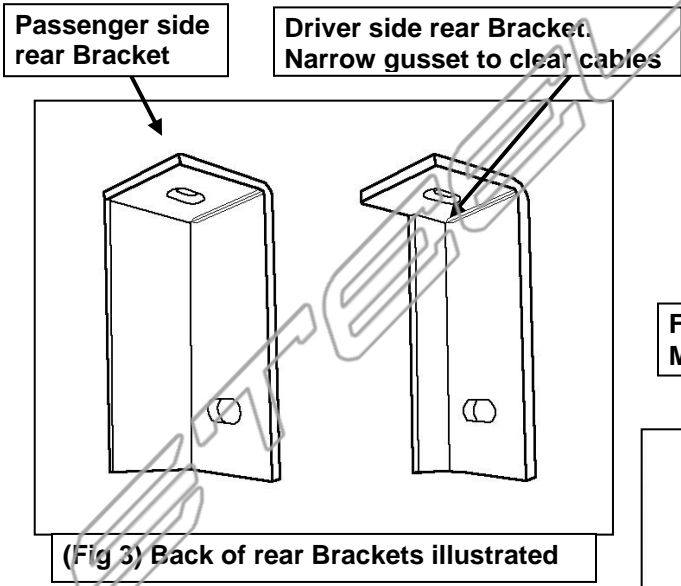
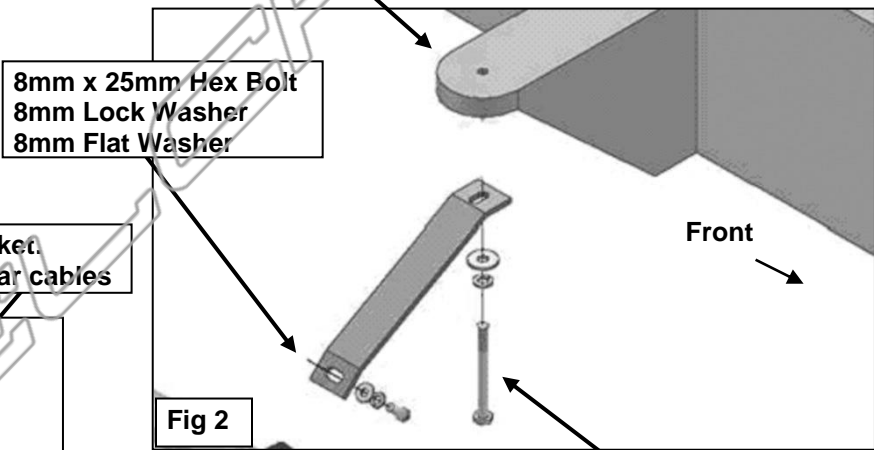
For stainless steel: Aluminum polish may be used to polish small scratches and scuffs on the finish. Mild soap may be used also to clean the Sidebar.

For gloss black finishes: Mild soap may be used to clean the Sidebar.

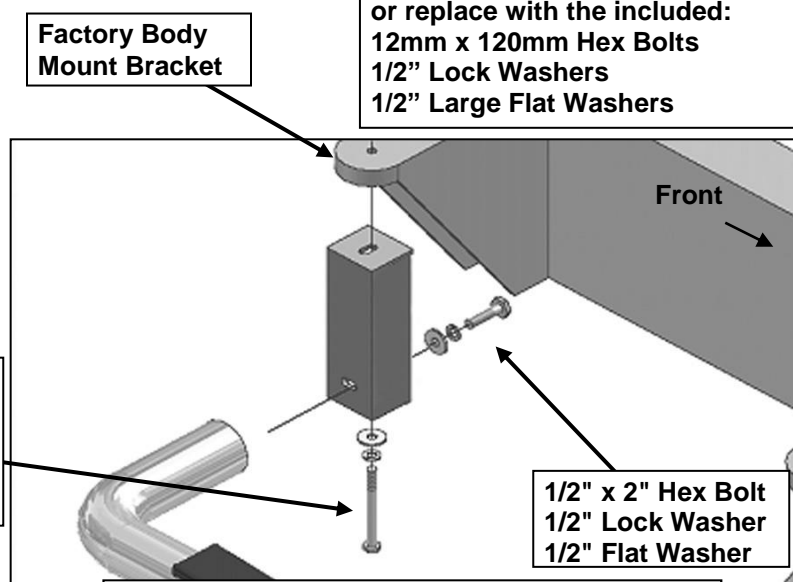
SIDEBAR WITH 90-DEGREE BENT ENDS
02-13 AVALANCHE 1500/00-13 SUBURBAN 1500/00-13 YUKON XL 1500
INCLUDES 02-06 AVALANCHE WITH LOWER BODY CLADDING
EXCLUDES 00-06 SUBURBAN WITH CLADDING AND TUBE STEPS
EXCLUDES 00-06 YUKON XL DENALI WITH BODY MOLDING
Passenger Side Installation Pictured



Use the factory bolt and washer or replace with the included:
 12mm x 120mm Hex Bolts
 1/2" Lock Washers
 1/2" Large Flat Washers



Use the factory bolt and washer or replace with the included:
 12mm x 120mm Hex Bolts
 1/2" Lock Washers
 1/2" Large Flat Washers



Use the factory bolt and washer or replace with the included:
 12mm x 120mm Hex Bolts
 1/2" Lock Washers
 1/2" Large Flat Washers

(Fig 4) Passenger side rear Bracket illustrated

SIDEBAR WITH 90-DEGREE BENT ENDS
02-13 AVALANCHE 1500/00-13 SUBURBAN 1500/00-13 YUKON XL 1500
INCLUDES 02-06 AVALANCHE WITH LOWER BODY CLADDING
EXCLUDES 00-06 SUBURBAN WITH CLADDING AND TUBE STEPS
EXCLUDES 00-06 YUKON XL DENALI WITH BODY MOLDING

