

**3" BENT END SIDEBAR
2000-04 DODGE DAKOTA QUAD CAB**

PARTS LIST:

1	Driver/Left Sidebar	4	1/2" x 2" Hex Bolts
1	Passenger/Right Sidebar	4	1/2" x 1-1/2" OD x 1/8" Flat Washers
1	Driver/Left Front Mounting Bracket	4	1/2" Lock Washers
1	Passenger/Right Front Mounting Bracket	2	12-1.75mm x 170mm Hex Bolts
1	Driver/Left Rear Mounting Bracket	4	12mm x 37mm OD x 3mm Flat Washers
1	Passenger/Right Rear Mounting Bracket	2	12mm Lock Washers
1	Driver/Left Front Support Bracket	2	12mm Hex Nuts
1	Passenger/Right Front Support Bracket		

PROCEDURE:

- 1. REMOVE CONTENTS FROM BOX. VERIFY ALL PARTS ARE PRESENT. READ INSTRUCTIONS CAREFULLY BEFORE STARTING INSTALLATION.**
2. Remove the driver side front body mount bolt. Select the driver side front Mounting Bracket and hang it from the body mount using the factory bolt and washer, **(Figure 1)**.
3. Select the driver side Support Bracket and bolt the flat end to the bottom of the frame with (1) 12mm x 170mm Hex Bolt and (1) 12mm Flat Washer inserted through the Support Bracket and up through the factory hole in the bottom and top of the frame and secure with (1) 12mm Flat Washer, (1) 12mm Lock Washer and (1) 12mm Hex Nut at the top of the frame, **(Figure 1)**. The bent end of the Support Bracket should line up with the slot in the front Mounting Bracket for the Sidebar. Do not tighten hardware at this time.
4. Remove the driver side rear body mount bolt. Select the driver side rear Mounting Bracket and hang it from the body mount using the factory bolt and washer, **(Figure 2)**.
5. Carefully position the driver Sidebar up to the Mounting Brackets. Bolt the Sidebar to the front Mounting Bracket with (1) 1/2" x 2" Hex Bolt, (1) 1/2" Lock Washer and (1) 1/2" Flat Washer inserted through the bent end of the Support Bracket, the Mounting Bracket then into the Sidebar. Do not tighten at this time. Bolt the Sidebar to the rear Mounting Bracket with (1) 1/2" x 2" Hex Bolt, (1) 1/2" Lock Washer and (1) 1/2" Flat Washer. Do not tighten hardware at this time, **(Figure 3)**.
6. Level and align the Sidebar and tighten all hardware.
7. Repeat steps 2-6 for passenger Sidebar installation.
8. Do periodic inspections to the installation to make sure all hardware is secure and tight.

To protect your investment, wax this product after installing. Regular waxing is recommended to add a protective layer over the finish. Do not use any type of polish or wax that may contain abrasives that could damage the finish.

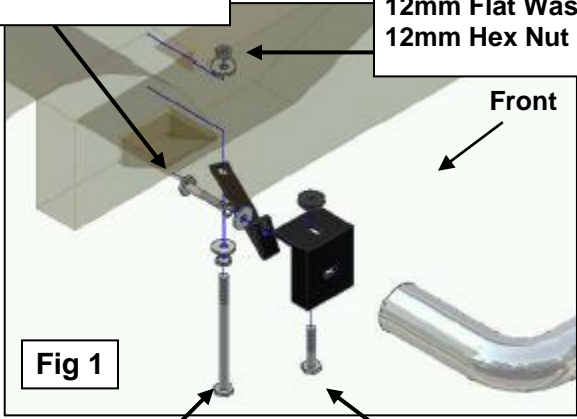
For stainless steel: Aluminum polish may be used to polish small scratches and scuffs on the finish. Mild soap may be used also to clean the Sidebars.

For gloss black finishes: Mild soap may be used to clean the Sidebars.

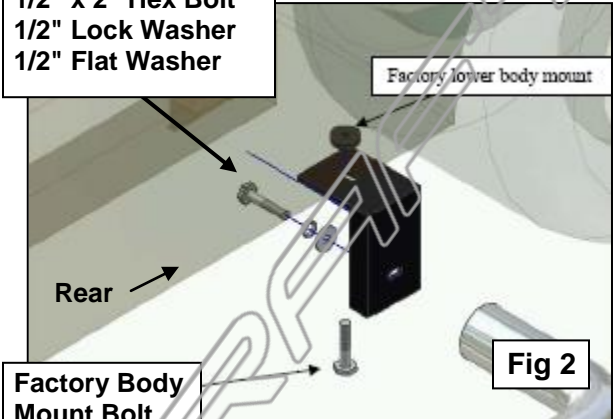
Driver Side Installation Pictured

1/2" x 2" Hex Bolt
1/2" Lock Washer
1/2" Flat Washer

12mm Lock Washer
12mm Flat Washer
12mm Hex Nut



1/2" x 2" Hex Bolt
1/2" Lock Washer
1/2" Flat Washer



12mm x 170mm
Hex Bolt
12mm Flat Washer

Factory Body
Mount Bolt

