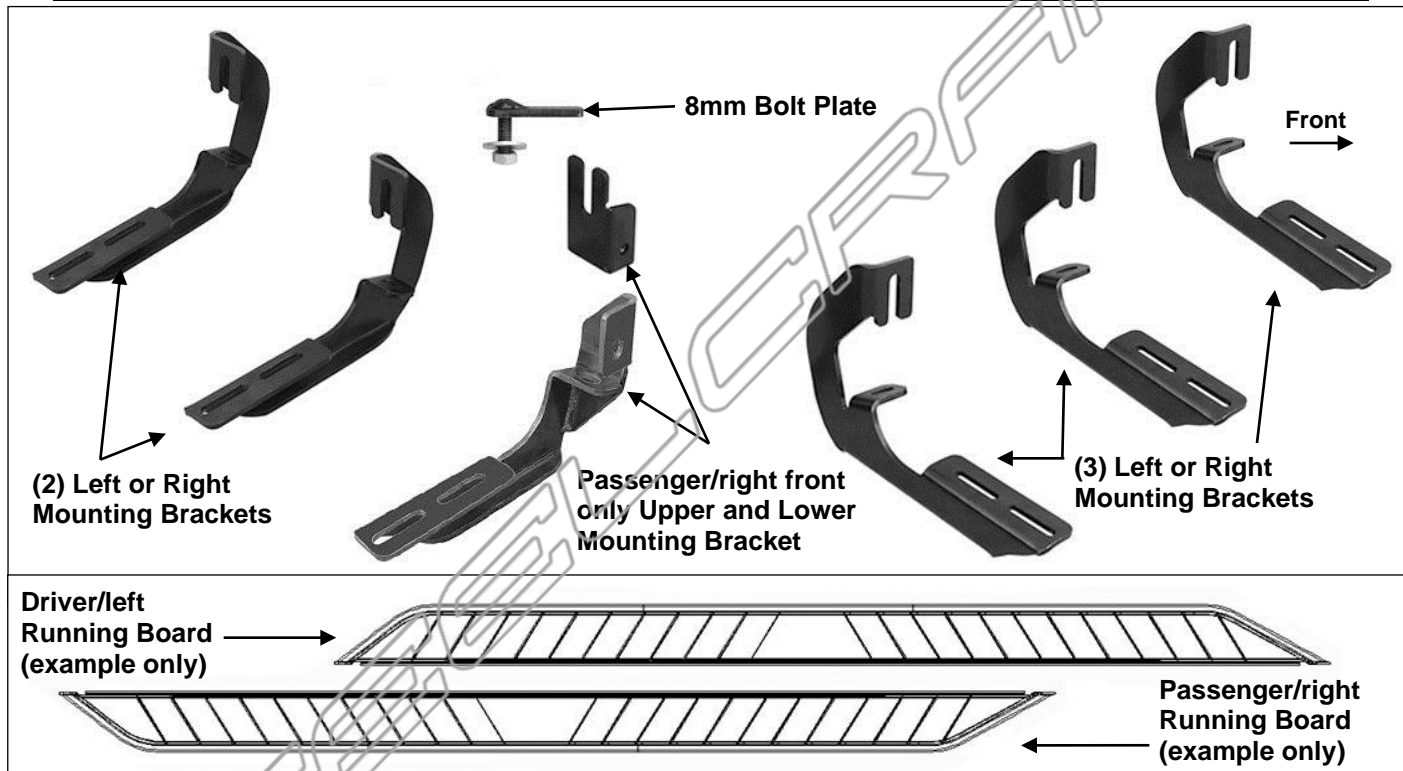


STX300 RUNNING BOARD BRACKET KIT
07-17 1500, 07-17 2500-3500 SILVERADO/SIERRA EXTRA/DOUBLE CAB
07-17 1500, 07-17 2500-3500 SILVERADO/SIERRA CREW CAB
INCLUDES DIESEL W/DEF

PARTS LIST:

Qty	Description	Qty	Description
5	Universal Left/Right Mounting Brackets	2	8-1.25mm Threaded Inserts
1	Passenger/right Front Upper Bracket (all incl. DEF)	1	8mm Bolt Plate
1	Passenger/right Front Lower Bracket (all incl. DEF)	1	8mm Nylon Lock Nut (use w-bolt plate)
11	8-1.25mm Clip-On Nuts	12	6-1.0mm x 20mm T-Bolts
13	8-1.25mm x 25mm Hex Bolts	12	6mm x 22mm OD x 2mm Flat Washers
13	8mm x 24mm OD x 2mm Flat Washers	12	6mm Lock Washers
13	8mm Lock Washers	12	6mm Hex Nuts
		1	8mm Insert Installation Tool



PROCEDURE:

REMOVE CONTENTS FROM BOX. VERIFY ALL PARTS ARE PRESENT. READ INSTRUCTIONS CAREFULLY BEFORE STARTING THE INSTALLATION. DRILLING AND SPECIAL TOOLS MAY BE REQUIRED. ASSISTANCE IS RECOMMENDED. ON MODELS WITH DEF TANK, SELECT A FLAT, LEVEL AREA FOR INSTALLATION. CUTTING MAY BE REQUIRED.

1. Start the installation under the driver side of the vehicle. **EXT/ Double Cab:** Locate the 4 tabs along the bottom edge of the body, (pinch weld). Mounting Brackets will bolt to the 1st, 2nd and 4th mounting tabs, **(Figure 1)**. **Crew Cab:** Locate the 5 tabs along the bottom edge of the body, (pinch weld). Mounting Brackets will bolt to the 1st, 3rd, (just in front of center of cab), and 5th mounting tabs, **(Figure 1)**. Directly above each tab is a top mounting location on the side of the body panel. Hold a Bracket up in place to help determine the mounting holes to use along the body.

2. Determine the correct procedure for your model year and each Bracket location.

Bottom mounting location on the edge of the pinch weld.

Flat tab on pinch weld with factory installed weld nut:

Thread hex bolt into weld nut from the backside-down to clear paint from threads, **(Figure 2)**.

Flat tab on pinch weld with hole:

Select (1) 8mm Clip Nut. Slide the Clip Nut over the tab with the nut facing up behind the tab, **(Figures 3—5)**. Line up threaded nut with hole in the tab. Repeat for each mounting location.

Locate top mounting location on the back side of the body panel.

STX300 RUNNING BOARD BRACKET KIT
07-17 1500, 07-17 2500-3500 SILVERADO/SIERRA EXTRA/DOUBLE CAB
07-17 1500, 07-17 2500-3500 SILVERADO/SIERRA CREW CAB
INCLUDES DIESEL W/DEF

Models with factory installed threaded insert in body panel:

Thread 8mm Hex Bolt into threaded insert to clear paint as required, **(Figures 2 & 3)**.

Large and small hole in side of body panel:

Remove the rubber plug from the larger hole, **(Figure 4)**. Select (1) 8mm Clip Nut. Slide the Clip Nut into the larger hole. Line up the threaded nut with the smaller hole, **(Figure 5)**.

3. Select (1) Mounting Bracket. **NOTE:** (5) Brackets are universal and will fit all (3) left side locations and the center and rear right side locations only. Bolt the Mounting Bracket to the Clip Nuts and/or the factory threaded holes with (2) 8mm Hex Bolts, (2) 8mm Lock Washers and (2) 8mm Flat Washers, **(Figures 6 & 7)**. Snug but do not fully tighten the hardware.
4. Repeat **Steps 1—3** to install the (2) remaining driver side Brackets,
 - a. On models without factory mounting holes in tab or body panel for rear Bracket, see “Special Instructions” below. Otherwise continue on to **Step 5**

SPECIAL INSTRUCTIONS for 01-06, 07 “Classic” Crew Cab models without factory holes in body panel and/or pinch weld tab only—drilling is required: IMPORTANT! Any cutting or drilling tool may break or shatter. Government regulations require safety glasses & equipment at all times when cutting or drilling.

Once the front and center Brackets have been installed, temporarily set the passenger side Running Board on top of the (2) Brackets.

- a) Attach the Running Board to the front and center Brackets but do not fully tighten the hardware, **(Figures 12—14)**. Level and align the Running Board to the side of the vehicle. Use a stand to support the Running Board if necessary.
- b) Hold the rear Bracket up in position against the bottom of the blank tab, (no hole), on the pinch weld and against the inner body panel. **NOTE:** Use a clamp to temporarily hold the Bracket in position, **(Figure 8)**. With the Bracket level to the Running Board and tight against the body panel, mark the Bracket location onto the tab and body panel, **(Figure 8A)**. Remove the Bracket and Running Board.
- c) Drill a 3/8” to 7/16” hole through the tab on the pinch weld, **(Figure 8B)**. Slide an 8mm Clip Nut over the tab, **(Figure 3)**.
- d) Attach (1) Bracket to the tab and Clip Nut on pinch weld only with (1) 8mm Hex Bolt, (1) 8mm Lock Washer and (1) 8mm Flat Washer.

OPTIONAL BUT RECOMMENDED for 01-06, 07 “Classic” Crew Cab models only:

Drill a 7/16” hole (if no factory hole exists) in the inner body panel at the marked location for the top of the Mounting Bracket, **(Figure 8A & 8B)**. **IMPORTANT:** Due to limited clearance between the inner body panel and the frame, a 90-degree drill adapter is required. A special “short” drill bit may also be necessary.

Assemble the metal Insert Tool as pictured in **Figure 9**. Push the Insert and Tool assembly into the drilled hole. **NOTE:** If Insert fits too tight, tap it into place with a small hammer.

Firmly hold the handle on the Tool and tighten the Hex Bolt in the Insert until it is fully locked in place, **(Figure 10A & B)**. **NOTE:** Do not over tighten the Insert or a pull out may occur. Once the Insert is fully compressed, remove the Hex Bolt and Tool from the Insert. Repeat **Step 3, (Figure 11)**, to bolt a Bracket in the rear location.

Repeat this step to install the Insert for the passenger side rear Mounting Bracket, once the front & center brackets have been installed **(Figure 13)**. Continue to **Step 5**.

5. Once all (3) Brackets have been fully installed, select the driver side Running Board. **NOTE:** Angled end of Running Board is the front, **(see Page 1)**. Locate the two channels in the bottom of the Running Board. (3) 6mm T-Bolts are required for each channel. Slide T-Bolts into each channel, **(Figure 12)**.
6. Hold the Running Board up in approximate position and slide the T-Bolts along the channel to line up with the (3) Mounting Brackets. Tilt the Board up at a slight angle and push back against the vehicle until the T-Bolts fit into the slots in the Brackets.
7. Secure the Running Board to the Brackets with (6) 6mm Flat Washers, (6) 6mm Lock Washers and (6) 6mm Hex Nuts, **(Figures 13 & 14)**. Do not tighten hardware at this time. **NOTE:** The Running Board is

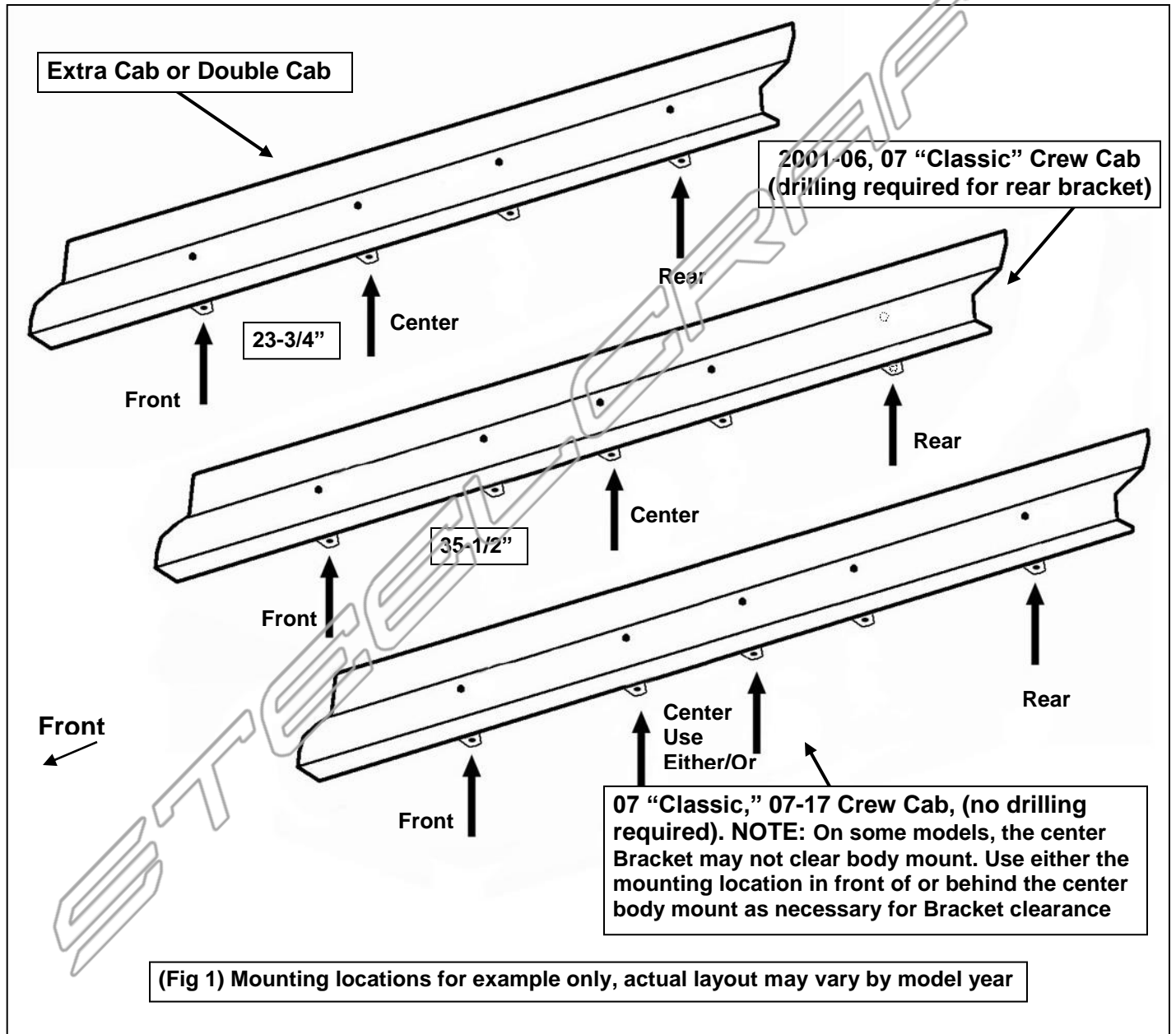
STX300 RUNNING BOARD BRACKET KIT
07-17 1500, 07-17 2500-3500 SILVERADO/SIERRA EXTRA/DOUBLE CAB
07-17 1500, 07-17 2500-3500 SILVERADO/SIERRA CREW CAB
INCLUDES DIESEL W/DEF

designed to fit close to the vehicle. It may be necessary to loosen the Bracket hardware and tilt the Brackets downward to insert the Running Board between the Brackets and the body.

8. Level and adjust the Running Board and tighten all hardware.
9. **Move to the passenger side of the vehicle.** On the passenger side, determine if the vehicle is equipped with a plastic diesel exhaust fluid (DEF) tank, (**Figures 15 & 16**).
Models without DEF tank, skip to Step 10.
Models with DEF tank: The tank sits close to the side of the body. With specialized tools, the passenger front upper and lower Bracket can be installed but room is limited. It may be easier to drop the tank down to access the inner side of the body panel for upper bracket installation. Tank will not need to be removed, only dropped down for access to mounting location. **IMPORTANT:** If tank is full, it will be very heavy and assistance is highly recommended to avoid injury or damage to the vehicle or the tank. It is recommended that installation is performed when the DEF tank is low on fluid before dropping the tank.
 - a. On models with plastic lower tray under the tank, remove the (3) hex bolts attaching the tray to the frame, (**Figure 15**), and remove the tray. **2017 2500/3500 models:** Remove the (4) hex bolts attaching plastic cover to DEF tank, (**Figure 16A**) and remove plastic cover, (**Figure 16B**).
 - b. Release the tank filler hose. Release the plug for the sending unit on the top of the tank.
 - c. Support the tank with a floor jack. Place a smooth flat surface, (wooden block for example), between the floor jack and the tank to avoid damaging the plastic tank. Do not push up on the tank; only support the weight of the tank with the jack.
 - d. Remove the (2) bolts securing the tank straps to the vehicle, (**Figure 17**). Tilt the straps to release from the brackets. Slowly lower the tank until the top of the tank is almost visible. Use blocks or stands to support the tank while installing the front Upper and Lower Brackets.
 - e. Proceed to **Step 10**.
10. Locate the first tab on the edge of the pinch weld, (**Figures 1—2, 19 & 21**). Select the Upper Bracket, (**Figure 18**). Repeat **Steps 2 & 3** to attach the passenger front Upper Bracket to the side of the body panel, (**Figure 19**). Do not tighten hardware at this time.
11. Line up the hole in the bottom of the Upper Bracket with the hole in the tab on the pinch weld.
 - a. **Models with a weld-nut:** Slide the Bracket over the weld-nut, (**Figure 19**). Attach the Lower Bracket to the bottom of the body and weld-nut with (1) 8mm x 25mm Hex Bolt, (1) 8mm Lock Washer and (1) 8mm Flat Washer, (**Figures 25 & 27**). Leave loose at this time.
 - b. **Models with flat tab and hole:** Insert the 8mm Bolt Plate down through the hole in the Upper Bracket and mounting tab, (**Figures 20 & 26**). Attach the Lower Bracket to the bottom of the body and Bolt Plate with (1) 8mm Flat Washer and (1) 8mm Nylon Lock Nut, (**Figures 25 & 26**). Leave loose at this time.
12. Line up the side tab on the Lower Bracket with the threaded hole in the side of the Upper Bracket. Attach the Lower Bracket to the Upper Bracket with (1) 8mm x 25mm Hex Bolt, (1) 8mm Lock Washer and (1) 8mm Flat Washer, (**Figures 27**). Leave loose at this time.
13. Repeat **Steps 1—3** for the (2) remaining passenger side Bracket installations. **NOTE:** Cradles on Brackets installed on passenger side will face forward.
 - a. **2017 2500/3500 DEF tank models:** Locate the 2nd tab bracket location along the bottom edge of the body, (pinch weld), (**Figure 22**). Hold the DEF cover in place and mark the 2nd Bracket location onto the cover, (**Figure 23**). Use a sharp knife or hacksaw blade to carefully cut a slot in the plastic cover to clear the 2nd Bracket, (**Figure 24**). Remove as little plastic as possible.
14. Repeat **Steps 5—8** to install the passenger side Running Board.
15. Once the Running Board has been installed and all hardware fully tightened, reinstall the DEF tank and cover, if equipped, as described in **Steps 9 & 13**.
16. Do periodic inspections to the installation to make sure that all hardware is secure and tight.

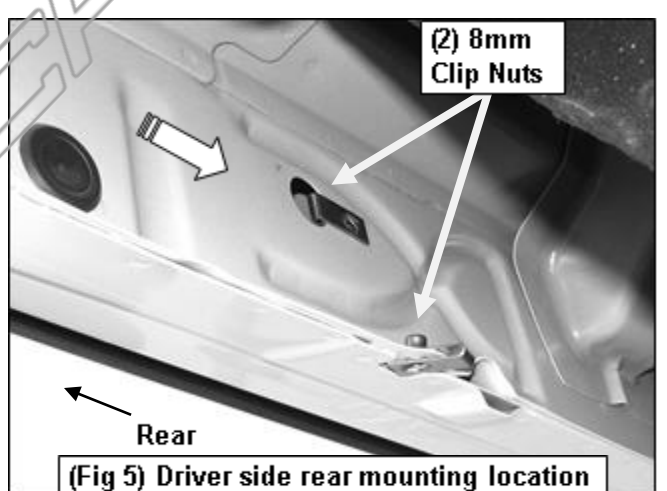
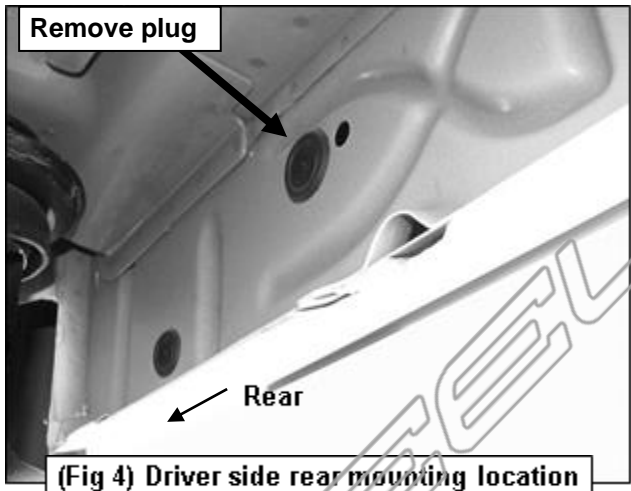
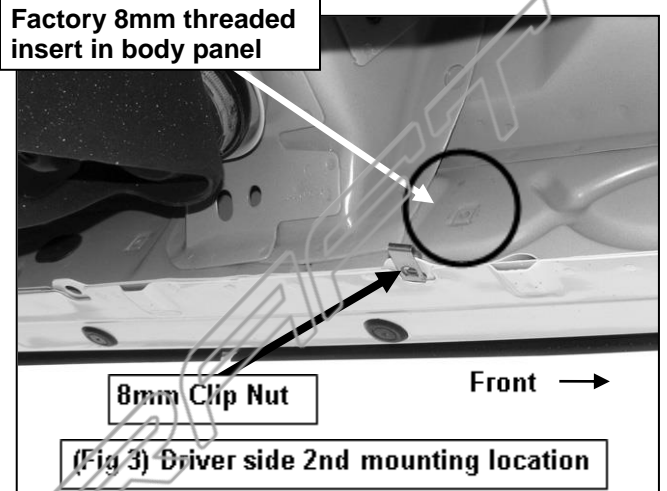
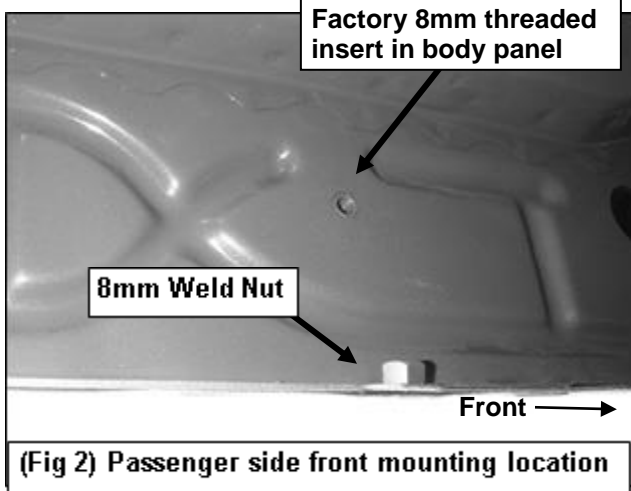
STX300 RUNNING BOARD BRACKET KIT
07-17 1500, 07-17 2500-3500 SILVERADO/SIERRA EXTRA/DOUBLE CAB
07-17 1500, 07-17 2500-3500 SILVERADO/SIERRA CREW CAB
INCLUDES DIESEL W/DEF

To protect your investment, wax this product after installing. Regular waxing is recommended to add a protective layer over the finish. Do not use any type of polish or wax that may contain abrasives that could damage the finish.
For stainless steel: Aluminum polish may be used to polish small scratches and scuffs on the finish. Mild soap may be used also to clean the Running Board.
For gloss black finishes: Mild soap may be used to clean the Running Board.



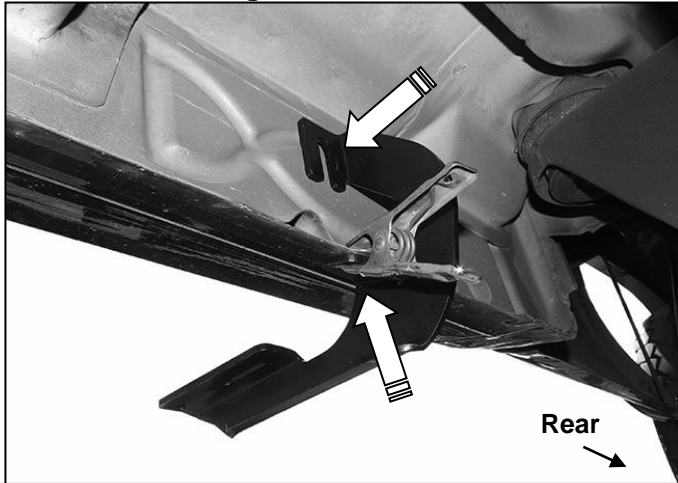
STX300 RUNNING BOARD BRACKET KIT
07-17 1500, 07-17 2500-3500 SILVERADO/SIERRA EXTRA/DOUBLE CAB
07-17 1500, 07-17 2500-3500 SILVERADO/SIERRA CREW CAB
INCLUDES DIESEL W/DEF

Driver/left Side Installation Pictured

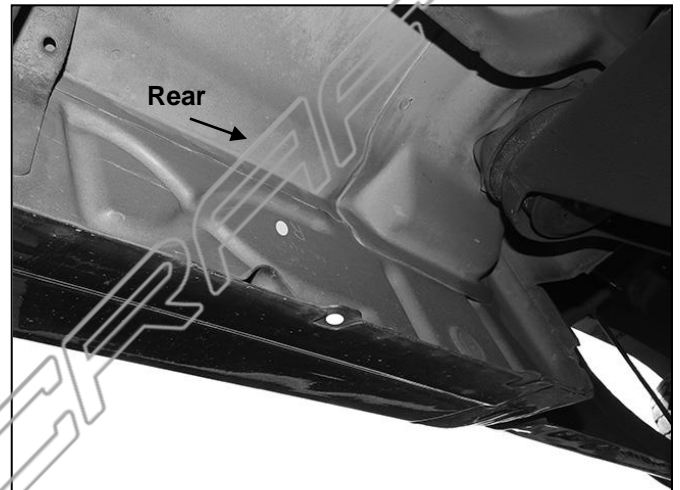


STX300 RUNNING BOARD BRACKET KIT
07-17 1500, 07-17 2500-3500 SILVERADO/SIERRA EXTRA/DOUBLE CAB
07-17 1500, 07-17 2500-3500 SILVERADO/SIERRA CREW CAB
INCLUDES DIESEL W/DEF

Passenger Side 2001-2006, 2007 "Classic" Rear Bracket Installation Pictured



(Fig 7) 01-07 Crew Cab Passenger/right rear pictured. NOTE: No mounting holes for rear Bracket. Hold Bracket up in position and mark hole location AFTER Running Board has been installed and adjusted on front and center Brackets, (Pictured without Running Board)



(Fig 8A) Drill (2) 7/16" holes in marked locations

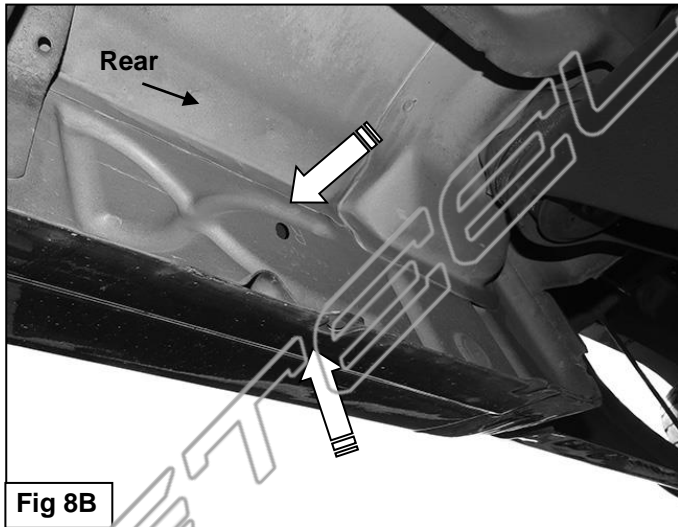
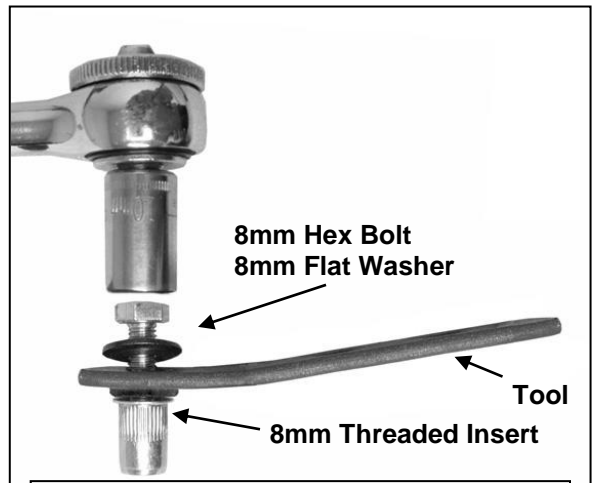


Fig 8B



(Fig 9) Assemble Insert Tool as pictured

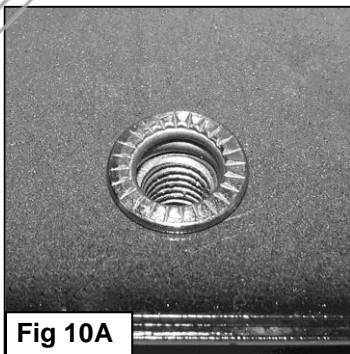
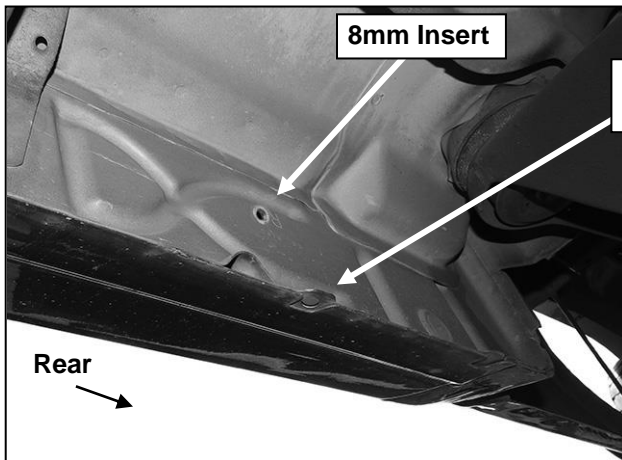


Fig 10A

Push insert into drilled hole until flush against sheet metal. Tighten Hex Bolt until Insert is fully collapsed. Remove Hex Bolt and Tool

STX300 RUNNING BOARD BRACKET KIT
 07-17 1500, 07-17 2500-3500 SILVERADO/SIERRA EXTRA/DOUBLE CAB
 07-17 1500, 07-17 2500-3500 SILVERADO/SIERRA CREW CAB
 INCLUDES DIESEL W/DEF

Passenger Side 2001-2006, 2007 "Classic" Rear Bracket Installation Pictured

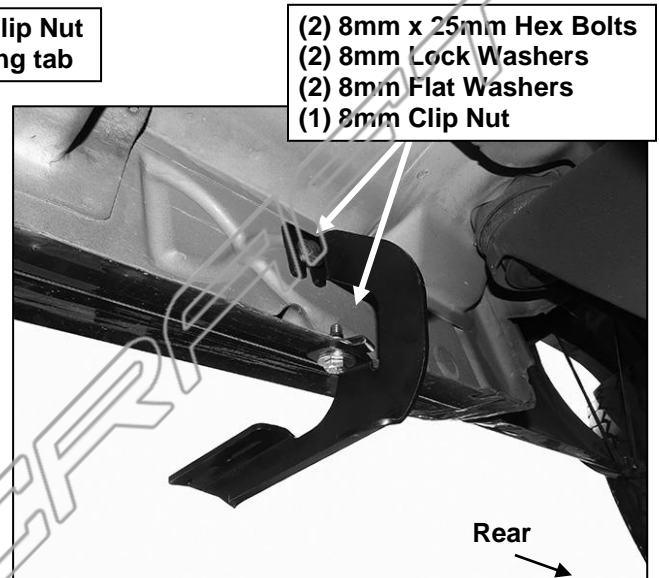


8mm Insert

Slide 8mm Clip Nut over mounting tab

Rear

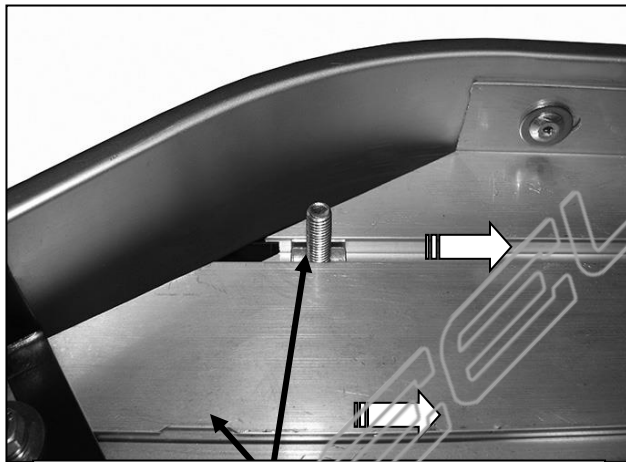
(Fig 10B) 8mm Threaded Insert fully installed



(2) 8mm x 25mm Hex Bolts
 (2) 8mm Lock Washers
 (2) 8mm Flat Washers
 (1) 8mm Clip Nut

Rear

(Fig 11) Drill (2) 7/16" holes in marked locations



(Fig 12) Slide (3) T-Bolts into each channel

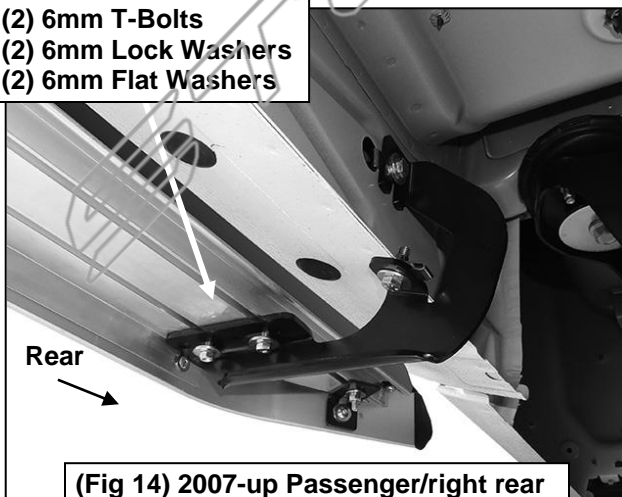
(2) 8mm x 25mm Hex Bolts
 (2) 8mm Lock Washers
 (2) 8mm Flat Washers



Front

(Fig 13) Passenger/right center pictured. NOTE: On some models, center Bracket may not clear center body mount. Use either the mounting location in front of or behind the center body mount as necessary for Bracket clearance, (also see Figure 1 for additional info)

(2) 6mm T-Bolts
 (2) 6mm Lock Washers
 (2) 6mm Flat Washers

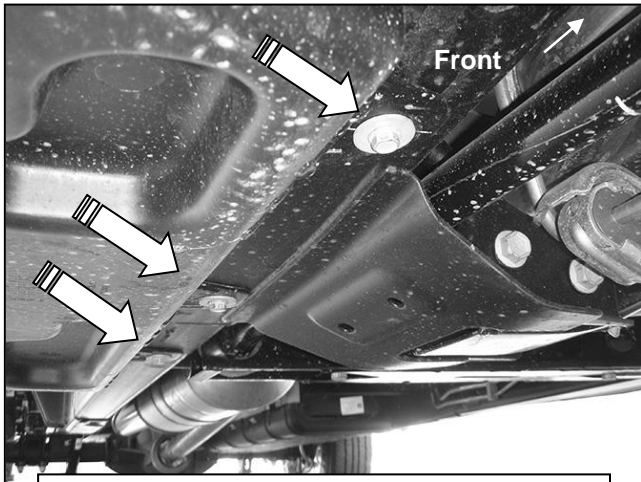


Rear

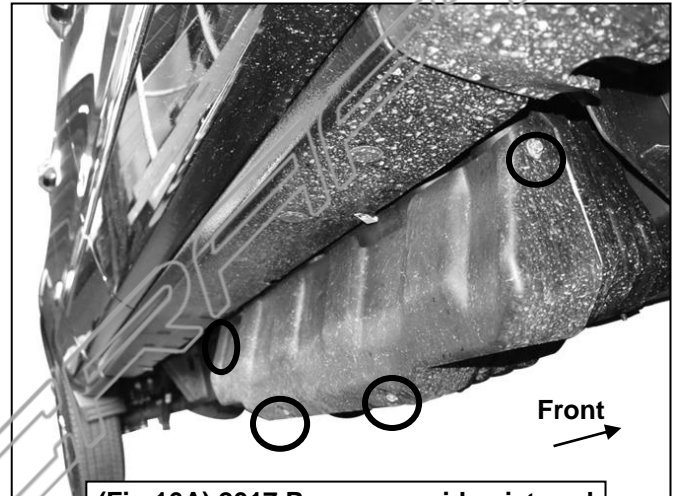
(Fig 14) 2007-up Passenger/right rear

STX300 RUNNING BOARD BRACKET KIT
07-17 1500, 07-17 2500-3500 SILVERADO/SIERRA EXTRA/DOUBLE CAB
07-17 1500, 07-17 2500-3500 SILVERADO/SIERRA CREW CAB
INCLUDES DIESEL W/DEF

Passenger Side Installation Pictured



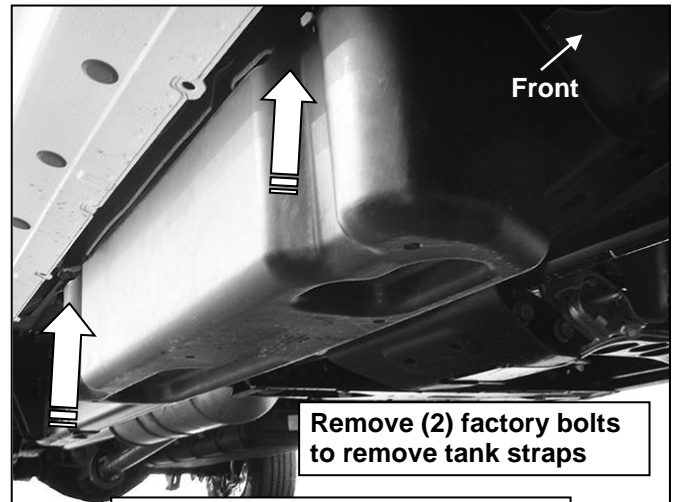
(Fig 15) Passenger side front pictured with DEF tank cover (Excludes 2017 models). Remove (3) hex bolts to remove cover



(Fig 16A) 2017 Passenger side pictured with DEF plastic tank cover. Remove (4) hex bolts to remove plastic cover

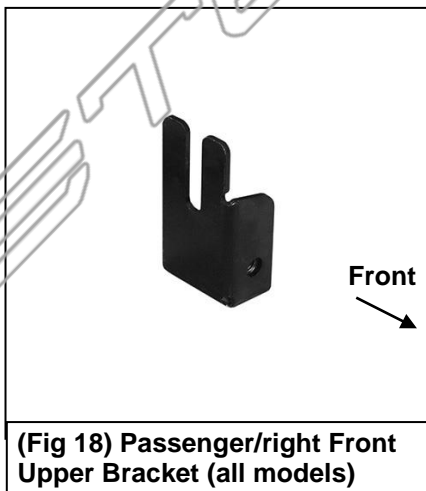


(Fig 16B) 2017 Passenger side DEF cover



Remove (2) factory bolts to remove tank straps

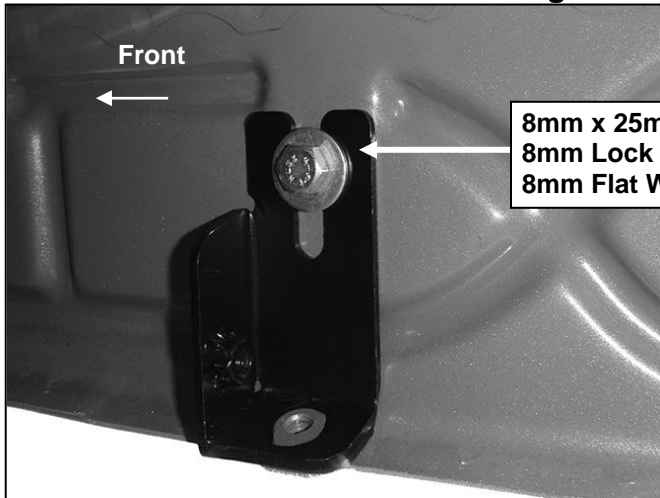
(Fig 17) Passenger side DEF tank and cover (Excludes 2017 models)



(Fig 18) Passenger/right Front Upper Bracket (all models)

STX300 RUNNING BOARD BRACKET KIT
07-17 1500, 07-17 2500-3500 SILVERADO/SIERRA EXTRA/DOUBLE CAB
07-17 1500, 07-17 2500-3500 SILVERADO/SIERRA CREW CAB
INCLUDES DIESEL W/DEF

Passenger Side Installation Pictured



(Fig 19) Slide Upper Bracket over weld nut if equipped-also see Figure 2



(Fig 20) 8mm x 35mm Bolt Plate

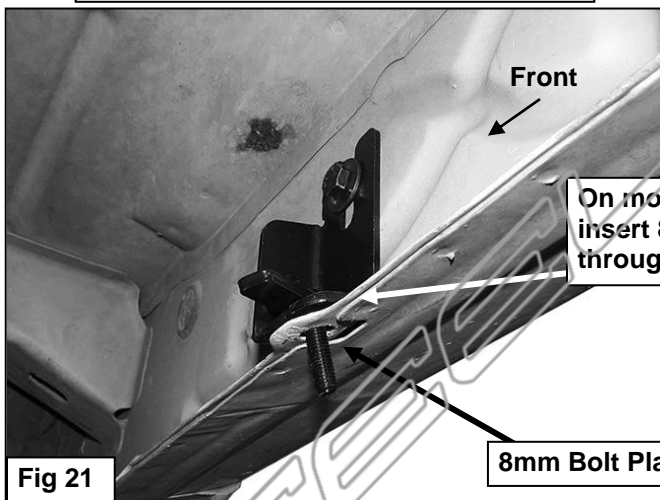
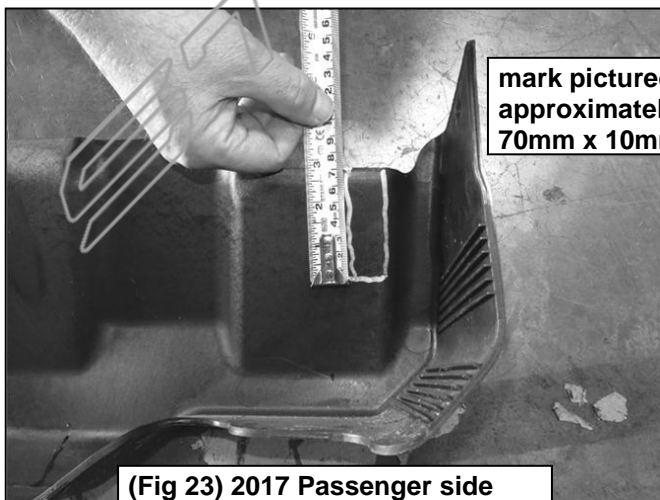
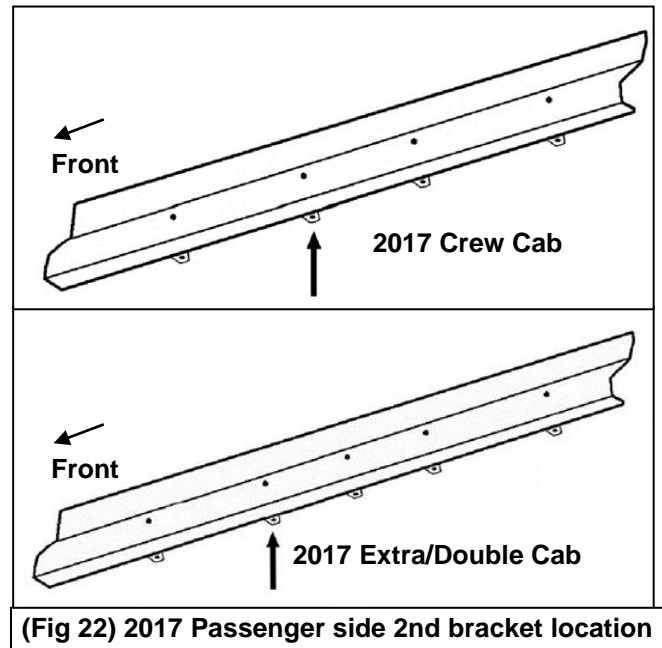


Fig 21



(Fig 23) 2017 Passenger side DEF cover marked for trimming



(Fig 22) 2017 Passenger side 2nd bracket location

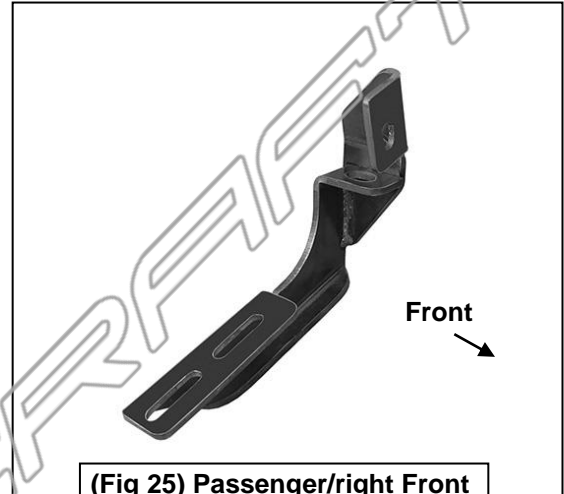
STX300 RUNNING BOARD BRACKET KIT
07-17 1500, 07-17 2500-3500 SILVERADO/SIERRA EXTRA/DOUBLE CAB
07-17 1500, 07-17 2500-3500 SILVERADO/SIERRA CREW CAB
INCLUDES DIESEL W/DEF

Passenger Side Installation Pictured



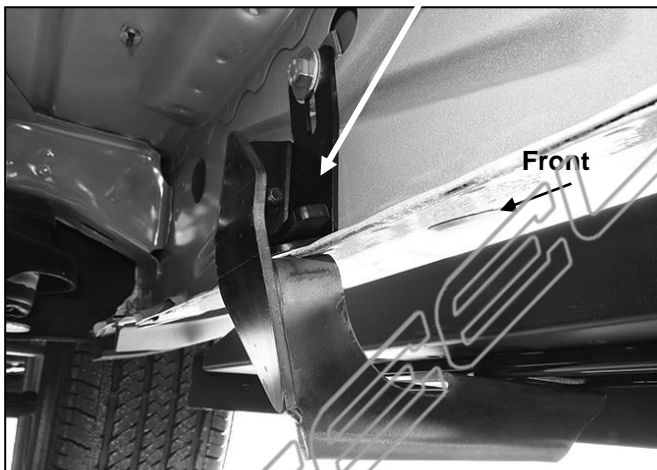
(Fig 24) 2017 Passenger side DEF cut for example only

On models with flat tab and 8mm Bolt Plate (see Fig. 21) use:
 8mm Flat Washer
 8mm Nylon Lock Nut
 to attach Lower Bracket to Bolt Plate



(Fig 25) Passenger/right Front Lower Bracket (all models)

All models use:
 8mm x 25mm Hex Bolt
 8mm Lock Washer
 8mm Flat Washer



(Fig 26) Passenger/right front Bracket installation

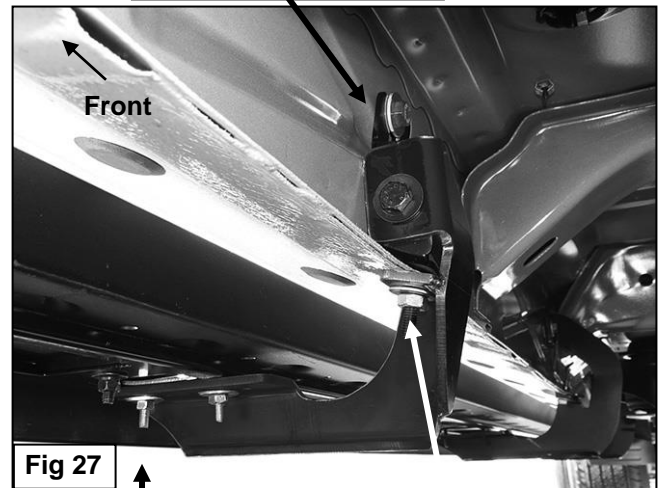


Fig 27

(2) 6mm Flat Washers
 (2) 6mm Lock Washers
 (2) 6mm Hex Nuts

Models with weld nut on tab (see Fig. 19) use:
 8mm x 25mm Hex Bolt
 8mm Lock Washer
 8mm Flat Washer



Complete Installation