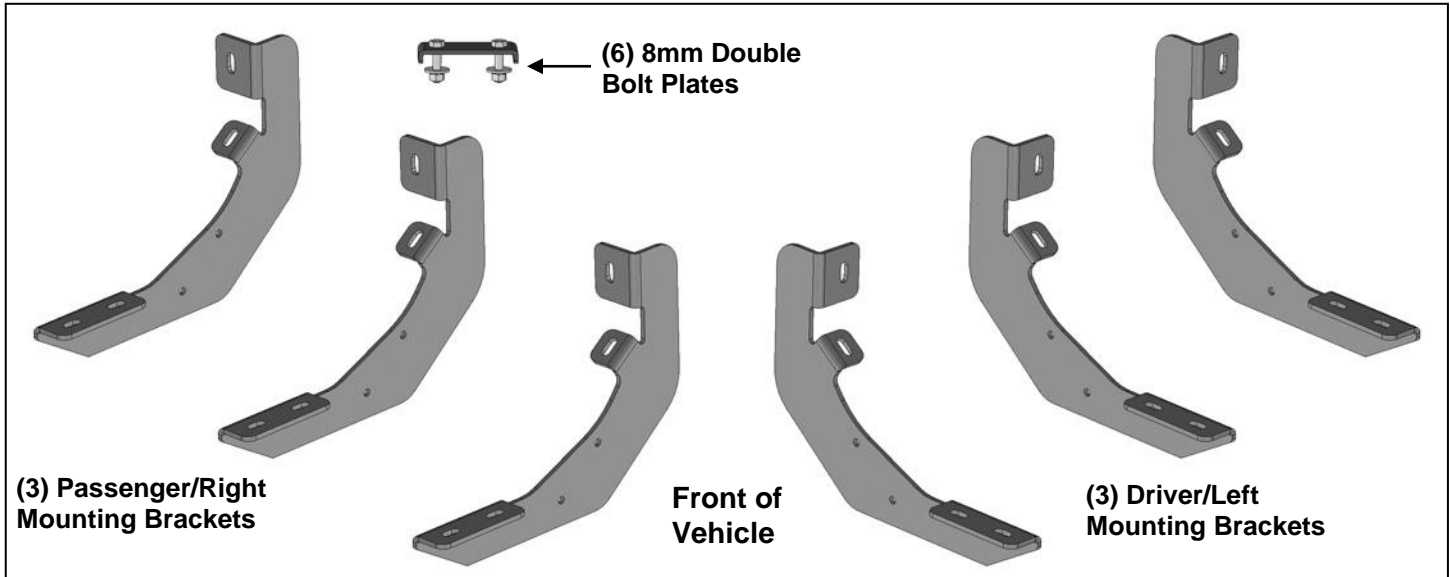


PARTS LIST:

2	T-6 Sidebars	6	8mm x 16mm x 1.6mm Flat Washers
3	Driver/Left Side Mounting Brackets	18	8mm x 24mm x 2mm Flat Washers
3	Passenger/Right Side Mounting Brackets	24	8mm Lock Washers
6	8mm Double Bolt Plates	12	8mm Hex Nuts
12	8mm x 30mm Hex Bolts	6	8mm Nylon Lock Nuts



PROCEDURE:

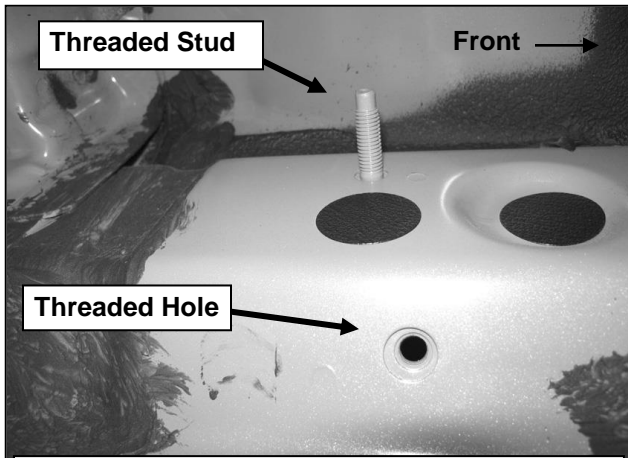
- REMOVE CONTENTS FROM BOX. VERIFY ALL PARTS ARE PRESENT. READ INSTRUCTIONS CAREFULLY BEFORE STARTING INSTALLATION.**
- Start installation at the front of the driver side of the vehicle and locate the factory threaded holes or stud located on the side of the inner body panel, **(Figures 1A & 1B)**. **NOTE:** Remove the plastic plug or any insulation on the side panel to locate the threaded holes.
- Select (1) driver side Mounting Bracket. Attach the Bracket to the mounting location with:
 - Models with threaded stud:** Attach Bracket to stud with (1) 8mm x 24mm STD Flat Washer and (1) 8mm Nylon Lock Nut. Next, insert (1) 8mm x 30mm Hex Bolt with (1) 8mm Lock Washer and (1) 8mm x 16mm Small Flat Washer through the remaining lower hole in the Bracket and into the threaded hole, **(Figures 1A, 2 & 3)**. Do not tighten hardware at this time.
 - Models without threaded stud:** Attach Bracket to the upper threaded hole with (1) 8mm x 24mm STD Flat Washer, (1) 8mm Lock Washer and (1) 8mm x 30mm Hex Bolt. Attach Bracket to the lower threaded hole with (1) 8mm x 16mm Small Flat Washer, (1) 8mm Lock Washer and (1) 8mm Hex Bolt, **(Figures 1B, 2 & 3)**. Do not tighten hardware at this time.
- Move along the side of the body to the next center mounting location, **(Figure 4)**. **NOTE:** There are (4) mounting locations along the body panel. Bracket installation will use the 1st, 2nd and 4th mounting locations. Repeat the appropriate **Steps 2 & 3** to install the center Bracket and rear Bracket at the rear of the cab, **(Figures 3—5)**. **NOTE:** The cradles on the Mounting Brackets should be facing the front of the vehicle when properly installed, **(Figures 3—5 & 7)**.
- With assistance, carefully place (1) Side Bar onto the (3) Brackets. Select (3) 8mm Double Bolt Plates. Insert the Bolt Plates into the channels in the bottom of the Side Bar closest to the Brackets, **(Figure 6)**. Lift the Side Bar up and guide the studs down through the Brackets.
- Attach the Side Bar to the Brackets with (6) 8mm Flat Washers, (6) 8mm Lock Washers and (6) 8mm Hex Nuts, **(Figure 7)**. **NOTE:** The Side Bar is designed to fit close to the vehicle. It may be necessary to loosen the Bracket hardware and tilt the Brackets downward to insert the Side Bar between the Brackets and the body. Do not tighten hardware at this time.

7. Line up the front of the Side Bar approximately 2" back, (or locate as desired), from the front wheel opening. Level and adjust the Side Bar and fully tighten all hardware.
8. Repeat **Steps 2—7** to install the passenger/right Side Bar. **NOTE:** Measure from wheel opening to end of Side Bar to make sure both Side Bars are installed in the same position.
9. Do periodic inspections to the installation to make sure that all hardware is secure and tight.

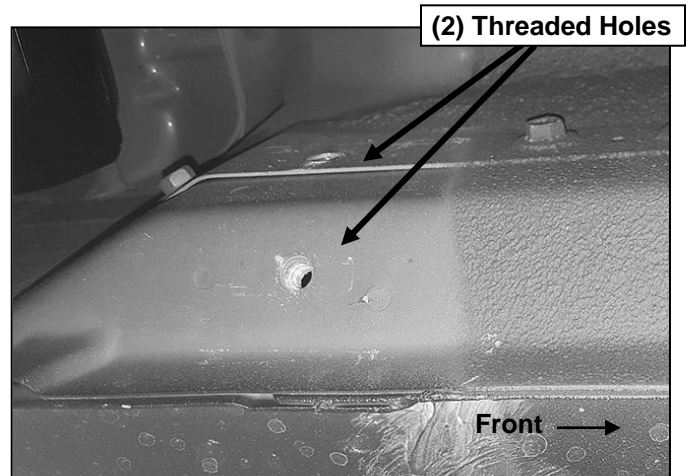
To protect your investment, wax this product after installing. Regular waxing is recommended to add a protective layer over the finish. Do not use any type of polish or wax that may contain abrasives that could damage the finish.

For stainless steel: Aluminum polish may be used to polish small scratches and scuffs on the finish. Mild soap may be used also to clean the Sidebar. **For gloss black finishes:** Mild soap may be used to clean the Sidebar.

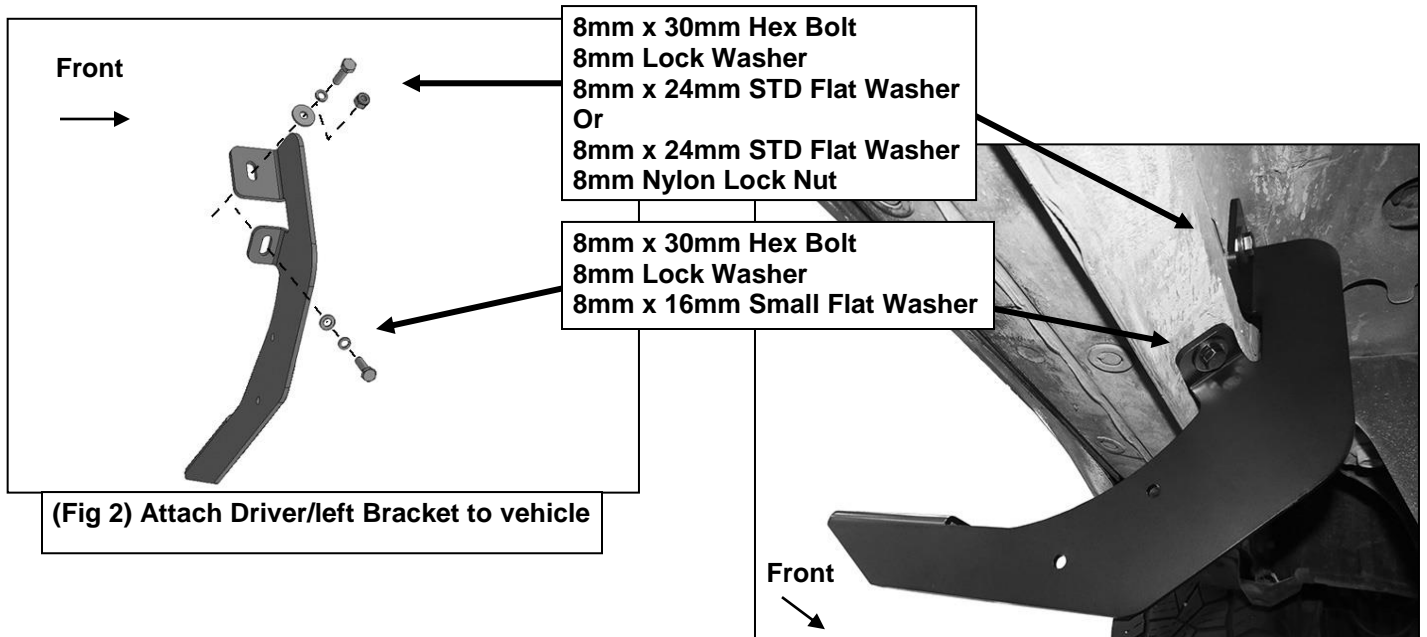
Driver Side Installation Pictured



(Fig 1A) Up to 2015 driver side rear mounting location pictured. Note: Remove plastic plugs to locate factory threaded holes



(Fig 1B) 2016-on driver side rear mounting location pictured. Note: two factory threaded holes only



(Fig 2) Attach Driver/left Bracket to vehicle

(Fig 3) Driver/left front Bracket installed Note: all cradles face towards front of vehicle

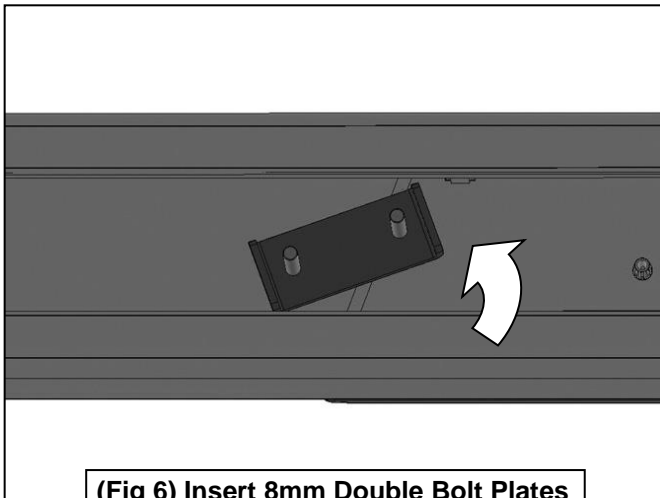
Driver Side Installation Pictured



(Fig 4) Driver/left center Bracket installed
Note: all cradles face towards front of vehicle

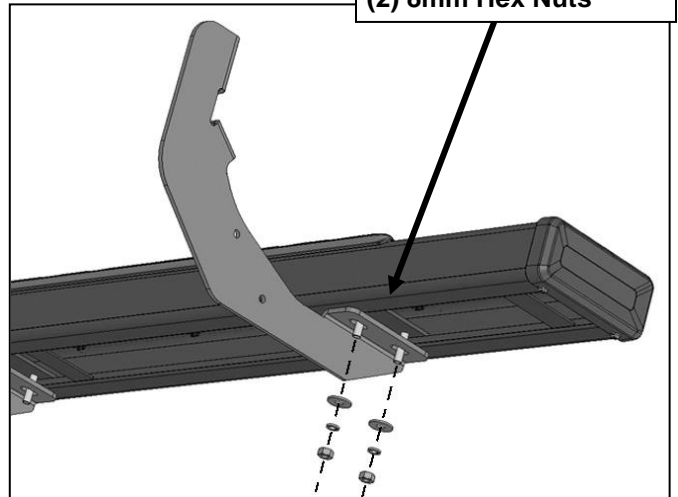


(Fig 5) Driver/left rear Bracket installed
Note: all cradles face towards front of vehicle



(Fig 6) Insert 8mm Double Bolt Plates into tracks on bottom of Side Bar

- (2) 8mm x 24mm Large Flat Washers
- (2) 8mm Lock Washers
- (2) 8mm Hex Nuts



(Fig 7) Attach Sidebar to Bracket (driver/left front installation illustrated)



Complete Installation