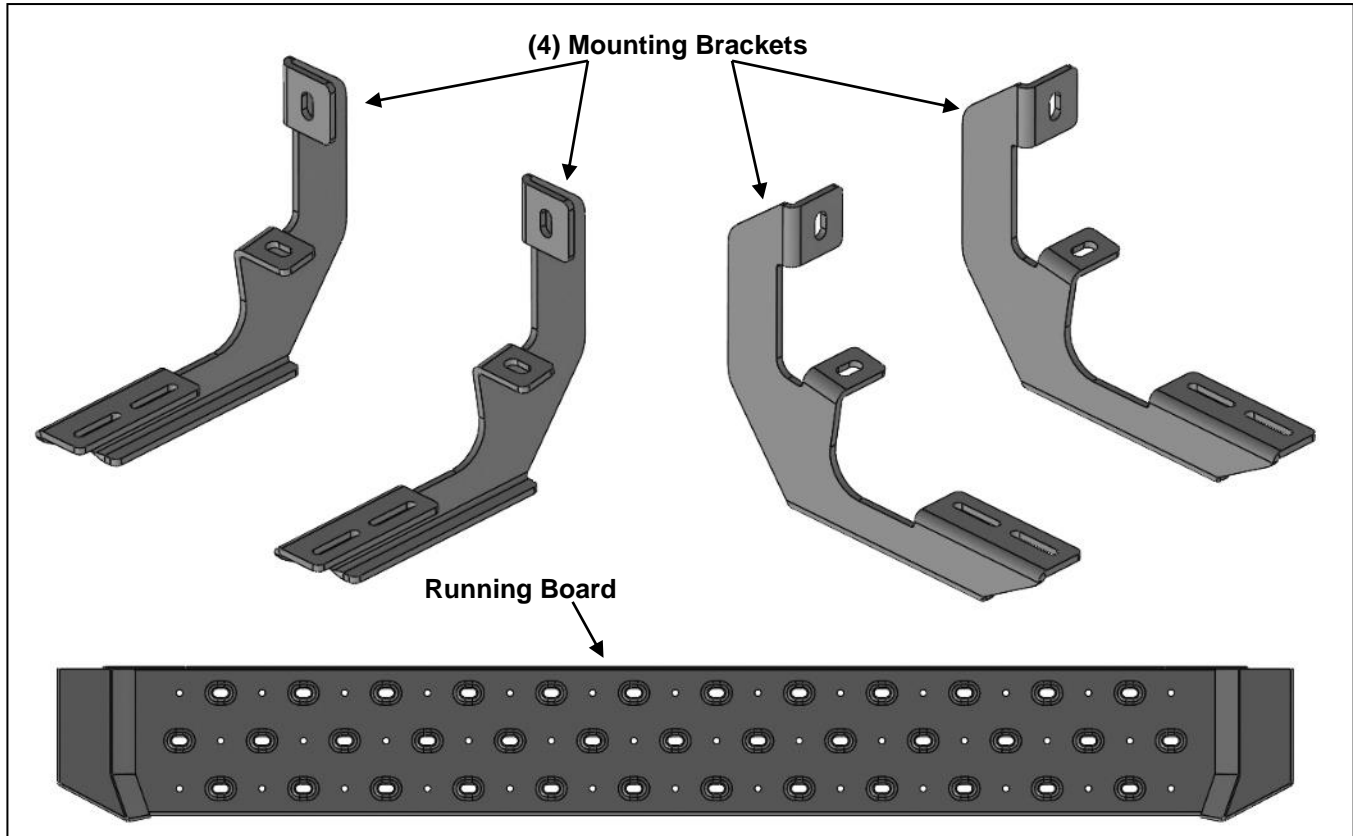


**RATTLER RUNNING BOARD
2019 1500 SILVERADO REGULAR CAB
EXCLUDES DIESEL W/DEF**

PARTS LIST:

2	Running Boards	4	6mmx 30mm Double Bolt Plates
4	Mounting Brackets	8	6mm x 22mm x 2mm Flat Washers
8	8-1.25mm x 30mm Hex Bolts	8	6mm Lock Washers
8	8mm Lock Washers	8	6mm Hex Nuts
8	8mm x 24mm x 2mm Flat Washers		



PROCEDURE:

REMOVE CONTENTS FROM BOX. VERIFY ALL PARTS ARE PRESENT. READ INSTRUCTIONS CAREFULLY BEFORE STARTING INSTALLATION. ASSISTANCE IS RECOMMENDED.

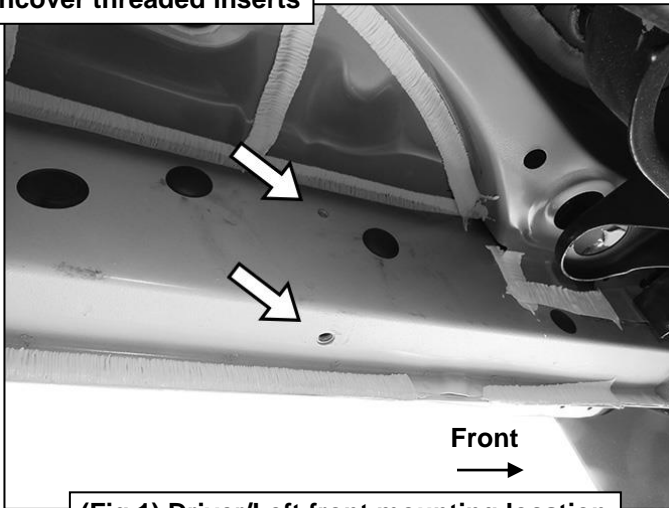
1. Start the installation under the Driver/Left side of the vehicle. Locate the plastic plugs along the bottom edge of the body, **(Figure 1)**. Mounting Brackets will attach to the threaded mounting holes at the front and rear of the cab. Remove the plastic plugs from the front mounting location. Directly above each threaded insert is a top mounting location on the side of the body panel. Hold a Bracket up in place to help determine the correct mounting holes to use along the body. **NOTE:** Thread an 8mm Hex Bolt into the threaded inserts to clear paint as required.
2. Select (1) Mounting Bracket, **(Figure 2)**. Starting at the front of the driver/left side, attach the Mounting Bracket to the factory threaded holes with (2) 8mm x 30mm Hex Bolts, (2) 8mm Lock Washers and (2) 8mm Flat Washers, **(Figures 2 & 3)**. Do not fully tighten hardware.
3. Repeat **Steps 1 & 2** to attach (1) Mounting Bracket to the rear mounting location along the body panel, **(Figures 4 & 5)**.
4. Select (1) Running Board. Place the Running Board on top of the Brackets. Locate the channel opening in the bottom of the Running Board. Select (2) 6mm Double Bolt Plates. Insert the Bolt Plates into the channel in the bottom of the Running Board closest to the Brackets, **(Figure 6)**. Lift the Running Board up and guide the studs through the Brackets.

**RATTLER RUNNING BOARD
2019 1500 SILVERADO REGULAR CAB
EXCLUDES DIESEL W/DEF**

5. Attach the Running Board to the Brackets with (4) 6mm Flat Washers, (4) 6mm Lock Washers and (4) 6mm Hex Nuts, (**Figure 7**).
 6. Level and adjust the Running Board and fully tighten all hardware.
 7. Repeat **Steps 1—6** to install the Passenger/Right Running Board.
 8. Do periodic inspections to the installation to make sure that all hardware is secure and tight.
- To protect your investment**, Do not use any type of polish or wax that may contain abrasives that could damage the finish. Mild soap may be used also to clean the Running Board.

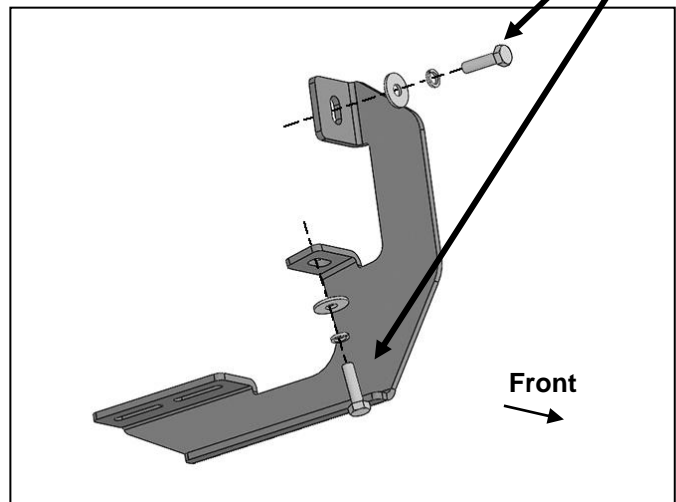
Driver/Left side Installation Pictured

Remove plastic plugs to uncover threaded inserts

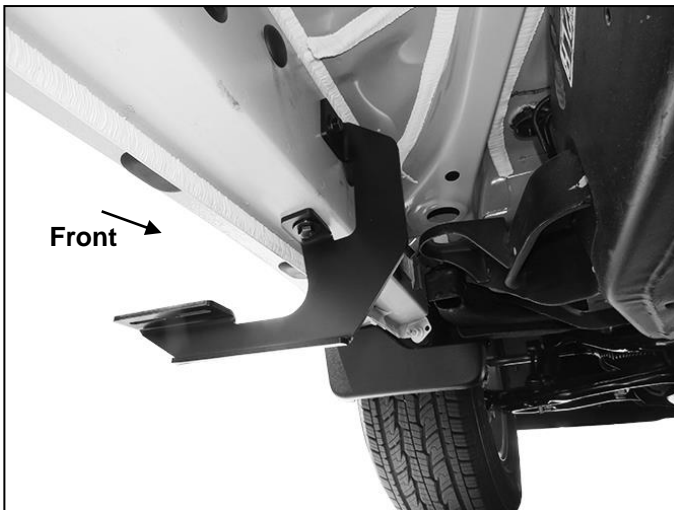


(Fig 1) Driver/Left front mounting location

(2) 8mm Hex Bolts
(2) 8mm Lock Washers
(2) 8mm Flat Washers

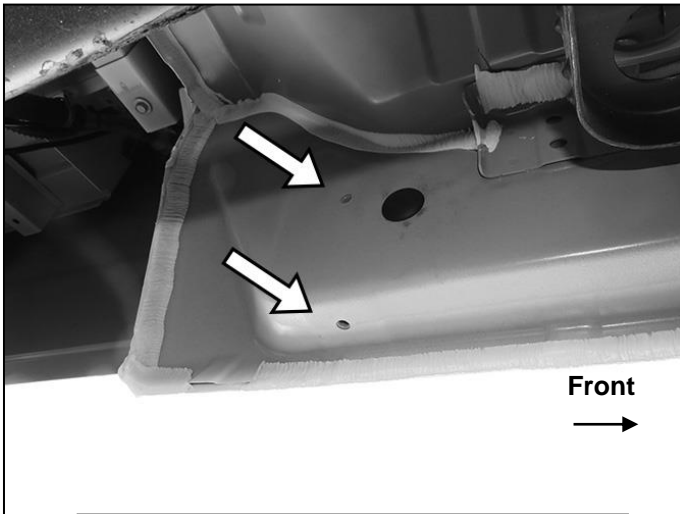


(Fig 2) Mounting Bracket illustration

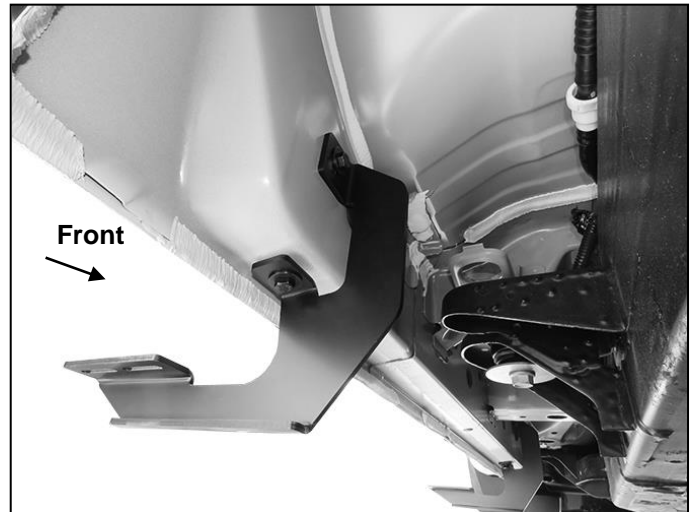


(Fig 3) Driver/Left front Bracket installed

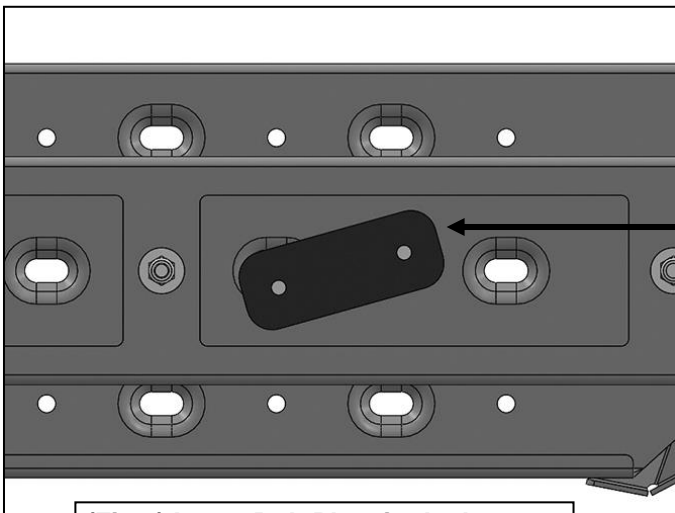
Driver/Left side Installation Pictured



(Fig 4) Driver/Left rear mounting location

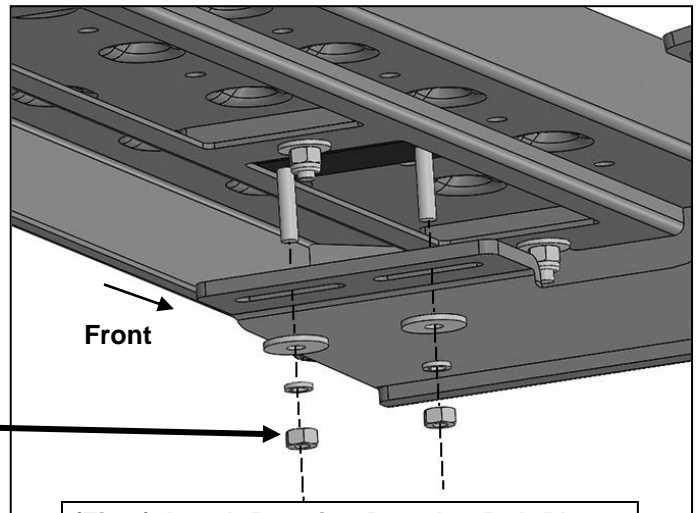


(Fig 5) Driver/Left rear Bracket installed



6mm Double Bolt Plate

(Fig 6) Insert Bolt Plate in the bottom of the channel on the Running Board



(2) 6mm Flat Washers
(2) 6mm Lock Washers
(2) 6mm Hex Nuts

(Fig 7) Attach Running Board to Bolt Plates