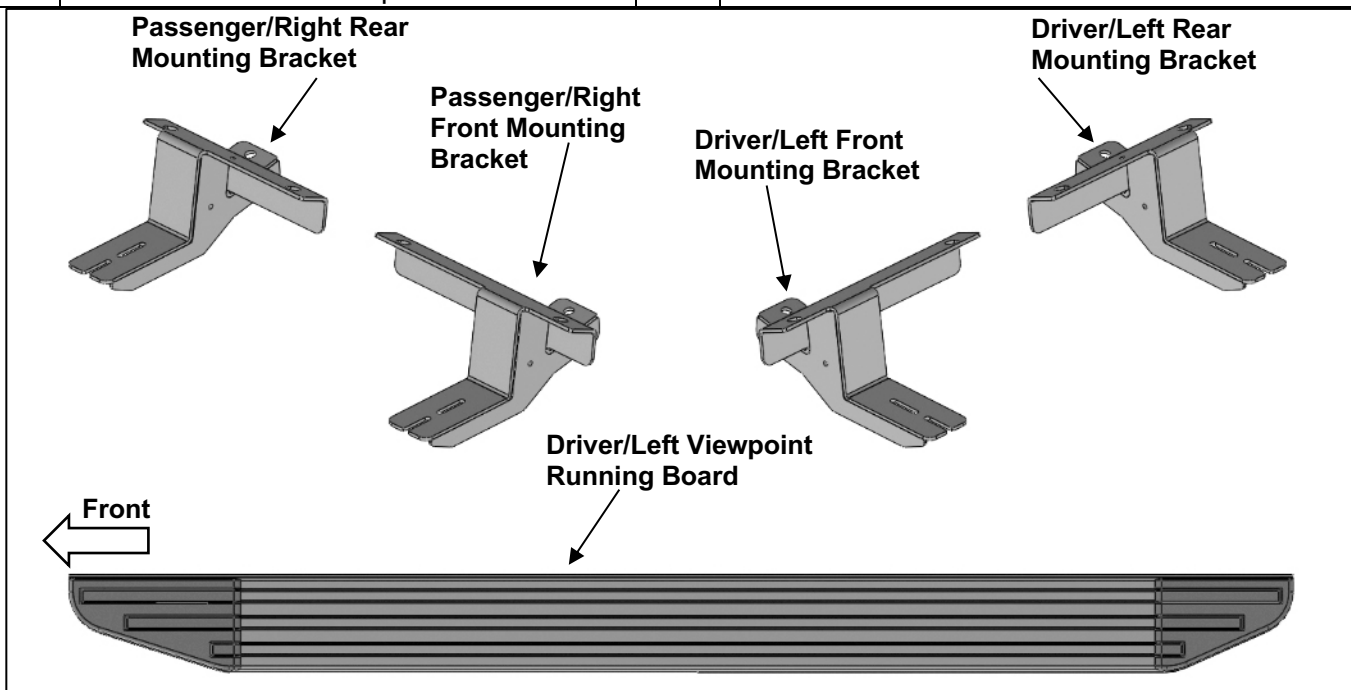


**VIEWPOINT RUNNING BOARD  
2020 TOYOTA HIGHLANDER**

**PARTS LIST:**

1	Driver/Left Viewpoint Running Board	4	10-1.5mm x 50mm Hex Bolts
1	Passenger/Right Viewpoint Running Board	12	10mm x 27mm OD x 3mm Flat Washers
1	Driver/Left Front mounting Bracket	12	10mm Lock Washers
1	Passenger/Right Front Mounting Bracket	12	10mm Hex Nuts
1	Driver/Left Rear Mounting Bracket	8	6-1.0mm x 20mm T-Bolts
1	Passenger/Right Rear Mounting Bracket	8	6mm x 22mm OD x 2mm Flat Washers
4	Support Plates	8	6mm Lock Washers
8	10-1.5mm x 40mm Bolt plates	8	6mm Hex Nuts



**PROCEDURE:**

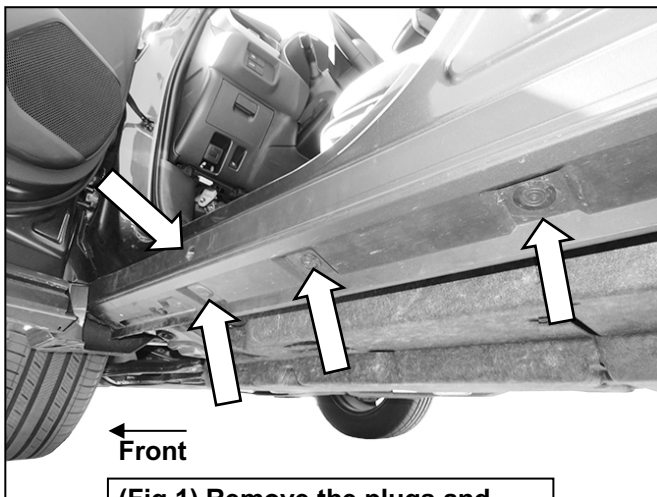
- 1. REMOVE CONTENTS FROM BOX. VERIFY ALL PARTS ARE PRESENT. READ INSTRUCTIONS CAREFULLY. ASSISTANCE IS HIGHLY RECOMMENDED.**
- Starting on the Driver/Left side of the vehicle, open the doors to remove the screws attaching the plastic trim to the vehicle. Remove the plugs from the plastic trim. Gently pull the plastic trim away from the vehicle, **(Figure 1)**.
- Move to the front location under the Driver/Left front door, **(Figure 2)**. Select (2) 10mm Bolt Plates. Insert the Bolt Plates into the holes, **(Figure 3)**.
- Select the Driver/Left Front Mounting Bracket. Attach the Bracket to the (2) 10mm Bolt Plates with (2) 10mm Flat Washers, (2) 10mm Lock Washers and (2) 10mm Hex Nuts, **(Figures 4 & 6)**. Do not tighten hardware at this time.
- Select (1) Support Plate.
  - Thread (1) 10mm Hex Nut to (1) 10mm x 50mm Hex Bolt.
  - Slide (1) 10mm Lock Washer and (1) 10mm Flat washer onto the 10mm Hex Bolt.
  - Thread the 10mm Hex Bolt assembly into the welded nut on the back of the Mounting Bracket. Place the Support Plate onto the end of the 10mm Hex Bolt, **(Figure 5)**.
  - Tighten Hex Bolt to place the Support Plate onto the floor panel. Do not tighten Hex Bolt all the way. **NOTE:** Use the 10mm Hex Nut to adjust the level of the Mounting Bracket.
- Select the Driver/Left Rear Mounting Bracket. Repeat **Steps 2—5** to attach the Bracket to the rear location, **(Figures 7 & 8)**. Do not tighten hardware at this time.
- Place the Plastic Trim onto the Mounting Brackets. Determine where the trim needs to be cut and mark with tape, **(Figure 9)**. Using a hacksaw or knife, make small cuts on the marked trim. Reattach the plastic trim to the vehicle.

**VIEWPOINT RUNNING BOARD  
2020 TOYOTA HIGHLANDER**

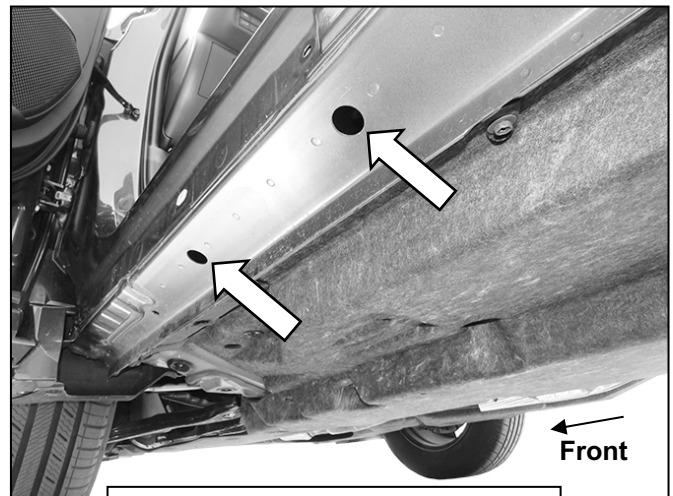
8. Select (1) 10mm Block Bolt. Insert the Block Bolt into the inner hole on the floor panel and rotate to sit on the edges of the hole, **(Figure 9)**.
9. Select the Driver/Left Running Board. Carefully flip the board over. Select (4) 6mm T-Bolts and insert (2) 6mm T-Bolts per channel, **(Figure 10)**.
10. Attach the Running Board to the Mounting Brackets with (4) 6mm Flat Washers, (4) 6mm Lock Washers and (4) 6mm Hex Nuts, **(Figure 11)**. Do not tighten hardware at this time.
11. Level and adjust the Running Board and tighten all hardware.
12. Repeat **Steps 1—11** to attach the Passenger/Right Running Board.
13. Do periodic inspections to the installation to make sure that all hardware is secure and tight.

**To protect your investment,** Do not use any type of polish or wax that may contain abrasives that could damage the finish. Use only mild soap to clean the Running Board.

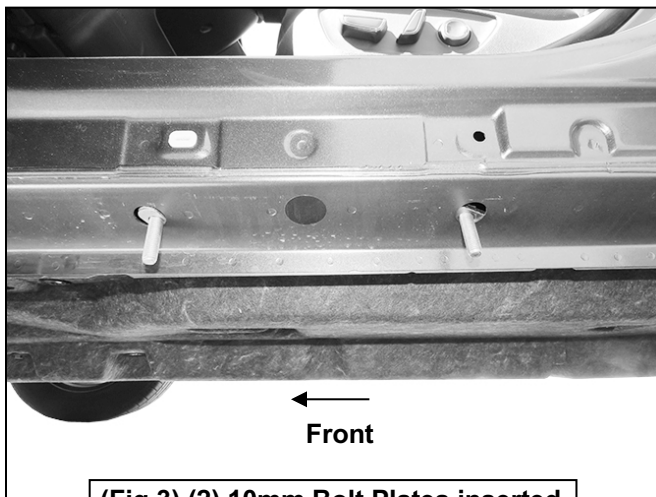
**Driver/Left Side Installation Pictured**



**(Fig 1) Remove the plugs and screws to remove the plastic trim**

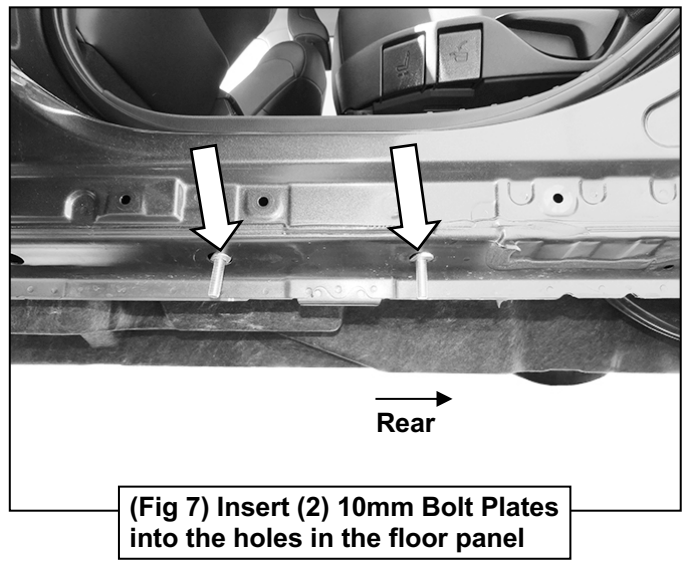
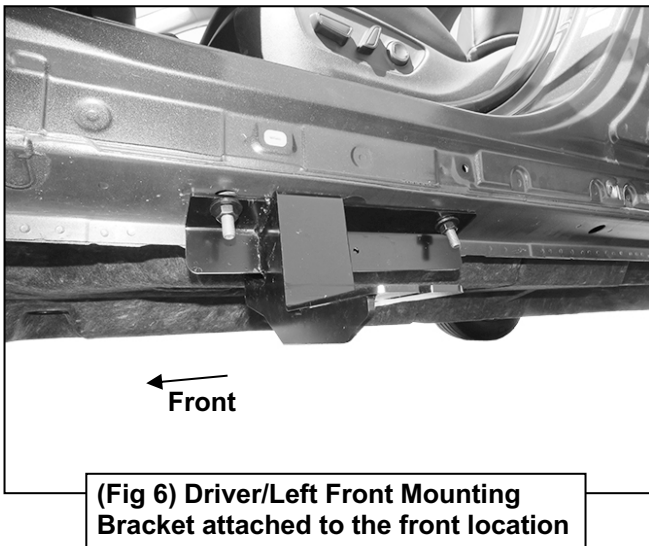
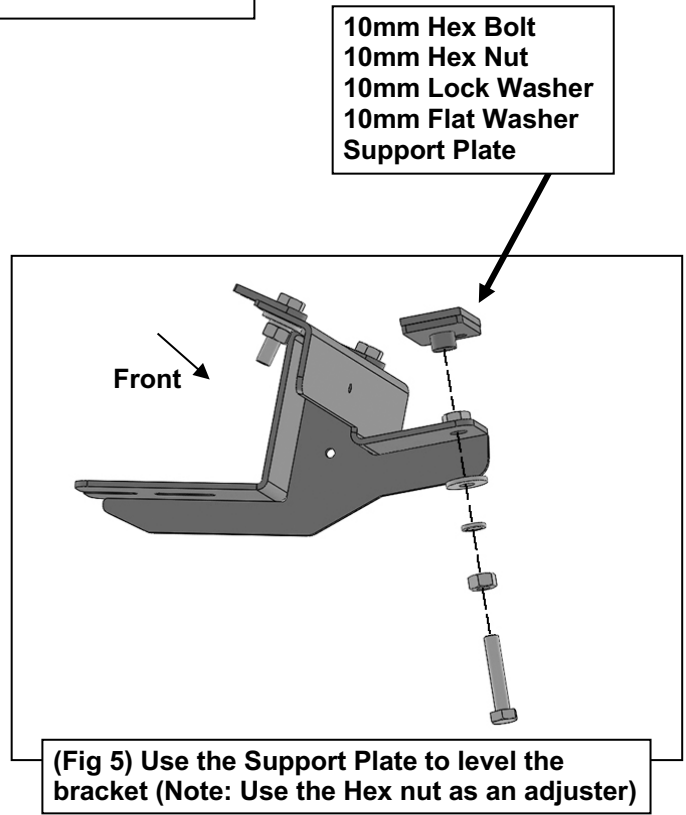
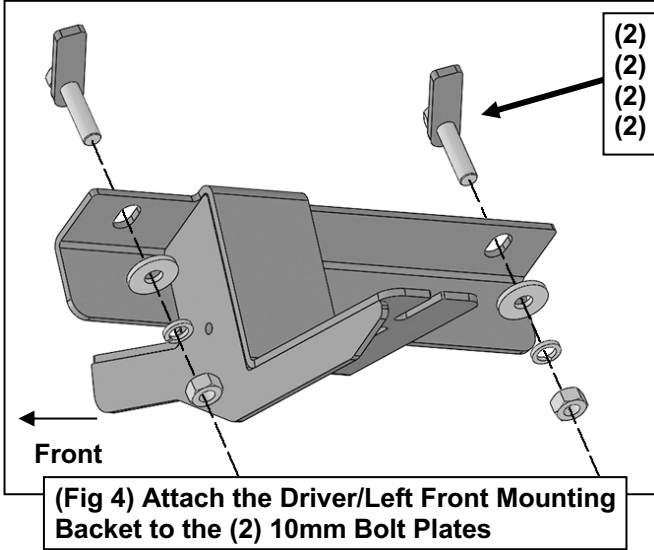


**(Fig 2) Insert (2) 10mm Bolt Plates into the holes in the floor panel**

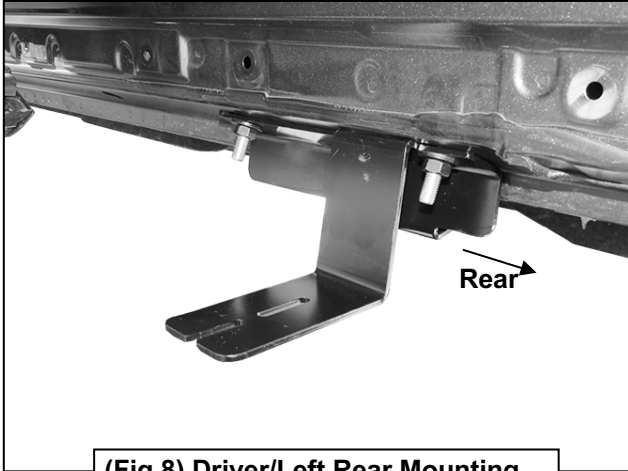


**(Fig 3) (2) 10mm Bolt Plates inserted into the holes in the floor panel**

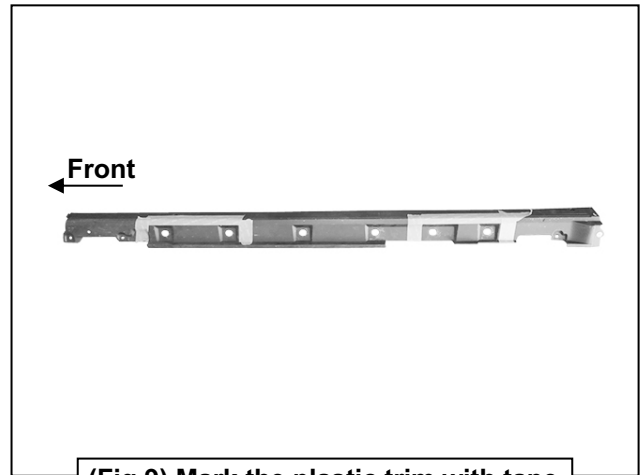
Driver/Left Side Installation Pictured



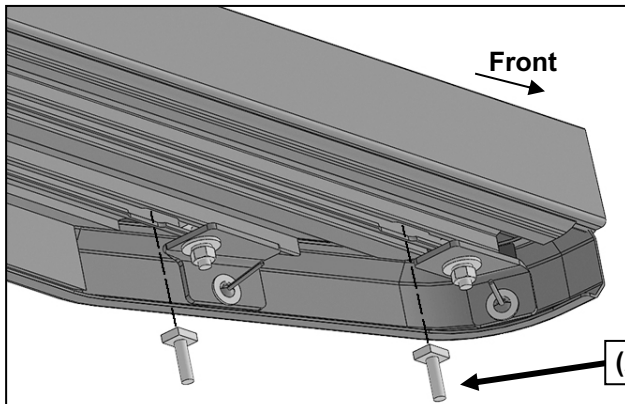
Driver/Left Side Installation Pictured



(Fig 8) Driver/Left Rear Mounting Bracket attached to the floor panel

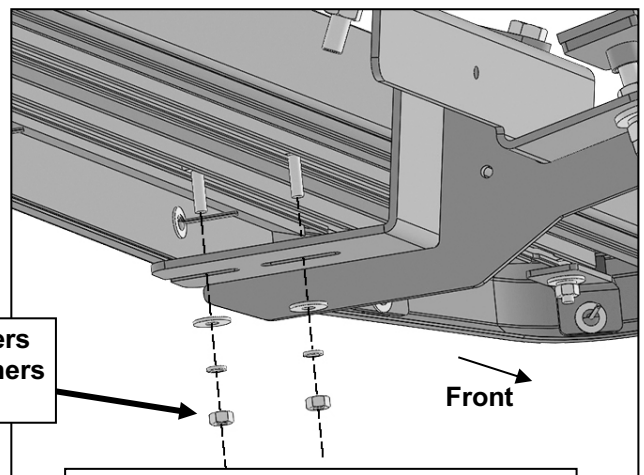


(Fig 9) Mark the plastic trim with tape and cut to clear Mounting Brackets



(2) 6mm T-Bolts

(Fig 10) Insert 6mm T-Bolts into the channels on the bottom of the Running Board



(2) 6mm Flat Washers  
(2) 6mm Lock Washers  
(2) 6mm Hex Nuts

(Fig 11) Attach the Driver/Left Running Board to the Mounting Brackets