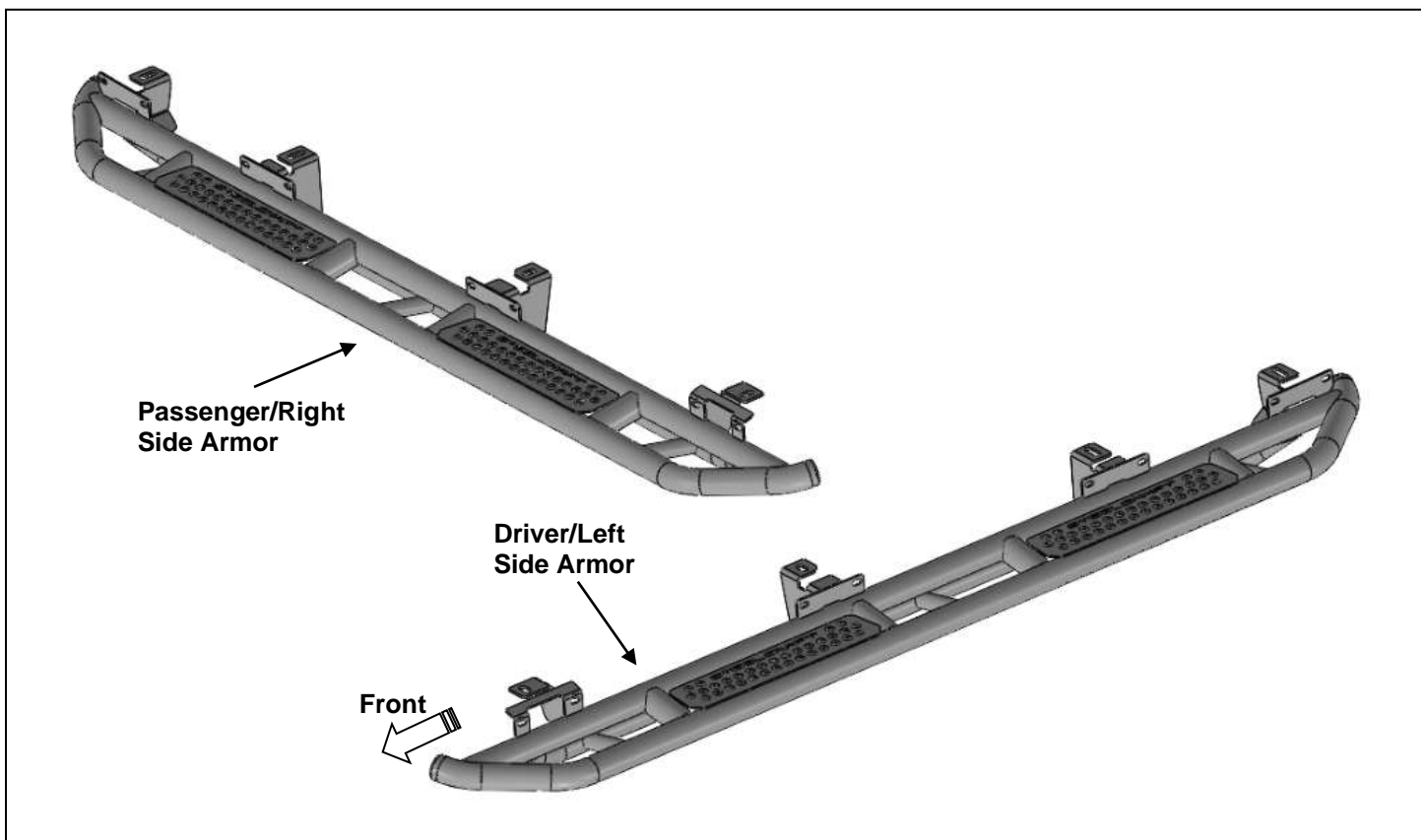


Parts List:

1	Driver/Left Side Armor	8	8mm x 28mm OD x 3mm Flat Washers
1	Passenger/Right Side Armor	16	6-1.0mm x 25mm Hex Bolts
8	8-1.25mm x 35mm Hex Bolts	32	6mm x 22mm OD x 2mm Flat Washers
8	8mm Lock Washers	16	6mm Nylon Lock Nuts

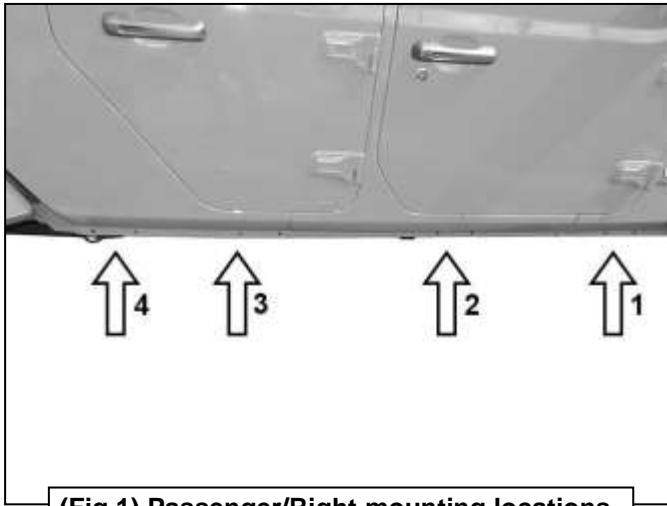


PROCEDURE:

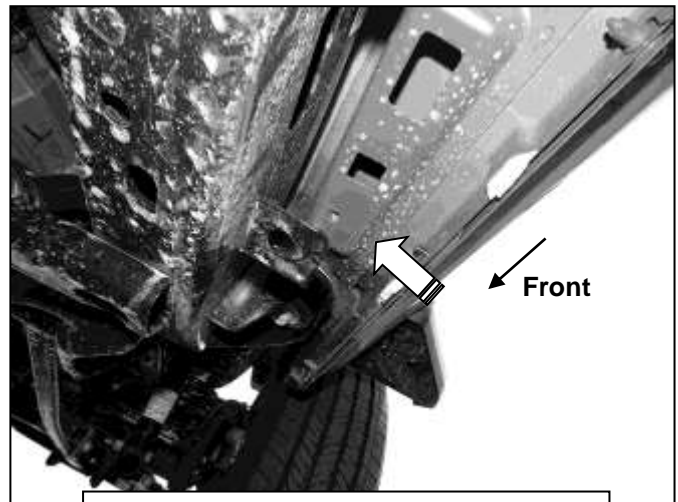
1. REMOVE CONTENTS FROM BOX. VERIFY ALL PARTS ARE PRESENT. READ INSTRUCTIONS CAREFULLY BEFORE STARTING INSTALLATION. SIDE STEPS OR RUNNING BOARDS MUST BE REMOVED BEFORE INSTALLATION.
2. Start installation on the Passenger/Right side of the of the vehicle. Installation will use all mounting locations, **(Figure 1)**. Find the threaded inserts located in between the pairs of holes along the pinch weld, **(Figures 2—5)**.
3. Select the Passenger/Right Side Armor. Attach the Side Armor to the threaded inserts with (4) 8mm Hex Bolts, (4) 8mm Lock Washers and (4) 8mm Flat Washers, **(Figure 6)**. Do not tighten hardware.
4. Attach the Side Armor to the pinch weld with (8) 6mm Hex Bolts, (16) 8mm Flat Washers and (8) 6mm Nylon Lock Nuts, **(Figure 6)**. Do not tighten hardware.
5. Level and adjust the Side Armor and tighten all hardware.
6. Repeat **Steps 2—5** for Driver/Left Side Armor installation.
7. Do periodic inspections to the installation to make sure that all hardware is secure and tight.

To protect your investment, Do not use any type of polish or wax that may contain abrasives that could damage the finish. Mild soap may be used to clean Sidebar.

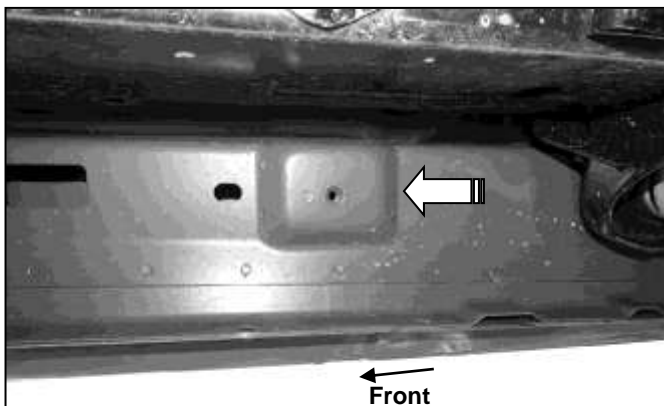
Passenger/Right Side Installation Pictured



(Fig 1) Passenger/Right mounting locations

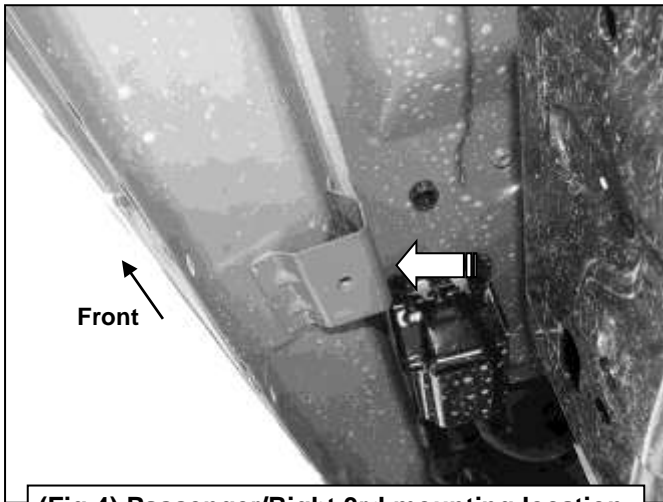


(Fig 2) Passenger/Right front mounting location with threaded insert

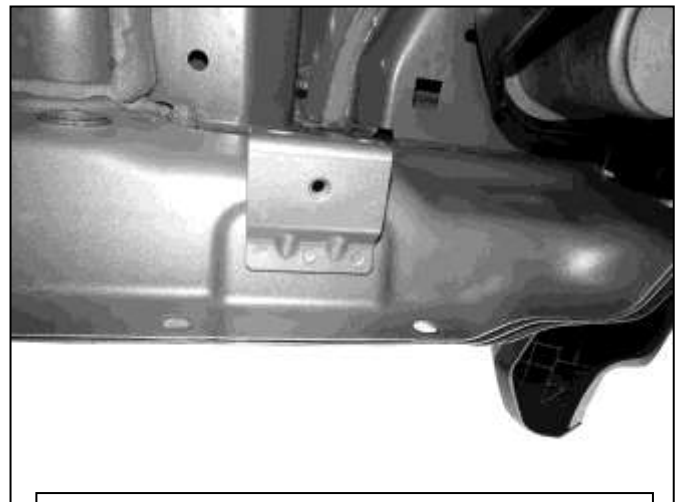


(Fig 3) Passenger/Right 2nd mounting location

Passenger/Right Side Installation Pictured

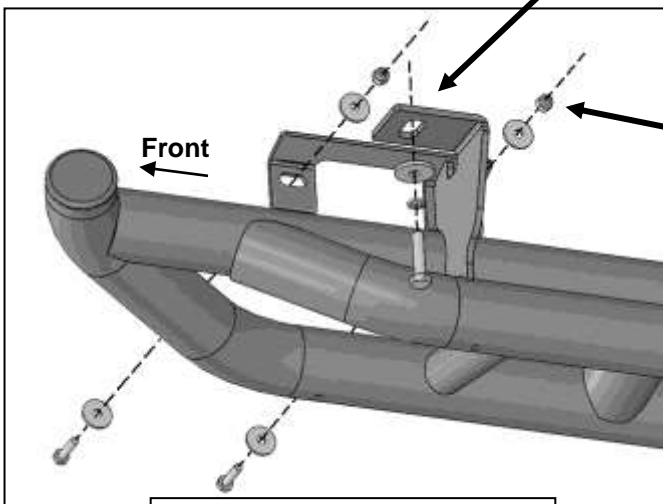


(Fig 4) Passenger/Right 3rd mounting location



(Fig 5) Passenger/Right rear mounting location

- (1) 8mm x 35mm Hex Bolt
- (1) 8mm Lock Washer
- (1) 8mm x 28mm Flat Washer



- (2) 6mm Hex Bolts
- (4) 6mm Flat Washers
- (2) 6mm Nylon Lock Nuts

(Fig 6) Passenger/Right Front Mounting Bracket installation