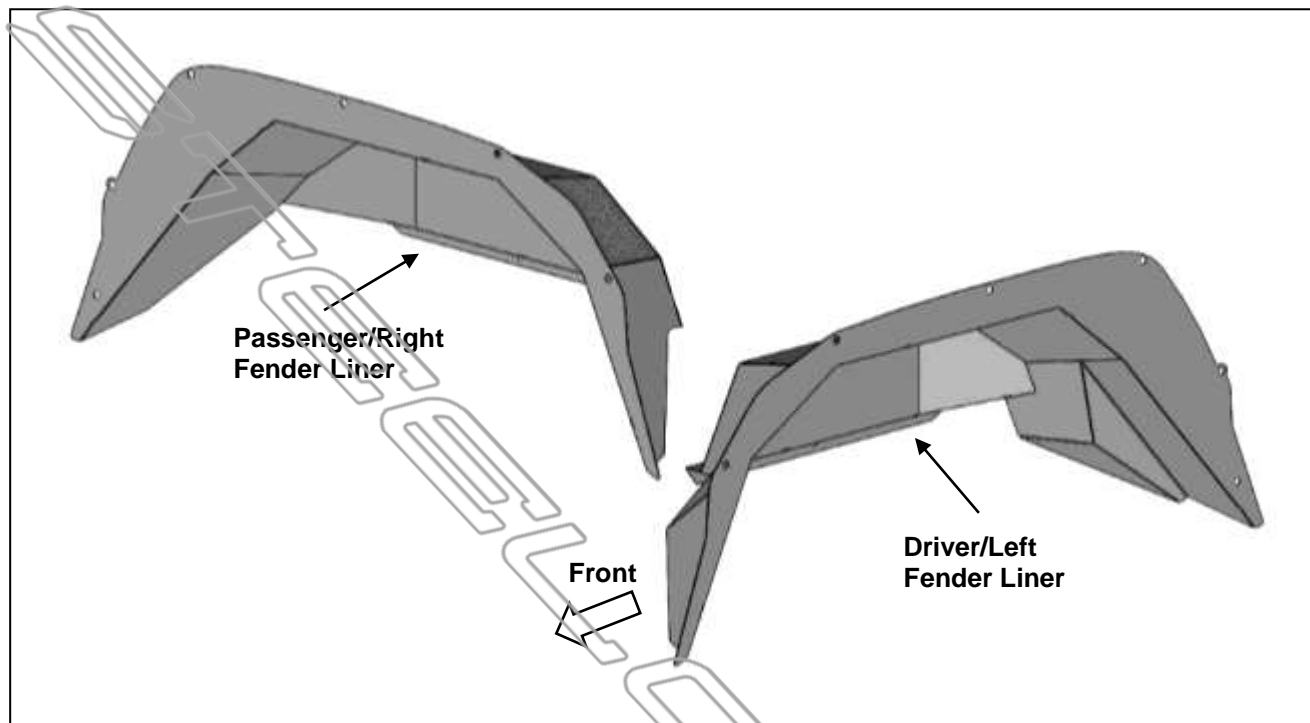


**ALUMINUM REAR FENDER LINERS
2020-22 JEEP GLADIATOR**

PARTS LIST:

| | | | |
|----|-----------------------------------|---|--|
| 1 | Driver/Left Fender Liner | 6 | 6-1.0mm x 20mm Button Head Combo Bolts |
| 1 | Passenger/Right Fender Liner | 6 | 6mm Clip Nuts |
| 12 | 8-1.25mm x 30mm Button Head Bolts | 1 | 5mm Hex Wrench |
| 12 | 8mm Lock Washers | 1 | 4mm Hex Wrench |
| 12 | 8mm x 22mm OD x 2mm Flat Washers | | |



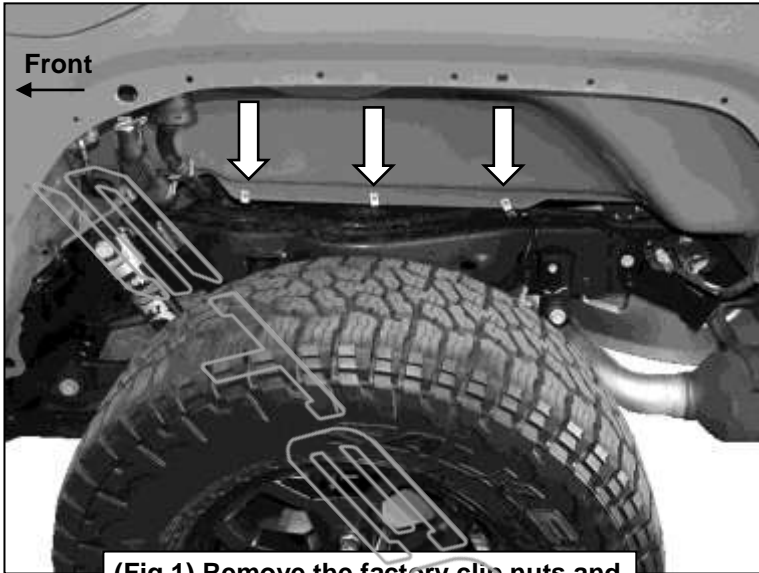
PROCEDURE:

REMOVE CONTENTS FROM BOX. VERIFY ALL PARTS ARE PRESENT. READ INSTRUCTIONS CAREFULLY. ASSISTANCE IS RECOMMENDED.

1. Start installation in the Driver/Left wheel well. Locate the tabs along the bottom of the wheel well above the frame, **(Figure 1)**. **NOTE:** The factory fender liner is attached to these tabs.
2. Select (3) 6mm Clip Nuts. Slide the Clip Nuts onto the (3) inner mounting tabs, **(Figure 1)**.
3. Select the Driver/Left Rear Fender Liner. Insert the Fender Liner into position up to the back of the inner body panel. **IMPORTANT:** If the vehicle has aftermarket fenders previously installed, it may be necessary to temporarily remove any hardware interfering with the Fender Liners. **NOTE:** It may be easier to install the Fender Liner with the vehicle raised up and/or rear tire removed.
4. Attach the bottom of the Fender Liner to the (3) 6mm Clip Nuts with (3) 6mm Button Head Combo Bolts, **(Figure 2)**. Do not tighten hardware.
5. Attach the Fender Liner to the (6) mounting locations with (6) 8mm Button Head Bolts, (6) 8mm Lock Washers and (6) 8mm Flat Washers, **(Figures 3—5)**. Do not tighten hardware.
6. Align and adjust the Fender Liner. Fully tighten all hardware attaching the Fender Liner and fender.
7. Repeat **Steps 1—6** for Passenger/Right side Fender Liner installation.
8. Do periodic inspections to the installation to make sure that all hardware is secure and tight.

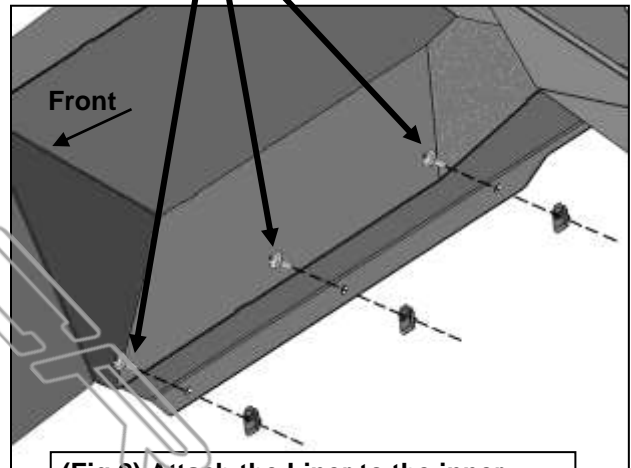
To protect your investment, Do not use any type of polish or wax that may contain abrasives that could damage the finish. Mild soap may be used to clean the Fender Liners.

Driver/Left Side Installation Pictured

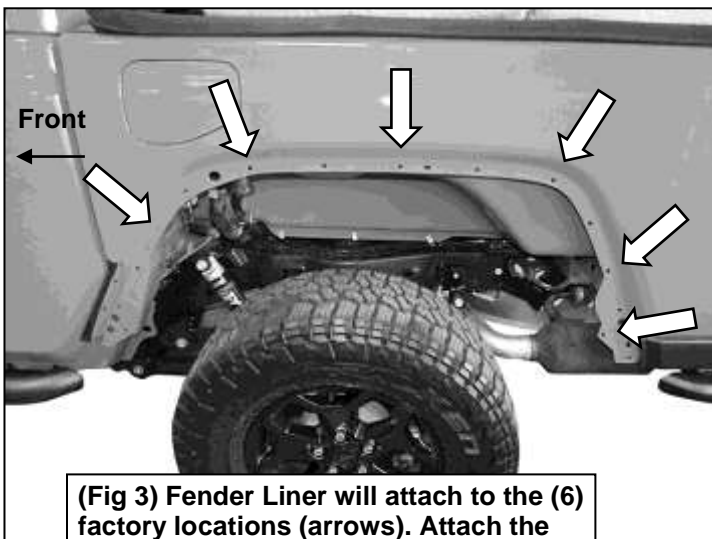


(Fig 1) Remove the factory clip nuts and slide (3) 6mm Clip Nuts onto the (3) mounting holes inside the wheel well

(3) 6mm Button Head Combo Bolts
(3) 6mm Clip Nuts

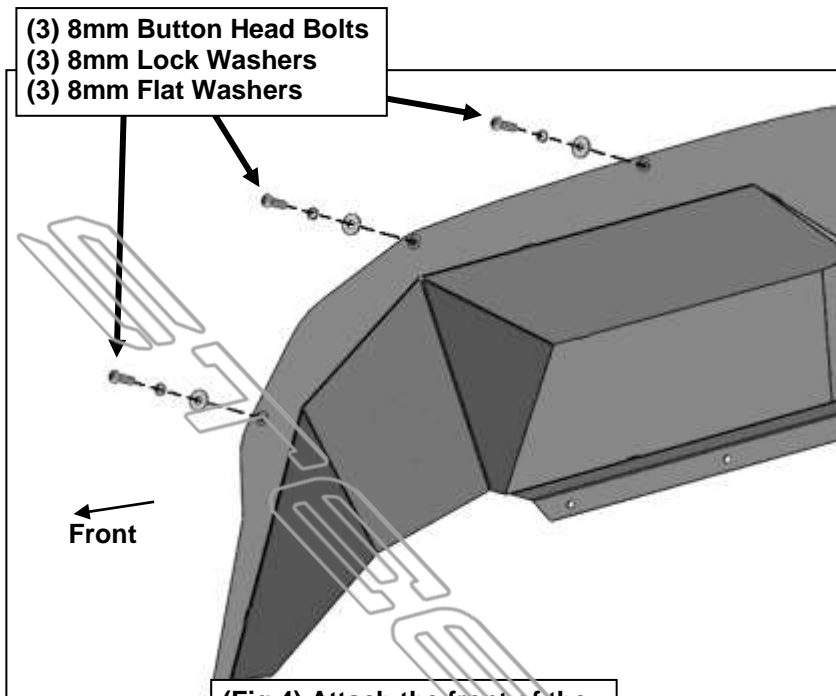


(Fig 2) Attach the Liner to the inner body panel. (NOTE: Slide the (3) Clip Nuts onto the panel first)

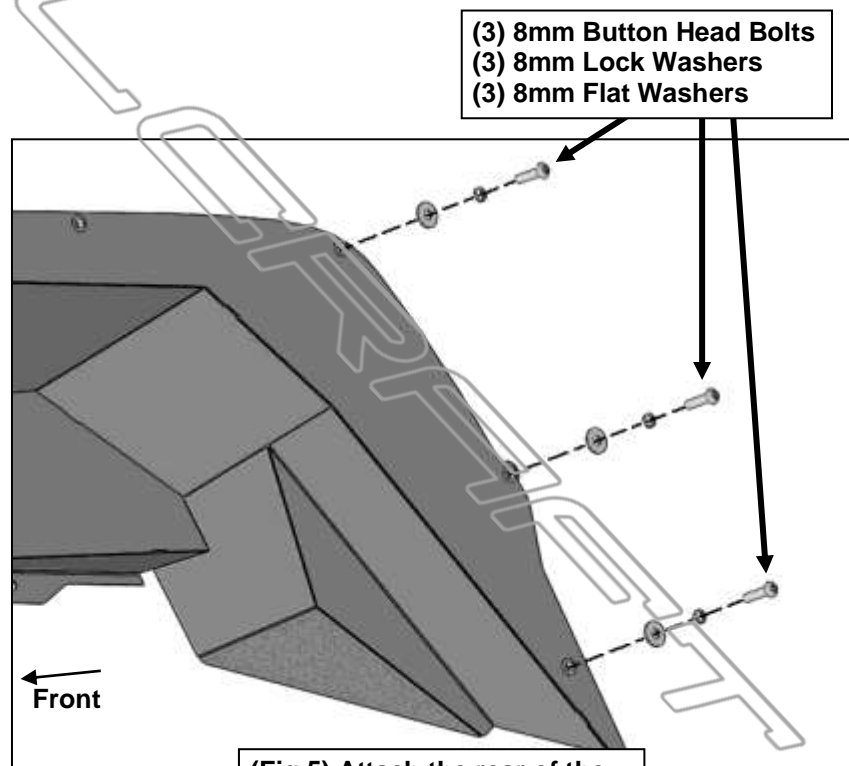


(Fig 3) Fender Liner will attach to the (6) factory locations (arrows). Attach the Fender Liner to these mounting points

**ALUMINUM REAR FENDER LINERS
2020-22 JEEP GLADIATOR**



(Fig 4) Attach the front of the Fender Liner to the wheel well



(Fig 5) Attach the rear of the Fender Liner to the wheel well