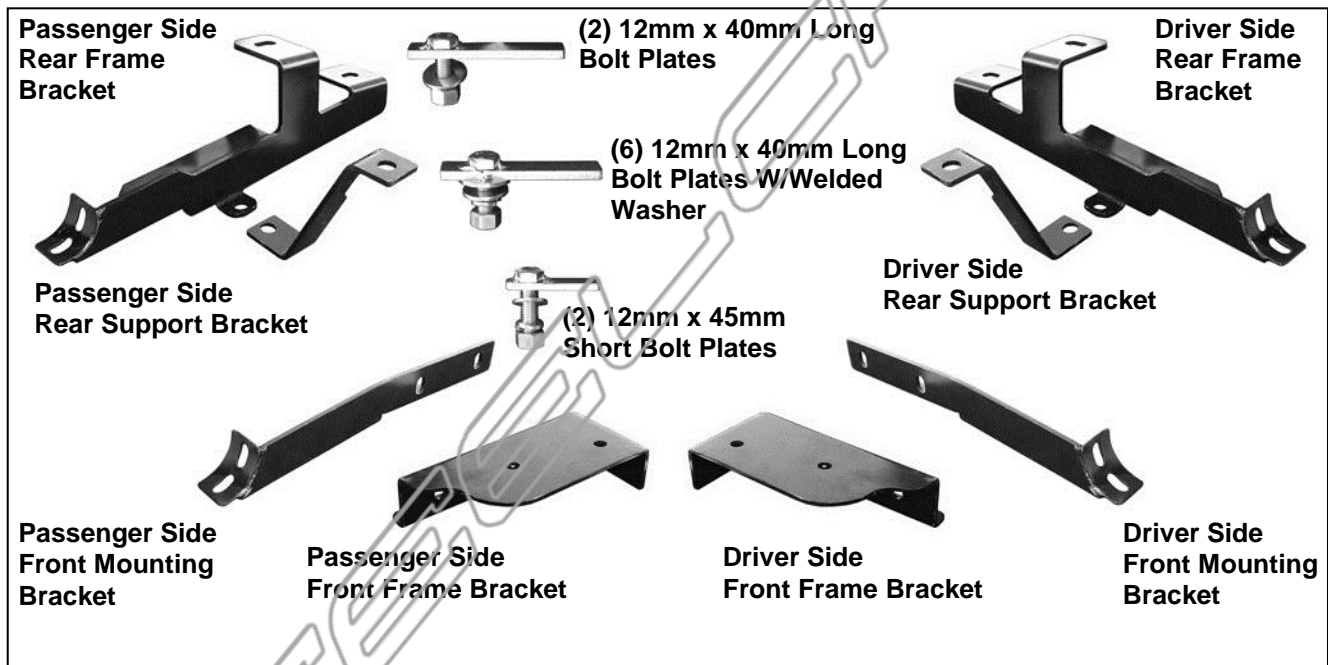


PARTS LIST:

1	Driver/Left Sidebar	4	12-1.75mm x 35mm Hex Bolts
1	Passenger/Right Sidebar	8	12mm x 32mm OD x 3mm Flat Washers
1	Driver/Left Front Frame Bracket	10	12mm x 24mm OD x 2.5mm Flat Washers
1	Passenger/Right Front Frame Bracket	14	12mm Lock Washers
1	Driver/Left Front Sidebar Mounting Bracket	14	12mm Hex Nuts
1	Passenger/Right Front Sidebar Mounting Bracket	2	10-1.50mm x 35mm Hex Bolts
1	Driver/Left Rear Frame Mounting Bracket	4	10mm x 20mm OD x 2mm Flat Washers
1	Passenger/Right Rear Frame Mounting Bracket	2	10mm Lock Washers
1	Driver/Left Rear Support Bracket	2	10mm Hex Nuts
1	Passenger/Right Rear Support Bracket	8	8-1.25mm x 25mm Hex Bolts
6	12-1.75mm x 40mm Long Bolt Plates (with welded washer)	8	8mm ID x 24mm OD x 2mm Flat Washers
2	12-1.75mmx45mm Short Bolt Plates	8	8mm Lock Washers
2	12-1.75mmx40mm Long Bolt Plates		



PROCEDURE:

- 1. REMOVE CONTENTS FROM BOX. VERIFY ALL PARTS ARE PRESENT. READ INSTRUCTIONS CAREFULLY BEFORE STARTING INSTALLATION.**
- Starting at the driver side-front of the vehicle, locate the two factory holes in the floor panel by the front tires. Insert (1) 12mm x 40mm Bolt Plate W/Washer into each of the factory holes. **IMPORTANT!** Once you have inserted the Bolt Plates, make sure that the welded washer on each Bolt Plate is in the center of the factory hole, **(Figure 1A & 1B)**.
- Select the driver side front Frame Bracket and hang it from the (2) previously installed Bolt Plates using the included (2) 12mm x 32mm OD x 3mm Large Flat Washers, (2) 12mm Lock Washers and (2) 12mm Hex Nuts. Snug but do not tighten hardware at this time, **(Figure 2)**. **NOTE: When tightening the Bolt Plates, make sure that the welded-on washers are fully seated in the large openings in the floor at all times.**

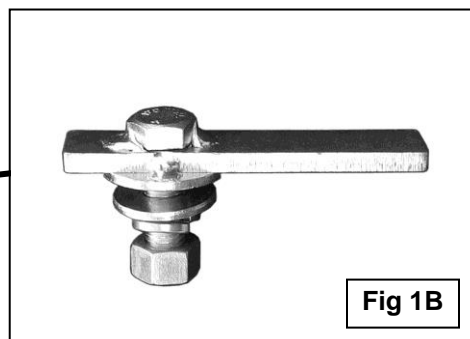
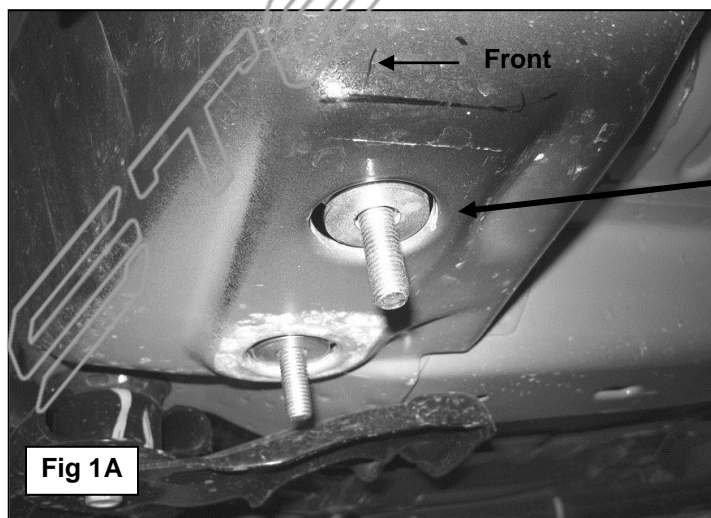
4. Bolt the driver side Mounting Bracket to the front Frame Bracket using the included (2) 12mm x 35mm Hex Bolts, (4) 12mm 24mm x 2.5mm STD Flat Washers, (2) 12mm Lock Washers and (2) 12mm Hex Nuts, **(Figure 3)**. Snug but do not tighten hardware at this time.
5. Move to the driver side rear of the vehicle and locate the factory hole (1) in the bottom of the suspension mount and the hole (1) in the bottom of the inner frame channel, **(Figure 4A)**. Select (1) 12mm x 40mm Bolt Plate W/Washer and insert it into the large hole in the suspension mount. Select (1) 12mm x 40mm Long Bolt Plate, (no washer) and insert it into the hole in the bottom of the frame channel, **(Figure 4A & 4B)**. Hang the driver side Rear Mounting Bracket from the (2) Bolt Plates with (2) 12mm x 32mm Large Flat Washers, (2) 12mm Lock Washers and (2) 12mm Hex Nuts, **(Figure 5)**. Snug but do not tighten hardware at this time.
6. Next, insert (1) 12mm x 45mm Small Bolt Plate into the hole in the bottom of the rocker panel, **(Figure 6A & 6B)**. Select the driver side Rear Support Bracket. Hang the Support Bracket from the Small Bolt Plate with (1) 12mm x 24mm STD Flat Washer, (1) 12mm Lock Washer and (1) 12mm Hex Nut, **(Figure 7)**. Line up the lower hole in the Support Bracket with the bottom of the tab on the rear Mounting Bracket. Bolt the Support Bracket to the Mounting Bracket with (1) 10mm x 35mm Hex Bolt, (2) 10mm Flat Washers, (1) 10mm Lock Washer and (1) 10mm Hex Nut, **(Figure 7)**. Snug all hardware but go not fully tighten at this time.
7. Carefully position the driver Sidebar onto the Mounting Brackets and attach it using the included (4) 8mm x 25mm Hex Bolts, (4) 8mm Lock Washers and (4) 8mm Flat Washers, **(Figure 8)**. Do not tighten hardware at this time.
8. Align and adjust the Sidebar properly and fully tighten all hardware. **IMPORTANT: Before tightening the front Support Bracket and the rear Mounting Bracket to vehicle, make sure that Bolt Plates are in the center of the holes in the vehicle.**
9. Repeat steps 2 – 8 for passenger Sidebar installation.
10. Do periodic inspections to the installation to make sure that all hardware is secure and tight.

To protect your investment, wax this product after installing. Regular waxing is recommended to add a protective layer over the finish. Do not use any type of polish or wax that may contain abrasives that could damage the finish.

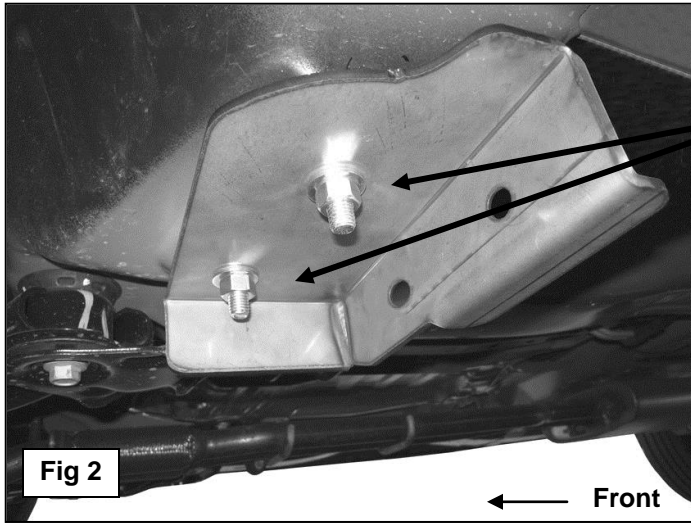
For stainless steel: Aluminum polish may be used to polish small scratches and scuffs on the finish. Mild soap may be used also to clean the Sidebar.

For gloss black finishes: Mild soap may be used to clean the Sidebar.

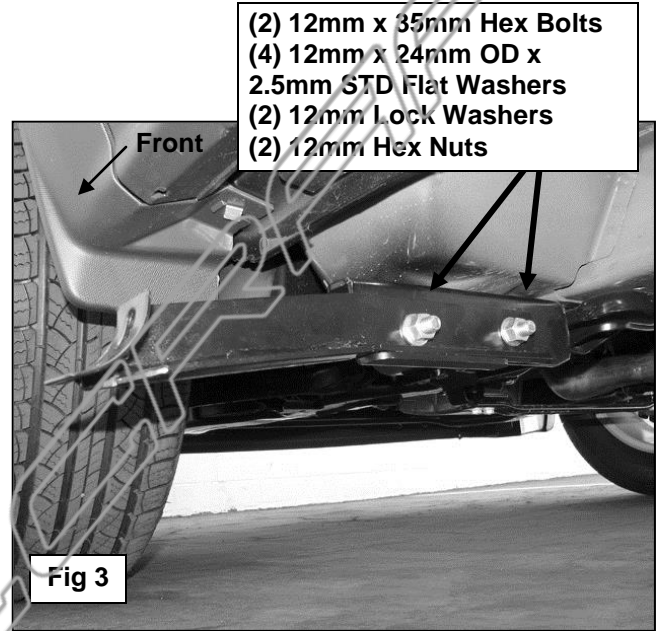
Driver Side Installation Pictured



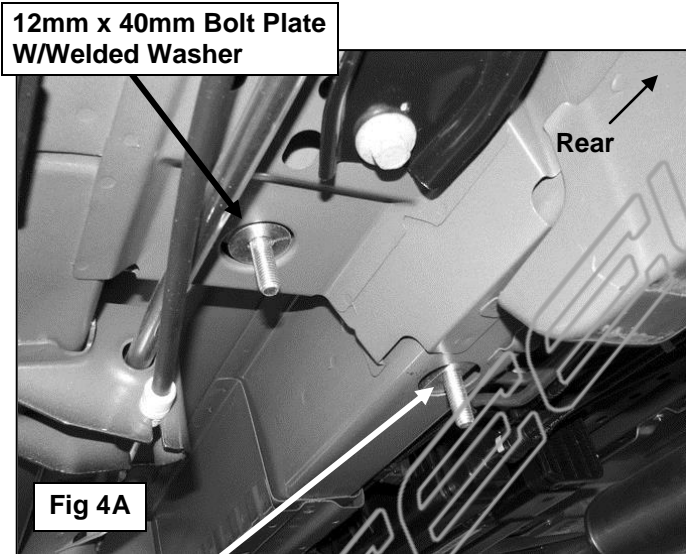
Insert Bolt Plates (with welded-on washer) into openings in floor panel. Center washer in opening.



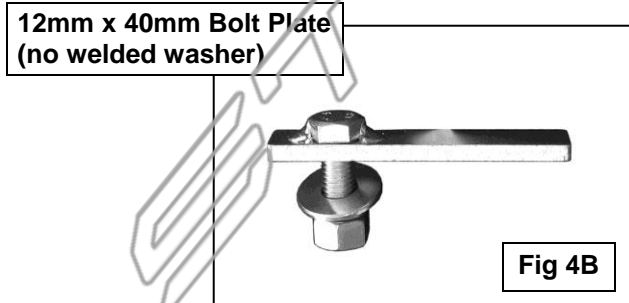
- (2) 12mm x 40mm Bolt Plates W/Welded Washers
- (2) 12mm x 32mm OD x 3mm Large Flat Washers
- (2) 12mm Lock Washers
- (2) 12mm Hex Nuts



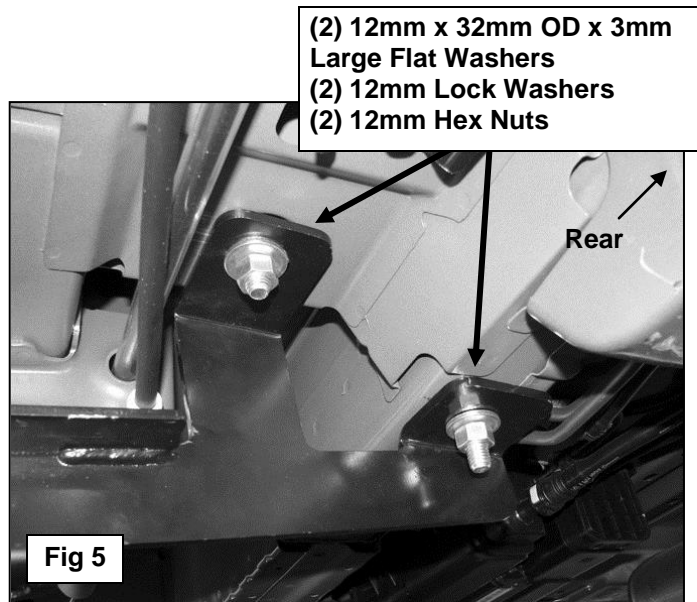
- (2) 12mm x 35mm Hex Bolts
- (4) 12mm x 24mm OD x 2.5mm STD Flat Washers
- (2) 12mm Lock Washers
- (2) 12mm Hex Nuts



12mm x 40mm Bolt Plate W/Welded Washer

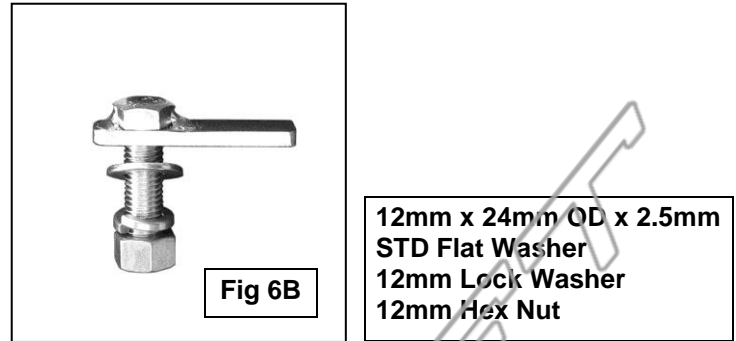
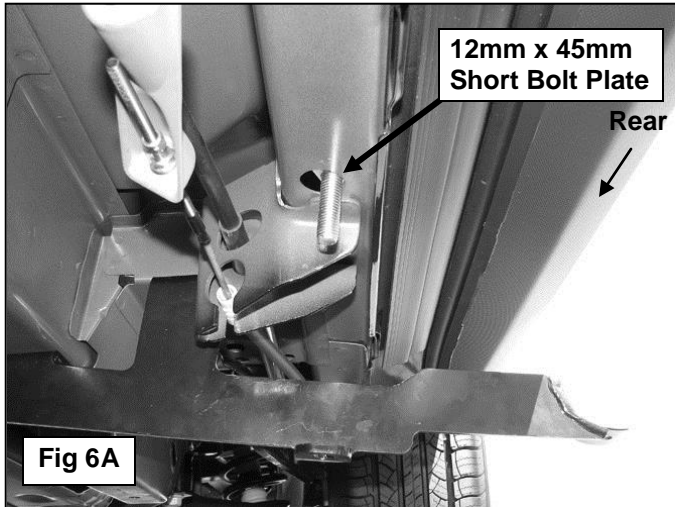


12mm x 40mm Bolt Plate (no welded washer)

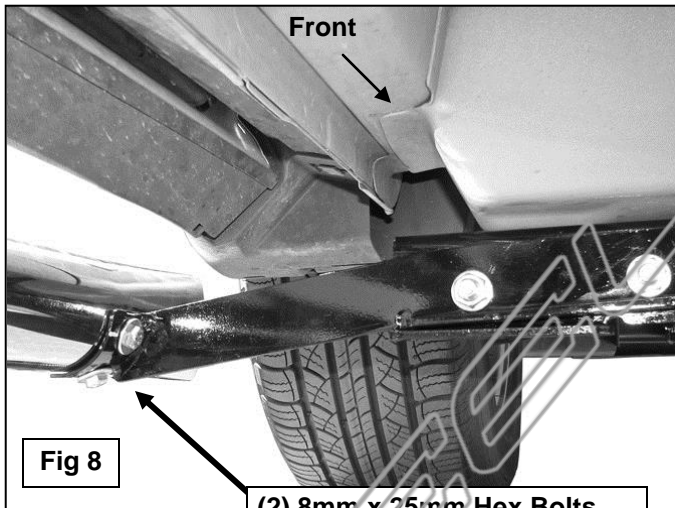


- (2) 12mm x 32mm OD x 3mm Large Flat Washers
- (2) 12mm Lock Washers
- (2) 12mm Hex Nuts

SIDEBAR
2010-2012 CHEVY EQUINOX/GMC TERRAIN



10mm x 35mm Hex Bolt
(2) 10mm x 20mm OD x 2mm Flat Washers
10mm Lock Washer
10mm Hex Nut



(2) 8mm x 25mm Hex Bolts
(2) 8mm x 24mm OD x 2mm Flat Washers
(2) 8mm Lock Washers



Complete Installation