



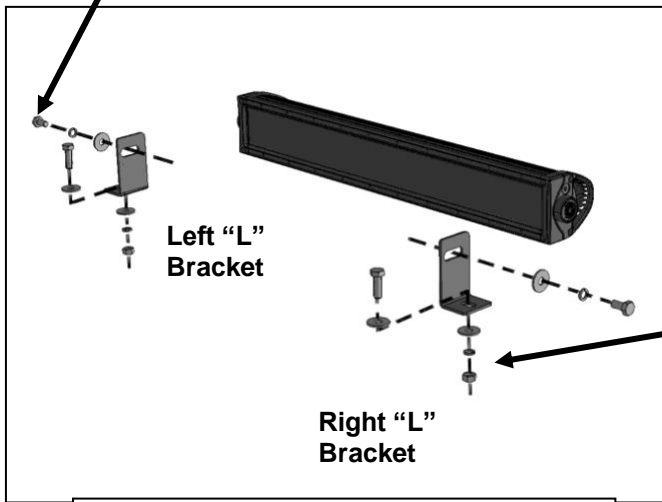






**FORTIS FRONT BUMPER  
2017-22 FORD SUPERDUTY F250-350**

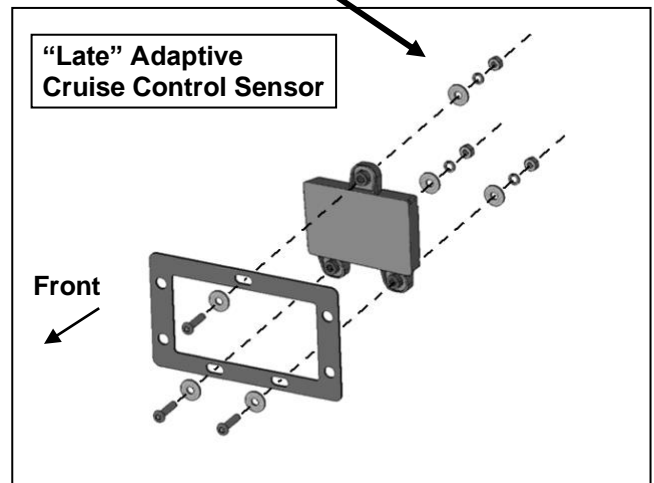
- (2) 8mm x 16mm Hex Bolts
- (2) 8mm Lock Washers
- (2) 8mm Flat Washers



(Fig 9) Example of LED Light Installation

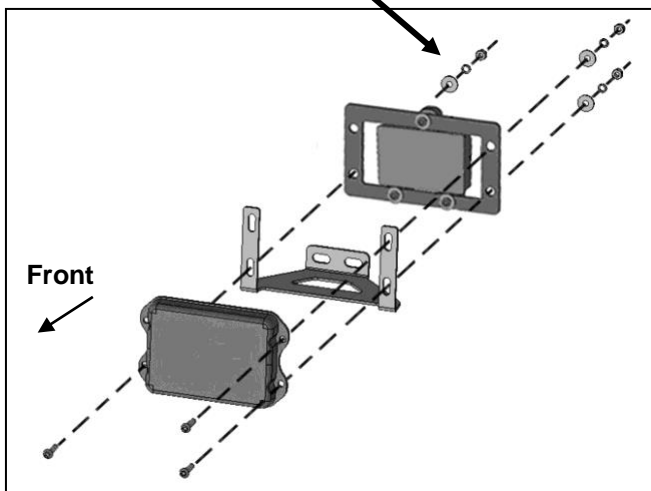
- (2) 8mm x 25mm Hex Bolts
- (4) 8mm Flat Washers
- (2) 8mm Lock Washers
- (2) 8mm Hex Nuts

- (3) 6mm Button Head Bolts
- (3) 6mm Flat Washers
- (3) 6mm Lock Washers
- (3) 6mm Hex Nuts



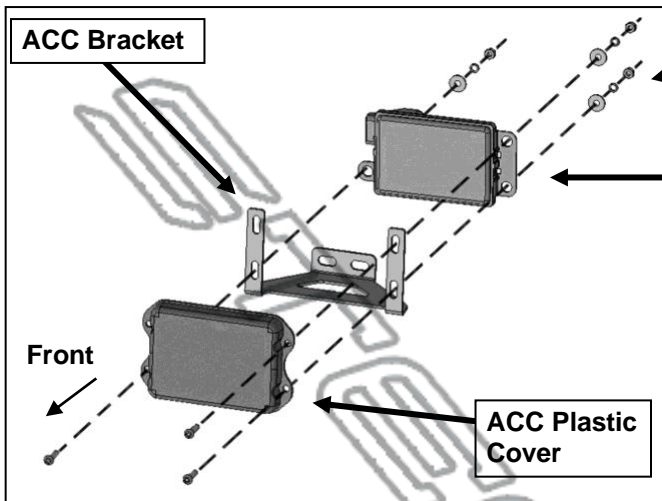
(Fig 10) Attach "Late" ACC sensor to back of Adapter Bracket

- (3) 6mm x 25mm Button Head Bolts
- (3) 6mm Flat Washers
- (3) 6mm Lock Washers
- (3) 6mm Hex Nuts



(Fig 11) Attach Adapter Bracket with "Late" ACC and plastic cover to the ACC Bracket

FORTIS FRONT BUMPER  
2017-22 FORD SUPERDUTY F250-350

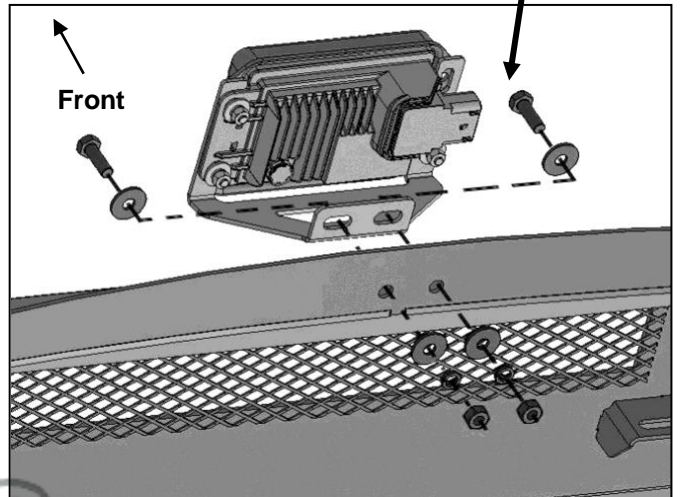


- (3) 6mm Button Head Bolts
- (3) 6mm Flat Washers
- (3) 6mm Lock Washers
- (3) 6mm Hex Nuts

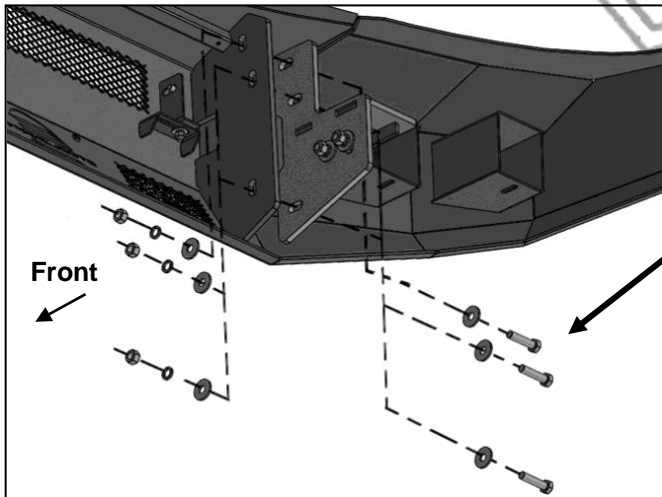
"Early" ACC sensor

- (2) 8mm x 25mm Hex Bolts
- (4) 8mm Flat Washers
- (2) 8mm Lock Washers
- (2) 8mm Hex Nuts

(Fig 12) Attach "Early" ACC and plastic cover to the ACC Bracket



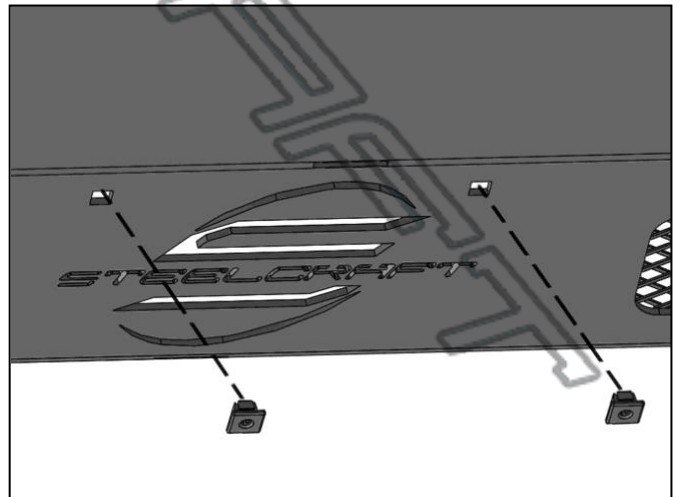
(Fig 13) Attach ACC assembly to front of Bumper ("early" style sensor illustrated)



- (3) 12mm Hex Bolts
- (6) 12mm Flat Washers
- (3) 12mm Lock Washers
- (3) 12mm Hex Nuts

(Fig 14) Attach passenger/right side of Bumper to Mounting Bracket

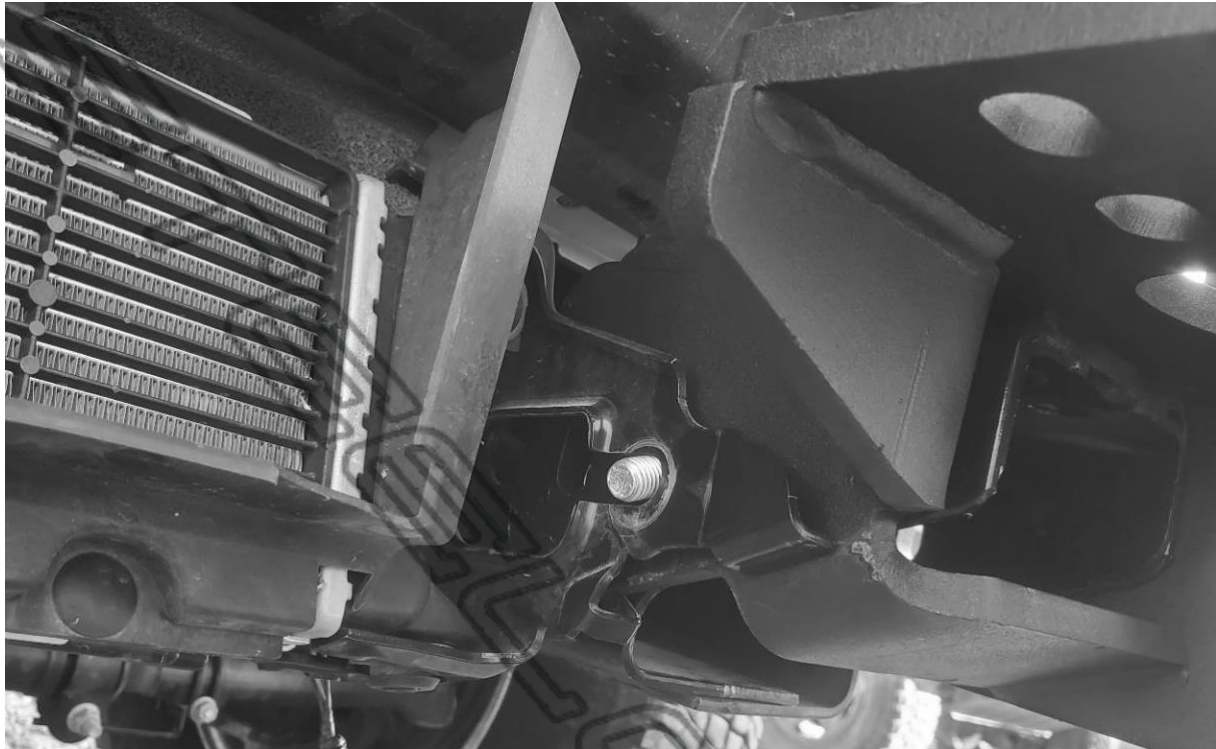
**WARNING!** Do not crawl under bumper unless the bumper is properly supported on blocks or stands or the bumper may fall.



(Fig 15) Push plastic plugs into holes in Bumper for license plate if required

**Supplemental Installation Steps:** Some 2022 F-350's will have an extra cooler between frame.

- Trim tabs off OE cooler brackets so they rest flat against the bumper brackets:



- Install cooler onto forward bolt plate:

