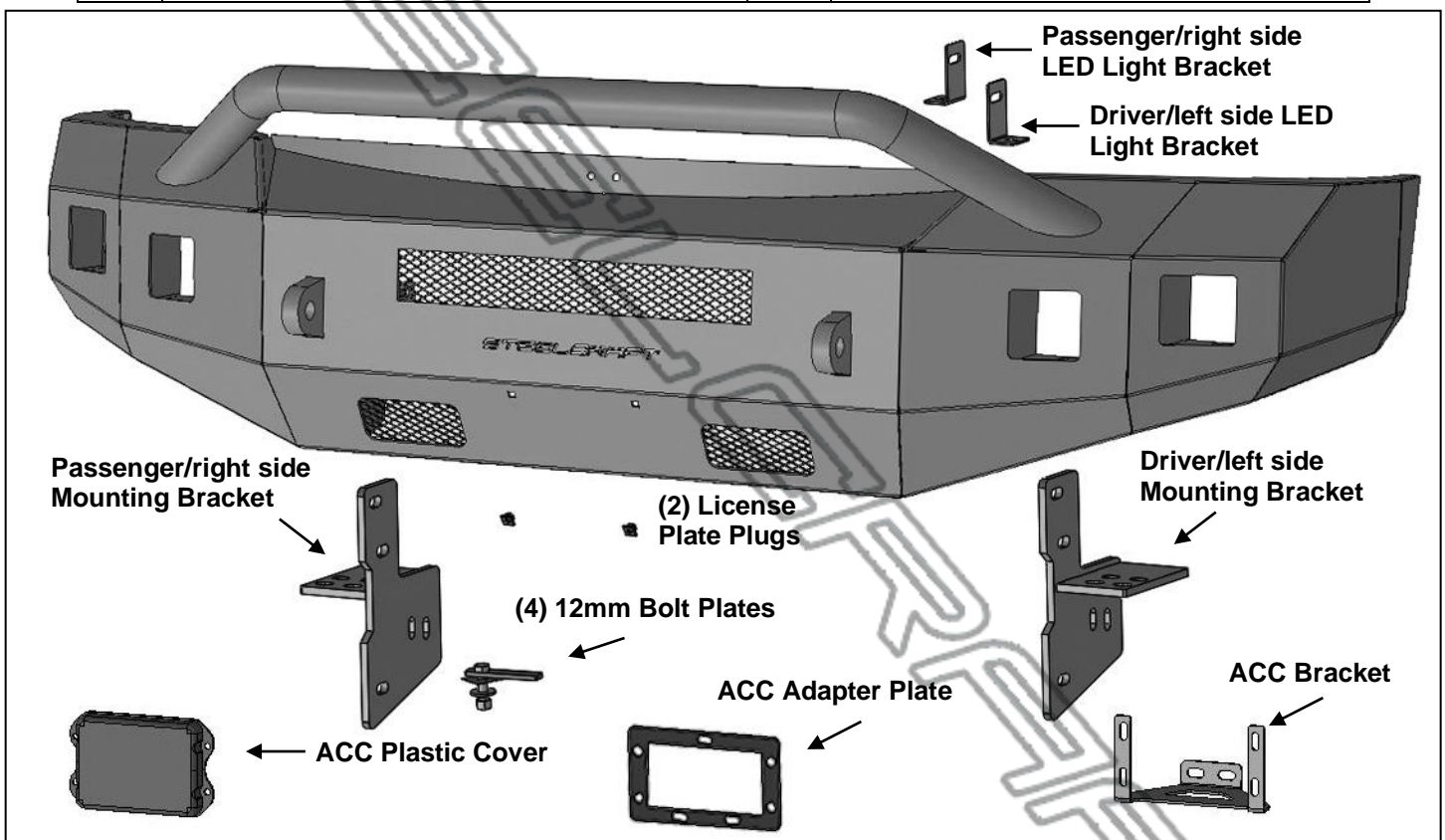


**FORTIS FRONT BUMPER  
2017-22 FORD SUPER DUTY**

**PARTS LIST:**

1	Fortis Front Bumper	32	12mm x 32mm x 3mm Flat Washers
1	Driver/left Side Mounting Bracket	18	12mm Lock Washers
1	Passenger/right Side Mounting Bracket	18	12mm Hex Nuts
2	Plastic Plugs for license plate	4	8mm x 25mm Hex Bolts
1	Driver/left Side LED Light "L" Bracket	2	8mm x 16mm Hex Bolts
1	Passenger/right Side LED Light "L" Bracket	10	8mm x 24mm x 2mm Flat Washers
1	Adaptive Cruise Control, ACC, Bracket	6	8mm Lock Washers
1	ACC Adapter Plate	4	8mm Hex Nuts
1	ACC Plastic Cover	6	6mm x 25mm Button Head Bolts
2	10mm Rubber Plugs	9	6mm x 18mm x 1.6mm Flat Washers
4	12mm x 90mm x 20mm Bolt Plates	6	6mm Lock Washers
4	12mm Plastic Retainers	6	6mm Hex Nuts
14	12-1.75mm x 50mm Hex Bolts	1	Allen Wrench



**PROCEDURE:**

**REMOVE CONTENTS FROM BOX. VERIFY ALL PARTS ARE PRESENT. READ INSTRUCTIONS CAREFULLY BEFORE STARTING INSTALLATION. BUMPER IS HEAVY, ASSISTANCE IS HIGHLY RECOMMENDED TO AVOID POSSIBLE INJURY OR DAMAGE TO THE VEHICLE.**

1. Remove the license plate and bracket. On models with factory fog lights, unplug wiring harness leading to the front bumper, **(Figure 1)**. Unplug and remove the adaptive cruise control, if equipped.
2. Remove the bumper supports attaching the outer ends of the bumper to the outside of the frame, **(Figure 2)**. Remove the plastic covers from the tow hooks to uncover the bumper bolts, **(Figure 3)**.
3. Place blocks or jack stands under the front bumper to support it during mounting bolt removal. Once the bumper has been safely supported, remove the (8) factory bumper bolts, **(Figure 4)**.

**WARNING!** Assistance is required to hold the bumper in place during bolt removal to prevent the bumper from falling. Carefully slide the bumper off over the tow hooks.

**FORTIS FRONT BUMPER  
2017-22 FORD SUPER DUTY**

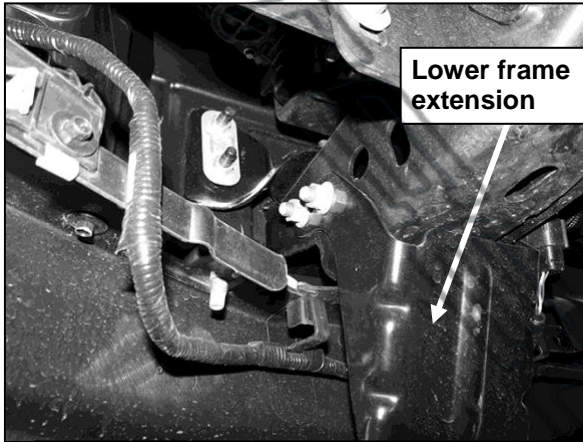
4. Remove the passenger/right side tow hook from the end of the frame, **(Figure 5)**. Next, remove the (4) factory hex nuts, lower frame extension and double bolt plates from the end of the frame, **(Figures 1 & 5)**. Repeat this **Step** to remove the driver/left side tow hook and lower frame extension. **NOTE:** Tow hooks cannot be reinstalled.
5. Locate the passenger/right side frame mounting location, **(Figure 6)**. Insert (2) 12mm Bolt Plates in through the frame channel and out the (2) inner holes of the frame, **(Figures 6 & 7)**. Use the (2) 12mm Plastic Retainers to secure the Bolt Plates tight against the frame. Select the Passenger/right side Mounting Bracket, **(Figure 7)**. Attach the Bracket to the Bolt Plates with (2) 12mm Flat Washers, (2) 12mm Lock Washers and (2) 12mm Hex Nuts, **(Figure 7)**. Do not tighten hardware at this time. **NOTE:** {2022 F-350 models: see page 7 for supplemental procedure}
6. Use the included (4) 12mm Hex Bolts, (8) 12mm Flat Washers, (4) 12mm Lock Washers and (4) 12mm Hex Nuts to attach the Bracket to the top of the frame, **(Figures 6 & 8)**. Do not tighten hardware.
7. Repeat **Steps 5 & 6** for Driver/left side Bracket installation.
8. **Optional Center LED light installation** (sold separately).
  - a. Select the L/R “L” Brackets. **NOTE:** “L” Brackets are offset for universal fitment for most LED bar style lights. Attach the LED light assembly to the “L” Brackets with the included (2) 8mm x 16mm Hex Bolts, (2) 8mm Lock Washers and (2) 8mm Flat Washers, **(Figure 9)**. Do not fully tighten hardware at this time. **NOTE:** “L” Brackets may require modification for hardware larger than 8mm or use brackets supplied with light if possible.
  - b. Attach the light and brackets to the top of the (2) tabs on the back of the Bumper with the included 8mm x 25mm Hex Bolts, (4) 8mm Flat Washers, (2) 8mm Lock Washers and (2) 8mm Hex Nuts, **(Figure 9)**. Adjust light position and tighten hardware.
  - c. Follow light manufacturer’s instructions to wire the light to the vehicle’s electrical system once Bumper has been fully installed.
9. Determine if the vehicle is equipped with an adaptive cruise control, (ACC), and if equipped, note the design of the sensor. **Vehicles without ACC**, skip to **Step 12**.
10. **Vehicles equipped with ACC sensor**, remove the rubber plugs from the top of the Bumper if equipped. Attach the ACC Bracket to the front of the bumper with (2) 8mm x 25mm Hex Bolts, (4) 8mm Flat Washers, (2) 8mm Lock Washers and (2) 8mm Hex Nuts, **(Figure 10)**.
  - a. **NOTE:** On some Bumpers, drilling may be required on front trim of Bumper. Select the ACC Bracket. Hold the Bracket up against the center of the front trim on the Bumper, **(Figure 10)**. Use the ACC Bracket as a guide and mark through the center of the slots on the Bracket and onto the Bumper trim. Use a 5/16” drill bit to drill (2) holes through the Bumper front trim. **NOTE:** Do not drill too close to the edge of the Bumper trim.  
**Vehicles with early style ACC with mounting tabs on ends.**
    - a. Insert (3) 6mm x 25mm Button Head Bolts through the (3) holes in the ACC Plastic Cover, the ACC Bracket and out through the adaptive cruise control sensor, **(Figure 11)**. Secure with (3) 6mm Flat Washers, (3) 6mm Lock Washers and (3) 6mm Hex Nuts, **(Figure 12)**.
    - b. Tighten all ACC hardware and continue to **Step 11**.**Vehicles with “late” style ACC with tabs on top and bottom.**
    - a. Select the ACC Adapter Plate, **(Figure 13)**.
    - b. Attach the ACC sensor to the back of the Plate with the included (3) 6mm x 25mm Button Head Bolts, (6) 6mm Flat Washers, (3) 6mm Lock Washers and (3) 6mm Hex Nuts, **(Figure 13)**.
    - c. Insert (3) 6mm x 25mm Button Head Bolts through the (3) holes in the ACC Plastic Cover, the ACC Bracket and out through the Adapter Plate. Secure with (3) 6mm Flat Washers, (3) 6mm Lock Washers and (3) 6mm Hex Nuts, **(Figure 14)**.
11. **LED light installation at ends of bumper** (sold separately).
  - a. Insert light into opening and up to mounting slots.
  - b. Follow light manufacturer’s instructions to attach each light to slot in the top of the light opening. On two light systems, attach flood light to outer slot and spot light to inner slot.
  - c. Repeat the above steps for driver side light installation.
  - d. Follow light manufacturer’s instructions to properly wire the light to the vehicle electrical system.
12. With assistance, carefully position the Bumper Assembly up to the inside of the Mounting Brackets, **(Figure 15)**. Temporarily support the weight of the Bumper. **WARNING:** To avoid possible injury or

**FORTIS FRONT BUMPER  
2017-22 FORD SUPER DUTY**

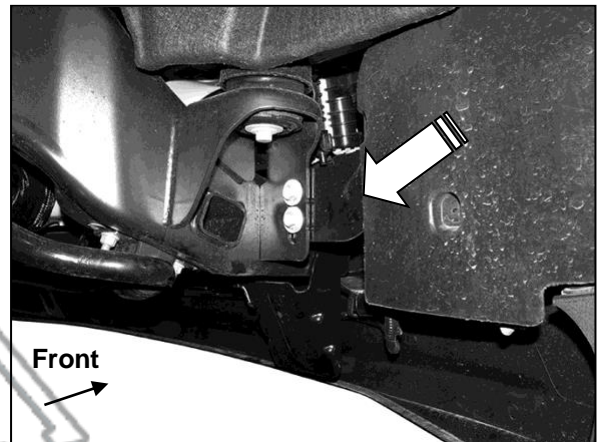
damage to the vehicle, do not proceed until the bumper is fully and safely supported. Models with LED light, check for clearance before fully installing Bumper assembly.

13. Attach the Bumper to the inside of the Mounting Brackets with the included (6) 12mm Hex Bolts, (12) 12mm Flat Washers, (6) 12mm Lock Washers and (6) 12mm Hex Nuts, **(Figure 15)**. Do not tighten.
14. Insert (2) Plastic Plugs into the square holes in the front of the Bumper if front license plate is required. Reuse the factory screws to attach the license plate to the plastic plugs, **(Figure 16)**.
15. Level and adjust the bumper and fully tighten all hardware.
16. Do periodic inspections to the installation to make sure that all hardware is secure and tight.

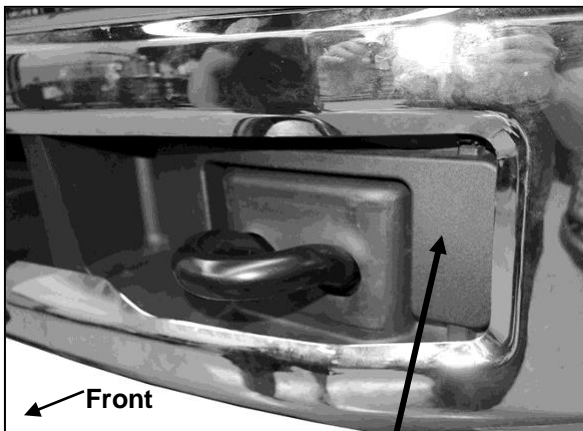
**To protect your investment**, Do not use any type of polish or wax that may contain abrasives that could damage the finish. Mild soap may be used to clean the Front Bumper assembly.



**(Fig 1) Unplug wire harness from behind bumper (driver side pictured)**



**(Fig 2) Remove outer bumper support brackets between frame and bumper (arrow)**



**(Fig 3) Remove plastic cover around tow hook**

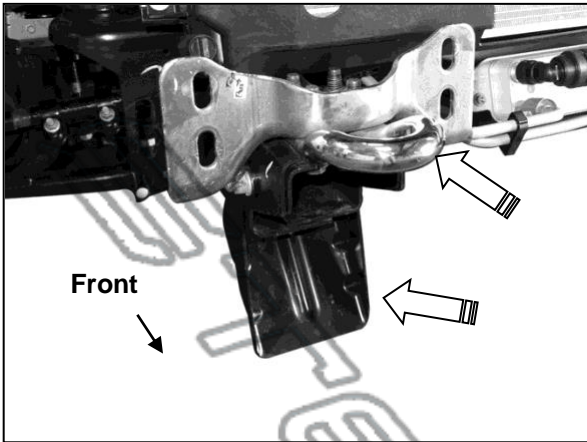


**(Fig 4) Remove bumper bolts (driver/left side pictured)**

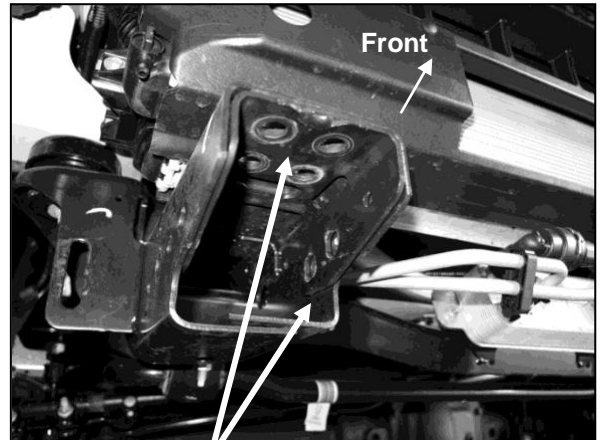
**WARNING!** Do not remove bumper bolts unless the bumper is properly supported on blocks or stands or it may fall.



**FORTIS BULLNOSE FRONT BUMPER  
2017-22 FORD SUPERDUTY**

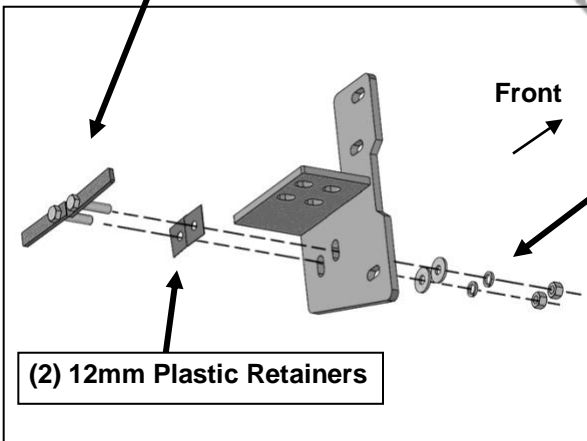


**(Fig 5) Remove tow hook assembly and lower frame extension**



**(Fig 6) Passenger/right frame mounting location**

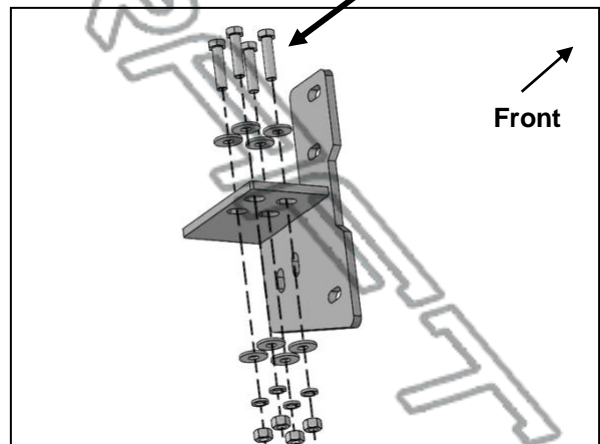
**(2) 12mm Bolt Plates**



**(Fig 7) Attach passenger/right side Mounting Bracket to the inner side of frame**

**(2) 12mm Flat Washers  
(2) 12mm Lock Washers  
(2) 12mm Hex Nuts**

**(4) 12mm Hex Bolts  
(8) 12mm Flat Washers  
(4) 12mm Lock Washers  
(4) 12mm Hex Nuts**



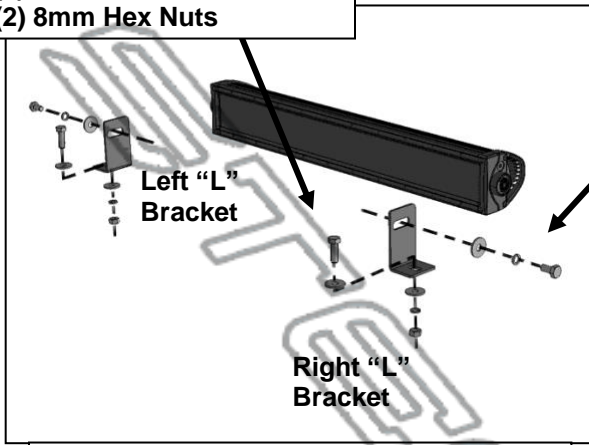
**(Fig 8) Attach passenger/right Mounting Bracket to top of frame**

**FORTIS BULLNOSE FRONT BUMPER  
2017-22 FORD SUPERDUTY**

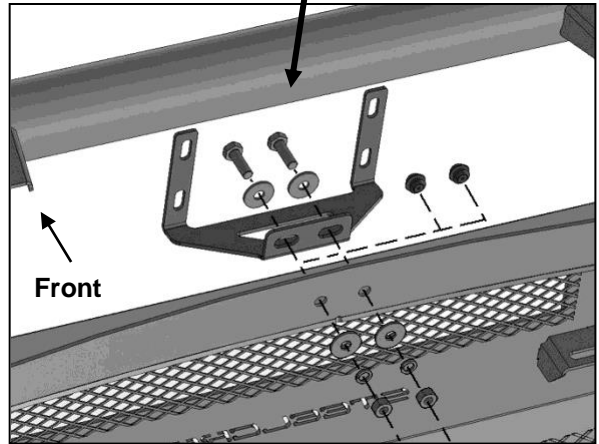
- (2) 8mm x 25mm Hex Bolts
- (4) 8mm Flat Washers
- (2) 8mm Lock Washers
- (2) 8mm Hex Nuts

- (2) 8mm x 16mm Hex Bolts
- (2) 8mm Lock Washers
- (2) 8mm Flat Washers

- (2) 8mm x 25mm Hex Bolts
- (4) 8mm Flat Washers
- (2) 8mm Lock Washers
- (2) 8mm Hex Nuts

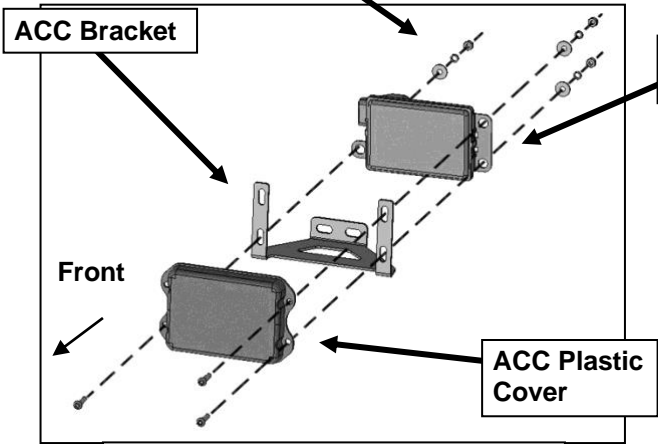


(Fig 9) Example of LED Light Installation

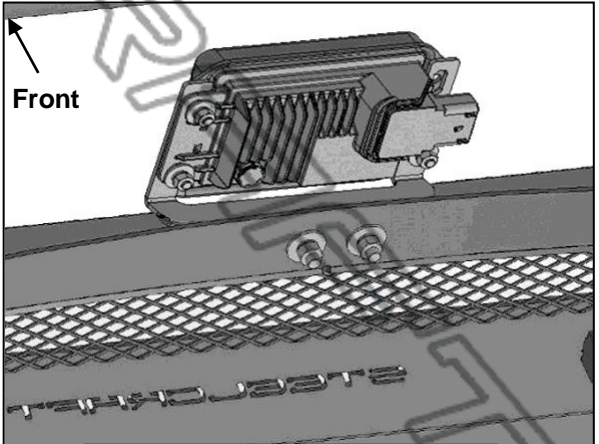


(Fig 10) Attach ACC Bracket to top of Bumper

- (3) 6mm Button Head Bolts
- (3) 6mm Flat Washers
- (3) 6mm Lock Washers
- (3) 6mm Hex Nuts



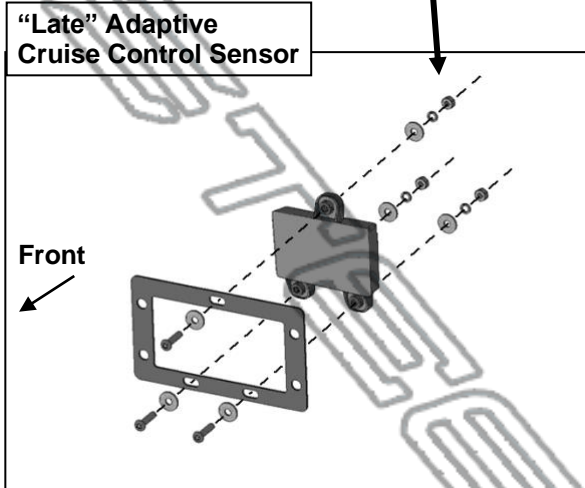
(Fig 11) Attach "Early" ACC and plastic cover to the ACC Bracket



(Fig 12) "Early" ACC assembly attached to front of Bumper

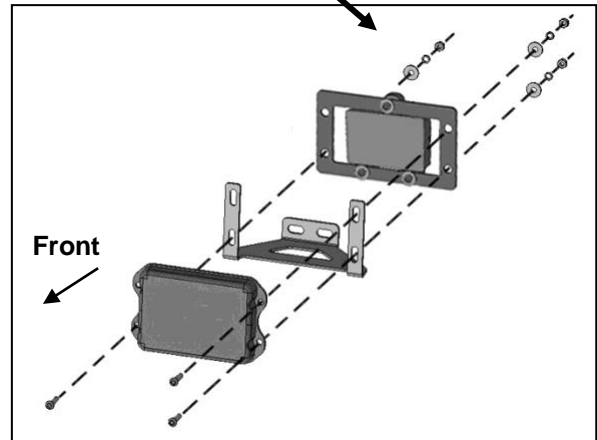
FORTIS BULLNOSE FRONT BUMPER  
2017-22 FORD SUPERDUTY

- (3) 6mm Button Head Bolts
- (3) 6mm Flat Washers
- (3) 6mm Lock Washers
- (3) 6mm Hex Nuts

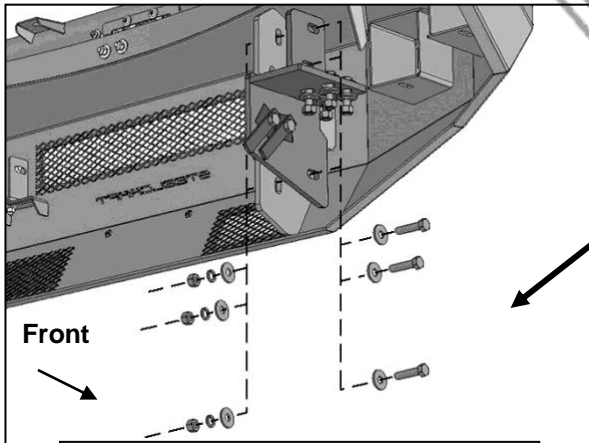


(Fig 13) Attach "Late" ACC sensor to back of Adapter Bracket

- (3) 6mm x 25mm Button Head Bolts
- (3) 6mm Flat Washers
- (3) 6mm Lock Washers
- (3) 6mm Hex Nuts



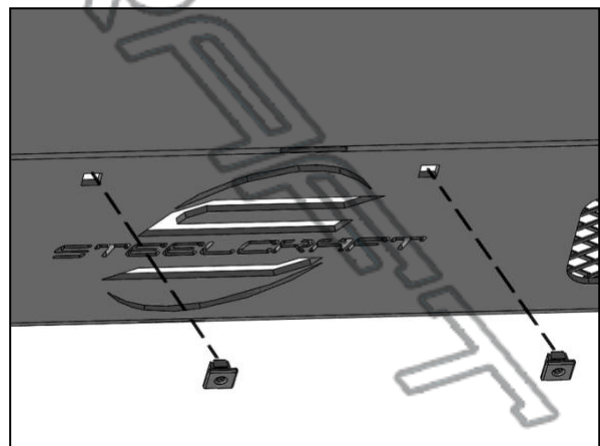
(Fig 14) Attach Adapter Bracket with "Late" ACC and plastic cover to the ACC Bracket



(Fig 15) Attach passenger/right side of Bumper to Mounting Bracket

- (3) 12mm Hex Bolts
- (6) 12mm Flat Washers
- (3) 12mm Lock Washers
- (3) 12mm Hex Nuts

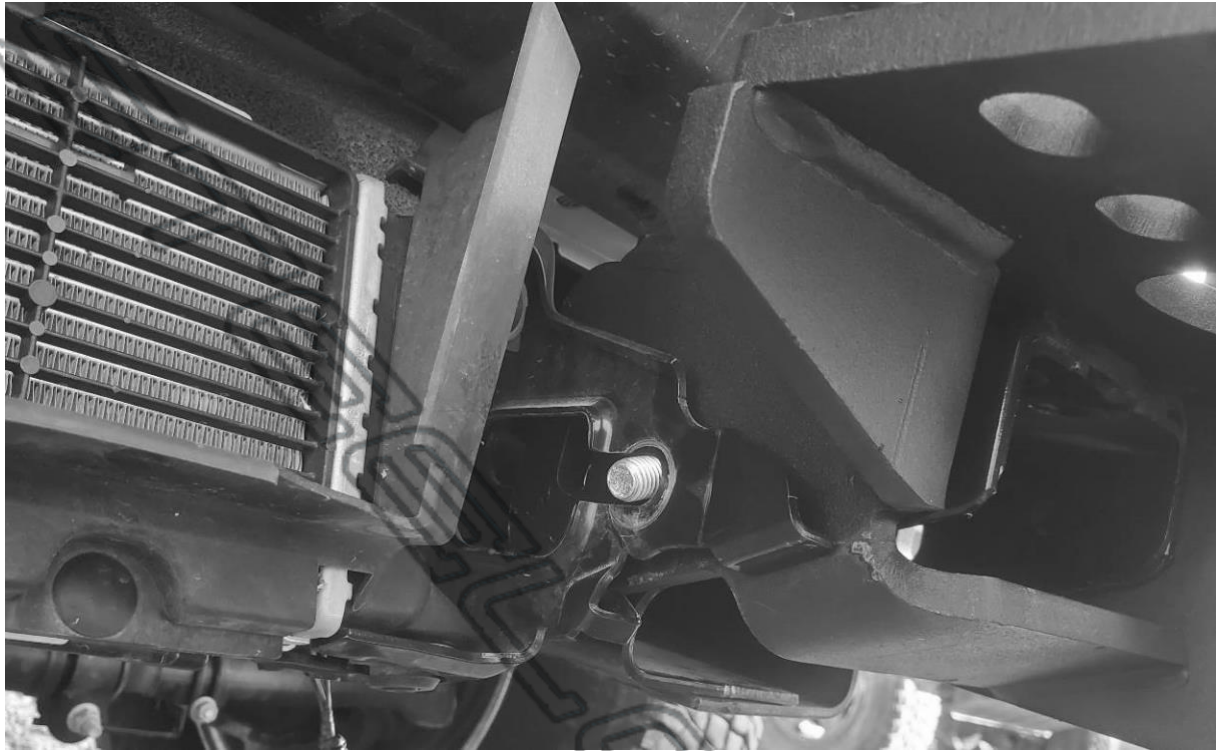
**WARNING!** Do not crawl under bumper unless the bumper is properly supported on blocks or stands or the bumper may fall.



(Fig 16) Push plastic plugs into holes in Bumper for license plate if required

**Supplemental Installation Steps:** Some 2022 F-350's will have an extra cooler between frame.

- Trim tabs off OE cooler brackets so they rest flat against the bumper brackets:



- Install cooler onto forward bolt plate:

