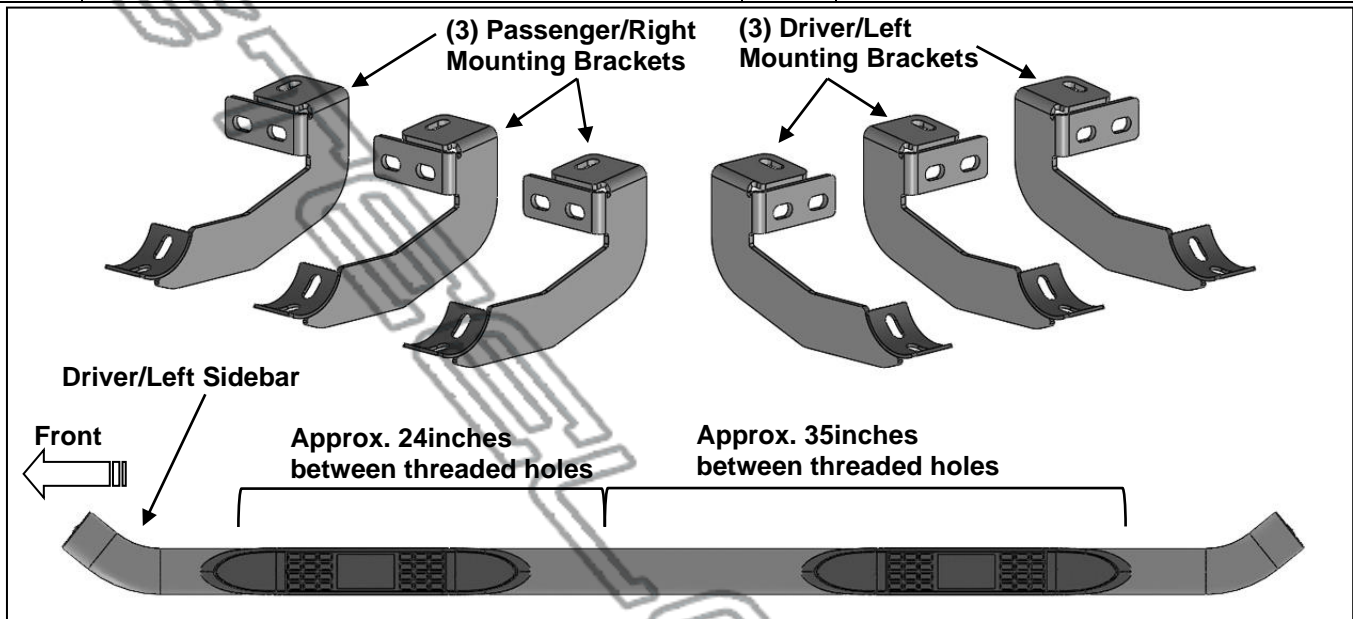


**3INCH SIDEBAR  
2020 FORD EXPLORER**

**PARTS LIST:**

|   |                                     |    |                                  |
|---|-------------------------------------|----|----------------------------------|
| 1 | Driver/Left Sidebar                 | 6  | 10mm Clip Nuts                   |
| 1 | Passenger/Right Sidebar             | 12 | 8-1.25mm x 25mm Hex Nuts         |
| 3 | Driver/Left Mounting Brackets       | 12 | 8-1.25mm x 25mm Combo Bolts      |
| 3 | Passenger/Right Mounting Brackets   | 24 | 8mm x 24mm OD x 2mm Flat Washers |
| 6 | 10-1.5mm x 30mm Hex Bolts           | 12 | 8mm Lock Washers                 |
| 6 | 10mm Lock Washers                   | 12 | 8mm Hex Nuts                     |
| 6 | 10mm x 30mm OD x 2.5mm Flat Washers |    |                                  |



**PROCEDURE:**

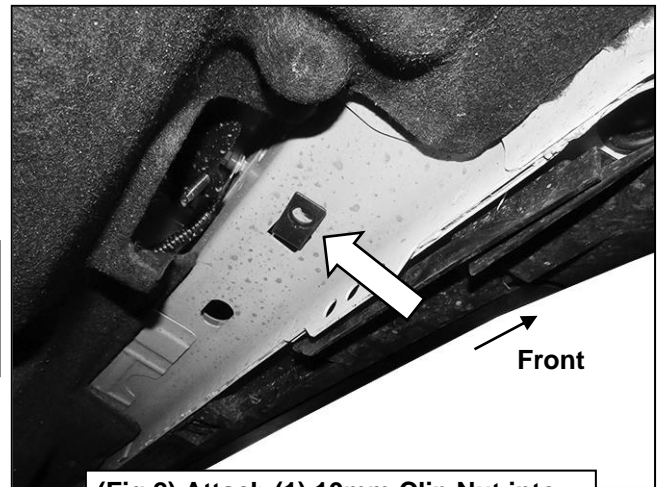
- 1. REMOVE CONTENTS FROM BOX. VERIFY ALL PARTS ARE PRESENT. READ INSTRUCTIONS CAREFULLY BEFORE STARTING INSTALLATION.**
- Starting from under the front Driver/Left side, temporarily remove the plastic side panel. Move to the floor panel, locate the square holes and (2) round holes in the pinch weld, **(Figure 1)**. Select (1) 10mm Clip Nut. Attach the Clip Nut into the square hole in the floor panel, **(Figure 2)**.
- Select (1) Driver/Left Mounting Bracket. Attach the Bracket to the 10mm Clip Nut with (1) 10mm Hex Bolt, (1) 10mm Lock Washer and (1) 10mm Flat Washer, **(Figures 3 & 5)**. Do not tighten hardware.
- Attach the Mounting Bracket to the pinch weld with (2) 8mm Hex Bolts, (4) 8mm Flat Washers, (2) 8mm Lock Washers and (2) 8mm Hex Bolts, **(Figure 4)**. Do not tighten hardware.
- Move along the body to the center mounting location, **(Figure 6)**. Repeat **Steps 2—4** to attach the Mounting Bracket to the center location, **(Figure 7)**. Do not tighten hardware.
- Move to the rear mounting location. Repeat **Steps 2—4** to attach the remaining (1) Driver/Left Mounting Bracket, **(Figures 8 & 9)**. Do not tighten hardware.
- Reattach the plastic side panel.
- Unwrap the Driver/Left Sidebar. Carefully place Sidebar on the brackets. **IMPORTANT:** Do not slide or rotate Sidebar on cradles, or damage to the finish may result. Attach Sidebar to the Mounting Brackets with (6) 8mm Combo Bolts. Do not tighten hardware at this time, **(Figures 10—13)**.
- Level and adjust Sidebar and tighten all hardware.
- Repeat **Steps 2—8** to attach the Passenger/Right Sidebar.
- Do periodic inspections to the installation to make sure that all hardware is secure and tight.

**To protect your investment,** Do not use any type of polish or wax that may contain abrasives that could damage the finish. Mild soap may be used to clean the Sidebar.

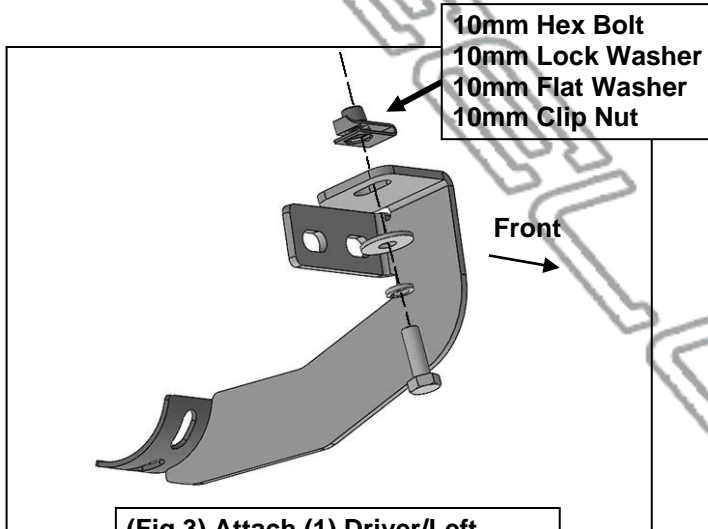
Driver/Left side Installation Pictured



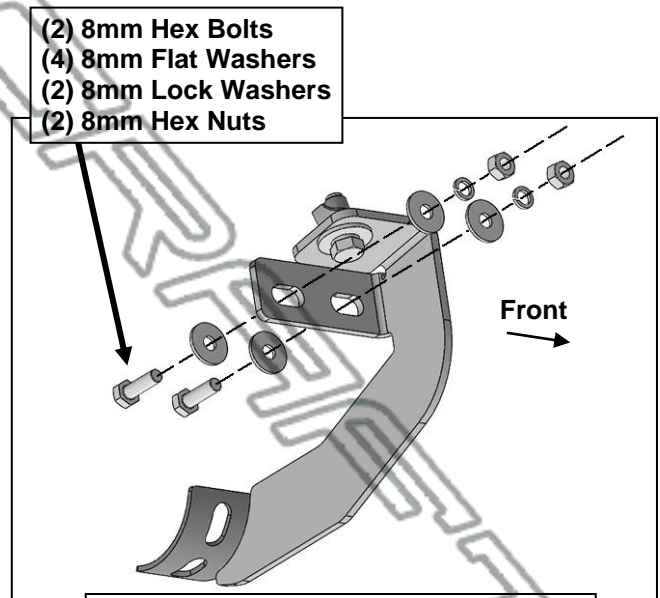
(Fig 1) Driver/Left front mounting location



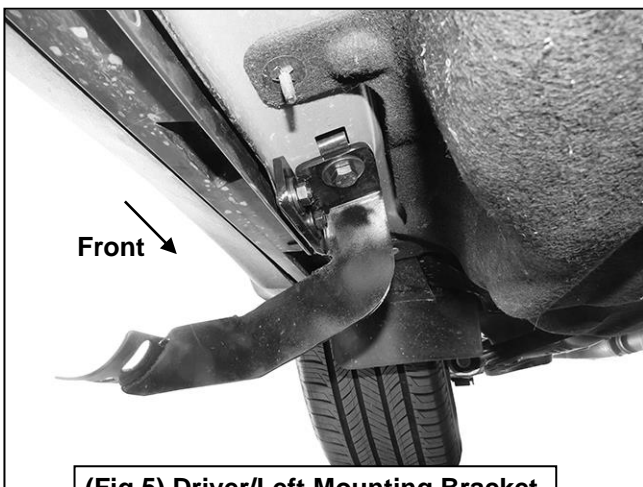
(Fig 2) Attach (1) 10mm Clip Nut into the Driver/Left front mounting location



(Fig 3) Attach (1) Driver/Left Mounting Bracket to the Clip Nut

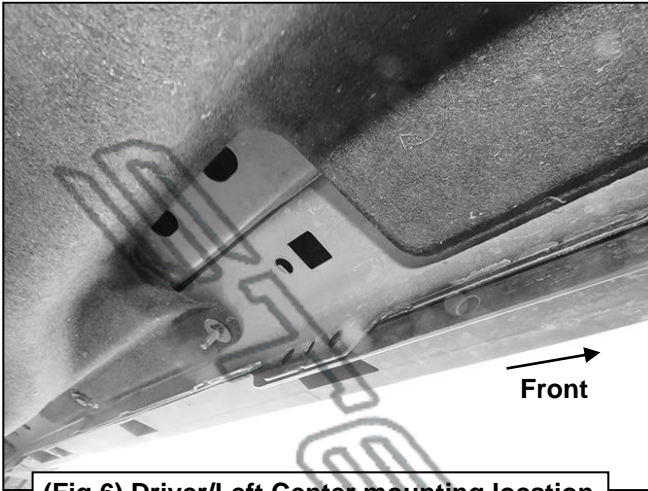


(Fig 4) Attach the Driver/Left Mounting Bracket to the pinch weld

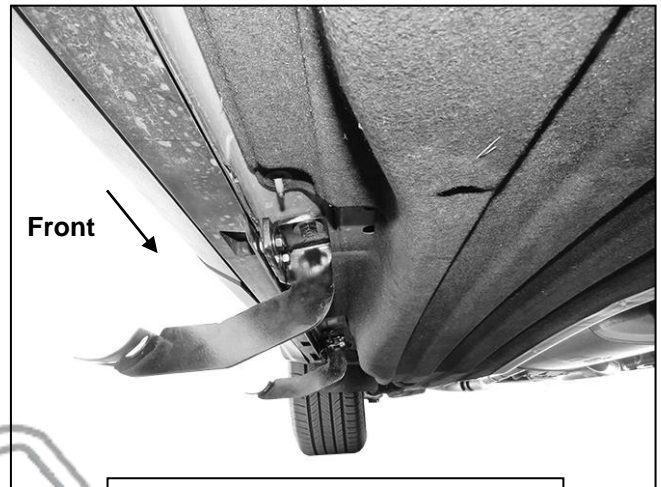


(Fig 5) Driver/Left Mounting Bracket attached to the front location

Driver/Left side Installation Pictured



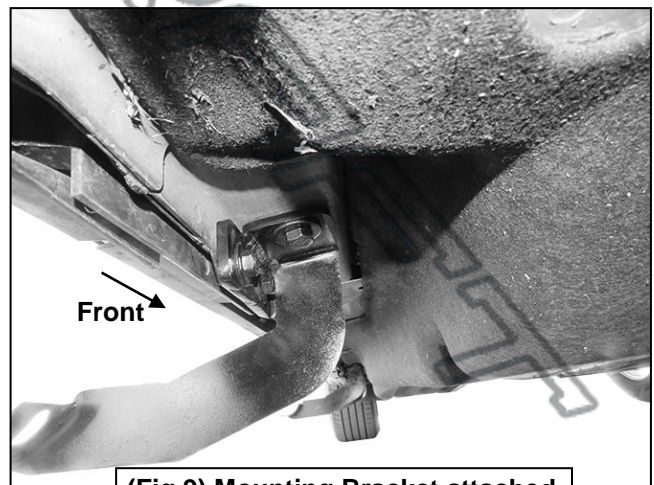
(Fig 6) Driver/Left Center mounting location



(Fig 7) Mounting Bracket attached to the Driver/Left center location

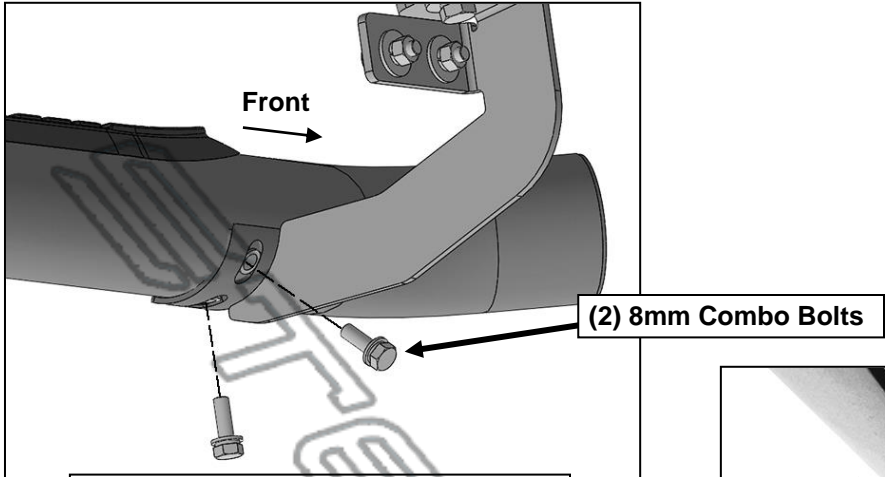


(Fig 8) Driver/Left rear mounting location

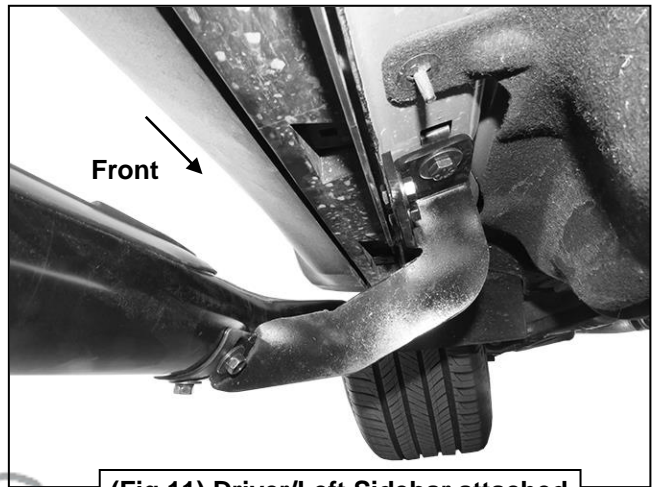


(Fig 9) Mounting Bracket attached to the Driver/Left rear location

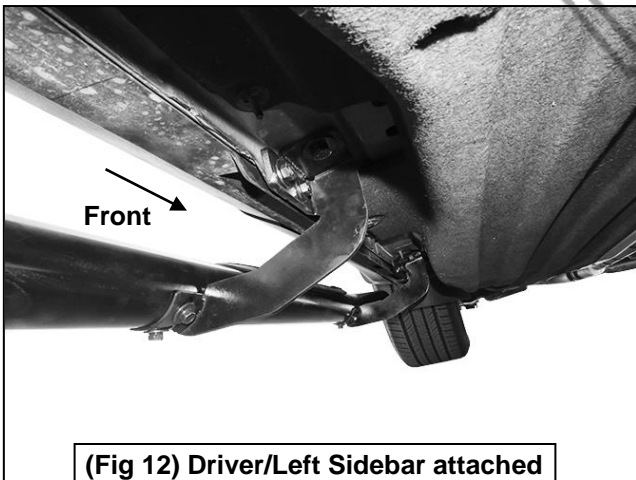
Driver/Left side Installation Pictured



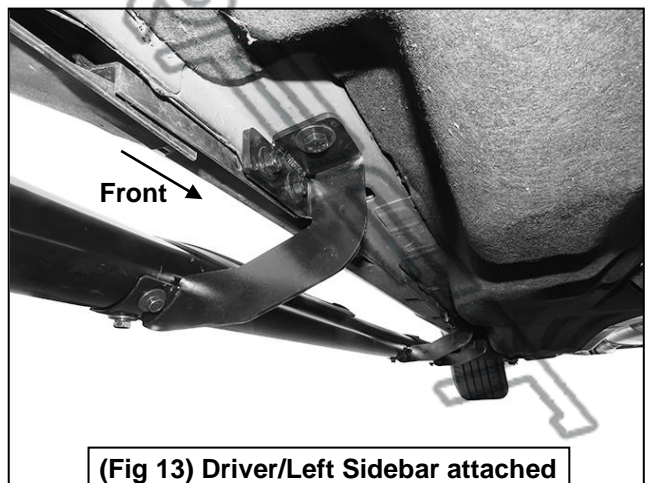
(Fig 10) Attach the Driver/Left Sidebar to the front Mounting Bracket



(Fig 11) Driver/Left Sidebar attached to the front Mounting Bracket



(Fig 12) Driver/Left Sidebar attached to the center Mounting Bracket



(Fig 13) Driver/Left Sidebar attached to the rear Mounting Bracket