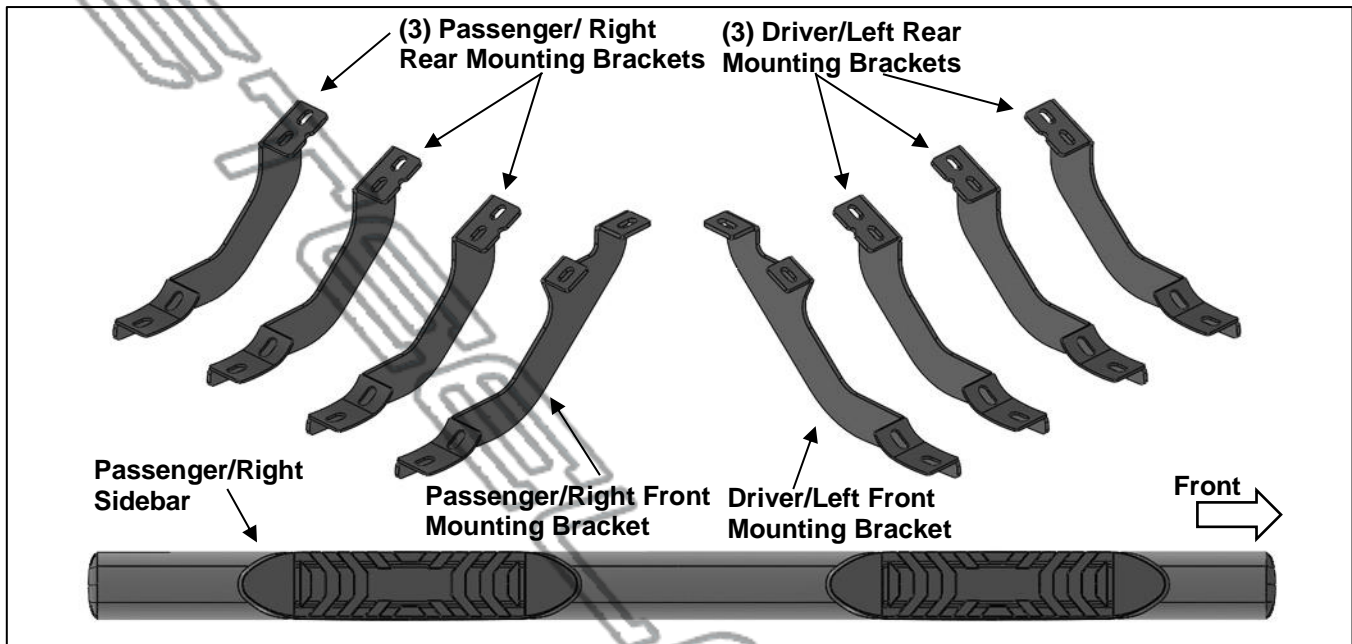


**5INCH OVAL STRAIGHT SIDEBAR
2022-2023 TOYOTA TUNDRA CREWMAX**

PARTS LIST:

1	Driver/Left Sidebar	3	Passenger/Right Rear Mounting Brackets
1	Passenger/Right Sidebar	16	8mm x 30mm Hex Bolts
1	Driver/Left Front Mounting Bracket	16	8mm x 25mm Combo Bolts
1	Passenger/Right Front Mounting Bracket	16	8mm Lock Washers
3	Driver/Left Rear Mounting Brackets	16	8mm x 24mm OD x 2mm Flat Washers

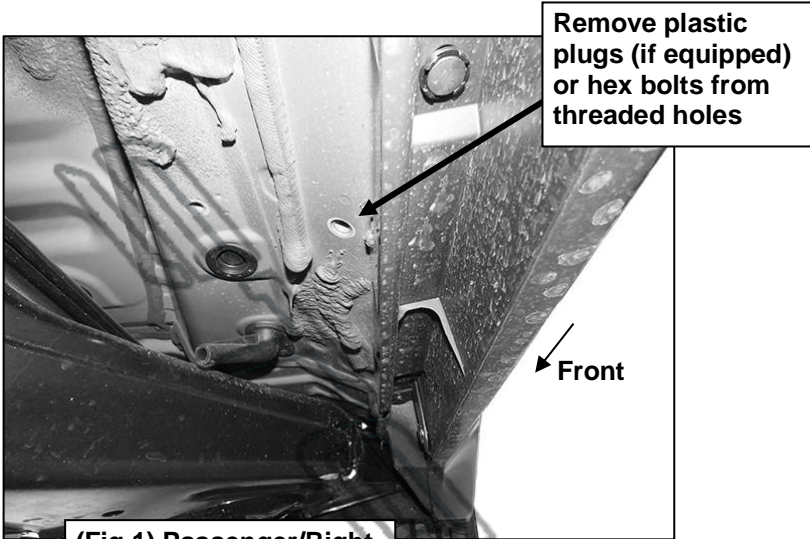


PROCEDURE:

- 1. REMOVE CONTENTS FROM BOX. VERIFY ALL PARTS ARE PRESENT. READ INSTRUCTIONS CAREFULLY. ASSISTANCE IS HIGHLY RECOMMENDED.**
- Starting on the Passenger/Right side of the vehicle and remove the plastic plugs or hex bolts from the factory mounting location along the bottom of the body, **(Figures 1 & 4)**.
- Select the Passenger/Right Front Mounting Bracket. Attach the Bracket to the front location with (2) 8mm Hex Bolts, (2) 8mm Lock Washers and (2) 8mm Flat Washers, **(Figures 2 & 3)**. Do not tighten hardware.
- Repeat **Steps 2 & 3** to attach the (3) Rear Mounting Brackets, **(Figures 4—8)**.
- Unwrap the Passenger/Right Sidebar. Place the Sidebar on top of the (4) Mounting Brackets. **IMPORTANT:** Do not slide the Sidebar on the Brackets, (front to back or rotate), or damage to the finish may result. Attach the Sidebar to the Brackets with (8) 8mm Flat Washers and (8) 8mm Nylon Lock Nuts, **(Figure 9)**. Do not tighten hardware.
- Level and adjust the Sidebar and tighten all hardware.
- Repeat **Steps 1—8** to attach the Driver/Left Sidebar.
- Do periodic inspections to the installation to make sure that all hardware is secure and tight.

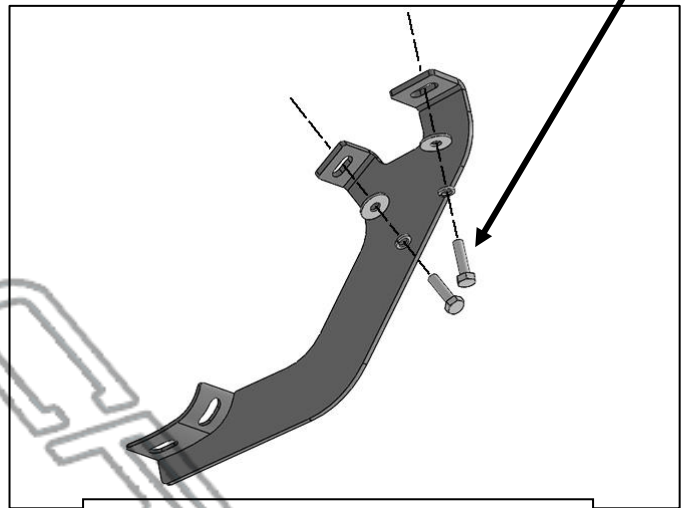
To protect your investment, Do not use any type of polish or wax that may contain abrasives that could damage the finish. Use only mild soap to clean the Sidebars.

Passenger/Right Side Installation Pictured



(Fig 1) Passenger/Right front mounting location

- (2) 8mm Hex Bolts
- (2) 8mm Lock Washers
- (2) 8mm Flat Washers



(Fig 2) Attach the Driver/Left Front Mounting Bracket to the front location



(Fig 3) Passenger/Right Front Mounting Bracket attached to the front location

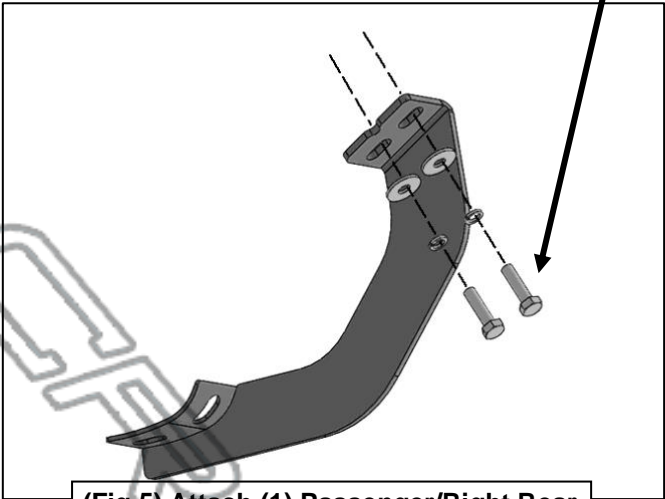
5INCH OVAL STRAIGHT SIDEBAR
2022-2023 TOYOTA TUNDRA CREWMAX

Passenger/Right Side Installation Pictured



(Fig 4) Driver/Left center (2nd) location

- (2) 8mm Hex Bolts
- (2) 8mm Lock Washers
- (2) 8mm Flat Washers



(Fig 5) Attach (1) Passenger/Right Rear Mounting Bracket to the 2nd location



(Fig 6) (1) Passenger/Right Rear Mounting Bracket attached to the 2nd location

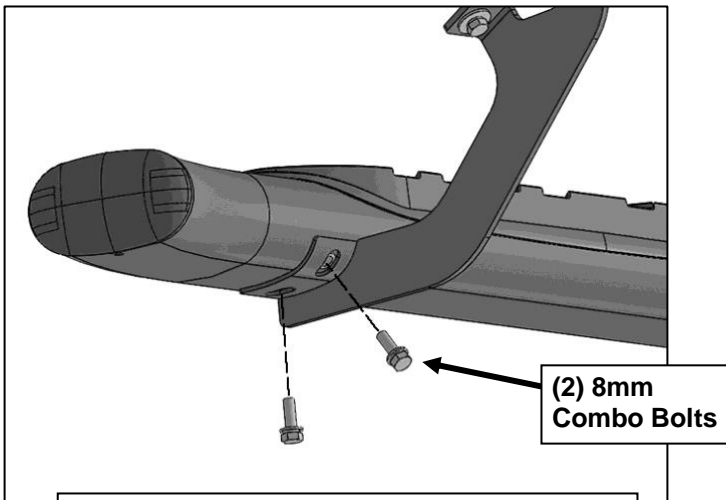
Passenger/Right Side Installation Pictured



(Fig 7) (1) Passenger/Right Rear Mounting Bracket attached to the 3rd location



(Fig 8) (1) Passenger/Right Rear Mounting Bracket attached to the rear location



(2) 8mm
Combo Bolts

(Fig 9) Attach the Passenger/Right Sidebar to the (4) Mounting Brackets