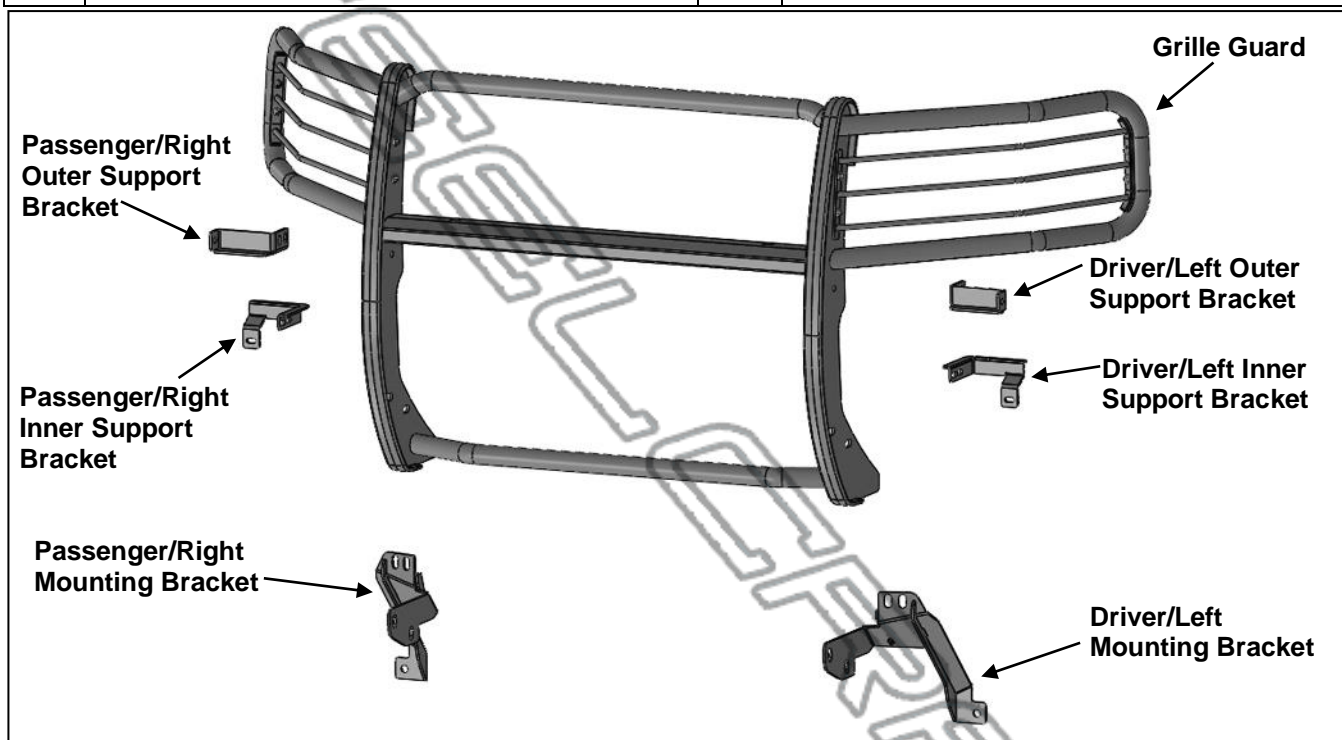


PARTS LIST:

| | | | |
|---|---------------------------------------|----|--|
| 1 | Grille Guard | 8 | 10mm x 27mm OD x 3mm Flat Washers |
| 1 | Driver/Left Mounting Bracket | 4 | 10mm Nylon Lock Nuts |
| 1 | Passenger/Right Mounting Bracket | 2 | 8mm x 30mm Button Head Bolts |
| 1 | Driver/Left Inner Support Bracket | 4 | 8mm x 30mm Hex Bolts |
| 1 | Passenger/Right Inner Support Bracket | 10 | 8mm x 22mm OD x 2mm Large Flat Washers |
| 1 | Driver/Left Outer Support Bracket | 2 | 8mm x 16mm OD x 1.6mm Small Flat Washers |
| 1 | Passenger/Right Outer Support Bracket | 6 | 8mm Nylon Lock Nuts |
| 4 | 12mm x 40mm Hex Bolts | 2 | 6mm x 25mm Hex Bolts |
| 8 | 12mm x 32mm OD x 3mm Flat Washers | 2 | 6mm Lock Washers |
| 4 | 12mm Lock Washers | 2 | 6mm x 18mm OD x 1.6mm Flat Washers |
| 4 | 12mm Hex Nuts | 1 | 5mm Hex Wrench |
| 4 | 10mm x 40mm Hex Bolts | | |



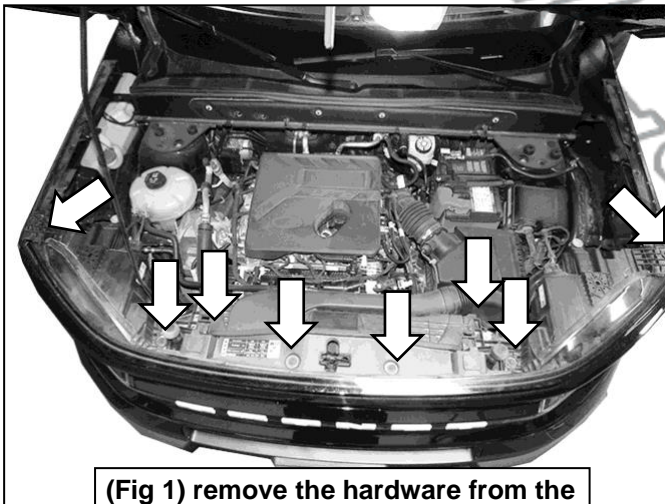
PROCEDURE:

REMOVE CONTENTS FROM BOX. VERIFY ALL PARTS ARE PRESENT. READ INSTRUCTIONS CAREFULLY BEFORE STARTING INSTALLATION. CUTTING MAY BE REQUIRED. INSTALLATION MAY INTERFERE WITH BUMPER MOUNTED PARKING SENSORS AND CAMERA. ASSISTANCE IS RECOMMENDED.

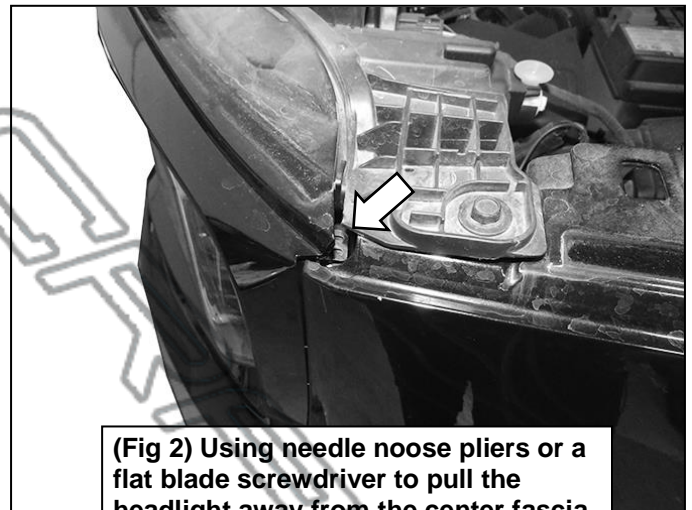
- Starting at the front of the vehicle, open the hood and remove the (8) bolts from the top of the plastic cover, **(Figure 1)**. **IMPORTANT:** On some models the plastic bumper may need to be trimmed or completely cut, **(Figure 17)**. Use a sharp knife or hacksaw blade and carefully cut out the pocket to clear the Bull Bar Brackets. Only cut enough to clear the Brackets.
- From the wheel wells, remove all the forward hardware attaching the cover to the bumper, **(Figure 3)**.
- Remove the hardware attaching the bottom of the bumper to the vehicle, **(Figure 4)**.
- From inside the wheel well, locate the (3) bolts attaching the bumper to the fender frame, **(Figure 5)**.
- Gently but firmly pull the front of the fender away from the vehicle, **(Figure 6)**.
- Remove the electrical plugs from the headlights and inside the wheel wells, **(Figures 7 & 8)**.
- With assistance, carefully remove the front bumper and headlights from the front of the vehicle, **(Figure 9)**. Place the bumper in a clean location.
- Locate the (2) outer threaded studs with flange nuts. Temporarily remove the factory nuts from the crossbar, **(Figures 10 & 11)**.

9. Select the Driver/Left Mounting Bracket, **(Figure 12)**. Attach the top of the Bracket to the mounting tab with (2) 10mm Hex Bolts, (4) 10mm Flat Washers and (2) 10mm Nylon Lock Nuts, **(Figures 12 & 13)**. Reuse the factory flange nut to attach the bottom of the bracket to the threaded stud, **(Figure 13)**. Do not tighten hardware. Repeat this **Step** to attach the Passenger/Right Mounting Bracket.
10. Locate and remove the bolts on each side of the plastic scoop on the crossbar, **(Figure 14)**. Select the Driver/Left Inner Support Bracket. Attach the Inner Support Bracket to the crossbar with (1) 6mm Hex Bolt, (1) 6mm Lock Washer and (1) 6mm Flat Washer, **(Figure 15)**. Do not tighten hardware.
11. Select the Driver/Left Outer Support Bracket. Attach the Outer Bracket to the Inner Bracket with (2) 8mm Hex Bolts, (4) 8mm x 24mm Large Flat Washers and (2) 8mm Nylon Lock Nuts, **(Figure 16)**. Do not tighten hardware.
12. Repeat **Steps 10 & 11** to attach the Passenger/Right Support Brackets.
13. Attach the Grille Guard to the Mounting Brackets with (4) 12mm Hex Bolts, (8) 12mm Flat Washers, (4) 12mm Lock Washers and (4) 12mm Hex Nuts, **(Figure 18)**. Do not tighten hardware.
14. Attach the Grille Guard to the Outer Support Brackets with (2) 8mm Button Head Bolts, (4) 8mm x 18mm Small Flat Washers and (2) 8mm Nylon Lock Nuts, **(Figure 19)**. Do not tighten hardware.
15. Level the Grille Guard and tighten **ONLY** the Mounting and Support Bracket hardware.
16. Temporarily remove the Grille Guard from the Mounting and Support Brackets. Reattach the bumper to the vehicle only after it has been cut to clear the Brackets.
17. Reattach the Grille Guard and tighten all hardware.
18. Do periodic inspections to the installation to make sure that all hardware is secure and tight.

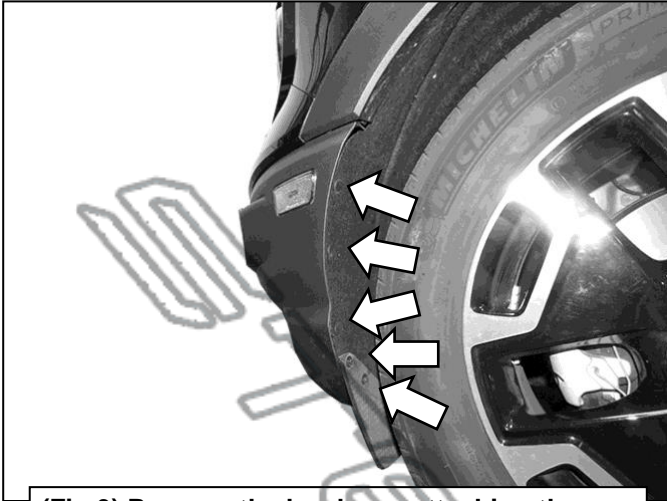
To protect your investment, Do not use any type of polish or wax that may contain abrasives that could damage the finish. Mild soap may be used also to clean the Grille Guard.



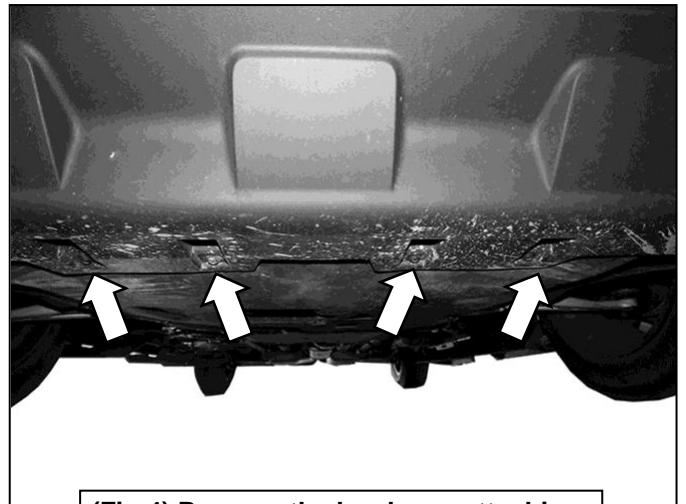
(Fig 1) remove the hardware from the top of the grille underneath the hood



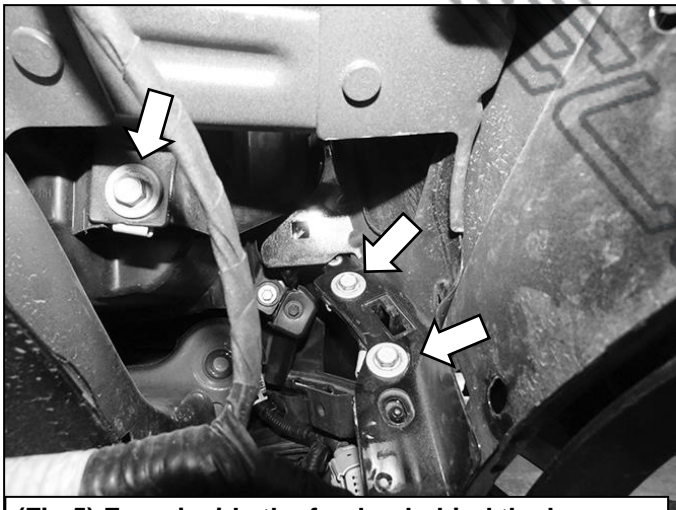
(Fig 2) Using needle nose pliers or a flat blade screwdriver to pull the headlight away from the center fascia



(Fig 3) Remove the hardware attaching the wheel well and mud flaps to the front bumper



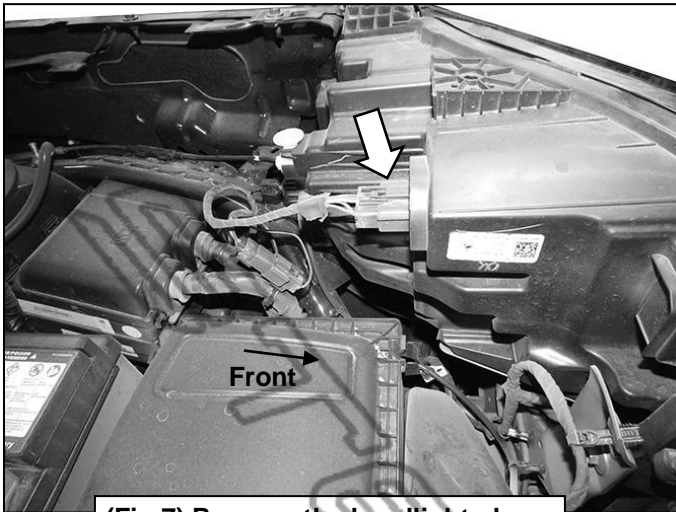
(Fig 4) Remove the hardware attaching the bottom of the bumper to the vehicle



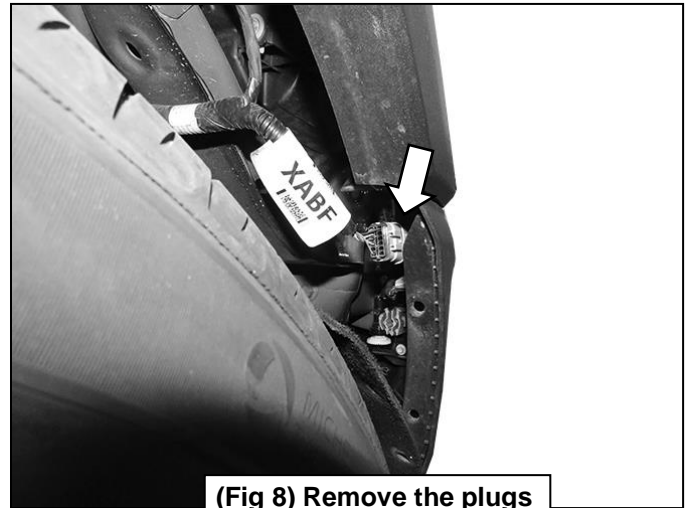
(Fig 5) From inside the fender, behind the bumper, remove hardware attaching the front bumper



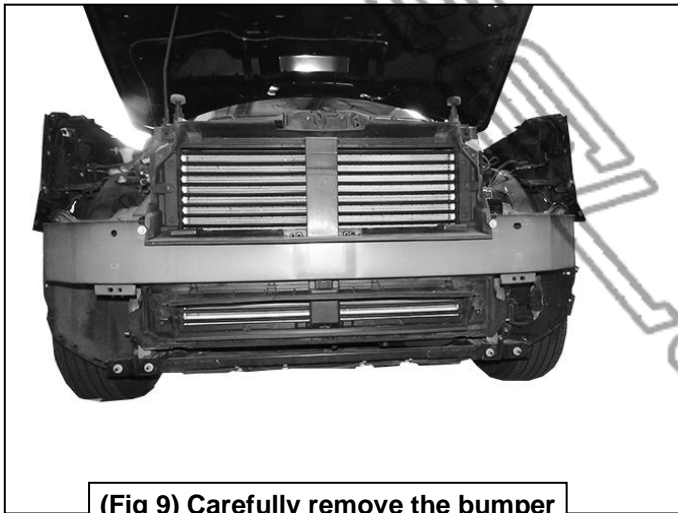
(Fig 6) Gently but firmly, pull the front of the fender out from the bumper



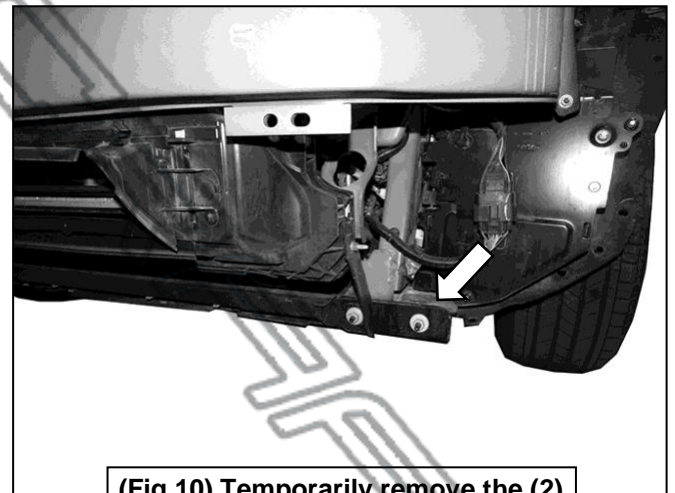
(Fig 7) Remove the headlight plugs



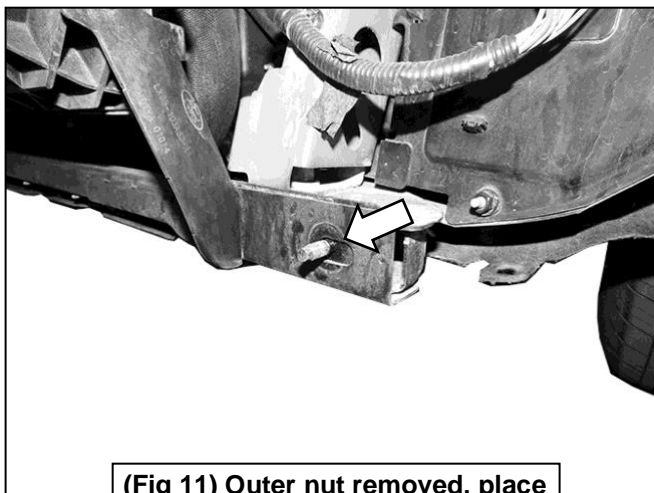
(Fig 8) Remove the plugs inside the fenders



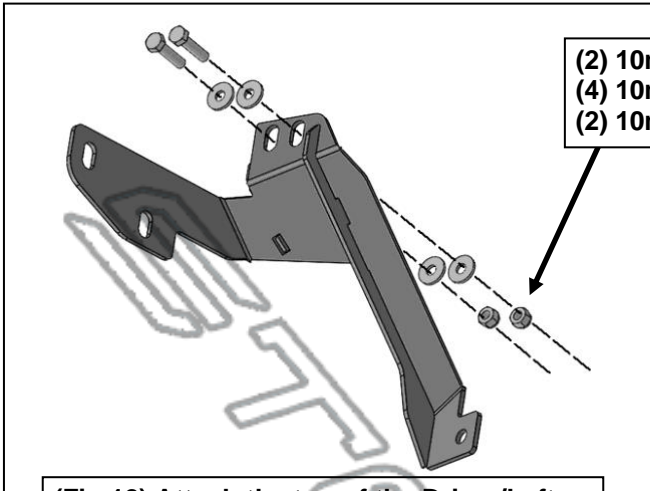
(Fig 9) Carefully remove the bumper and place in a safe location. Remove the (2) outer nuts from the lower crossbar



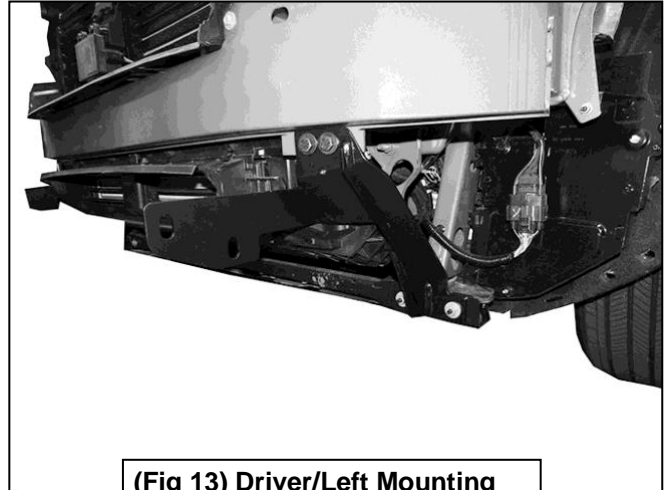
(Fig 10) Temporarily remove the (2) outer nuts from the lower crossbar



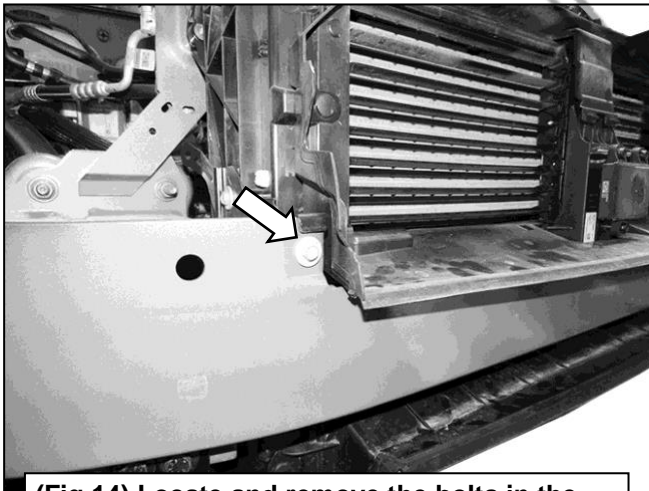
(Fig 11) Outer nut removed, place the nuts in a safe location



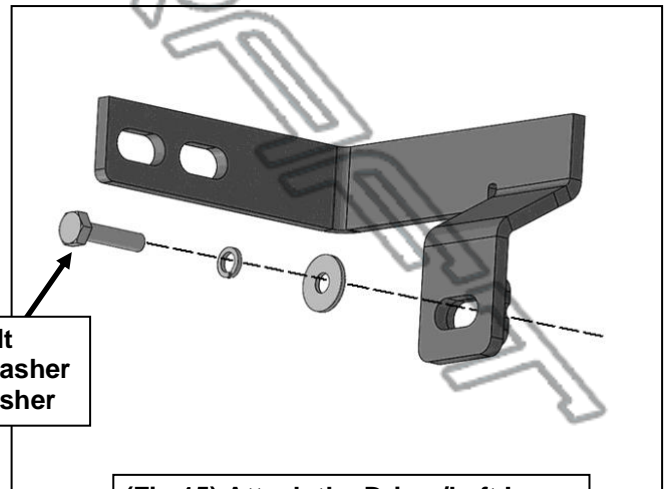
(Fig 12) Attach the top of the Driver/Left Mounting Bracket to the (2) holes in fig 10. Reuse the factory nuts to attach the bottom of the Bracket to the threaded stud



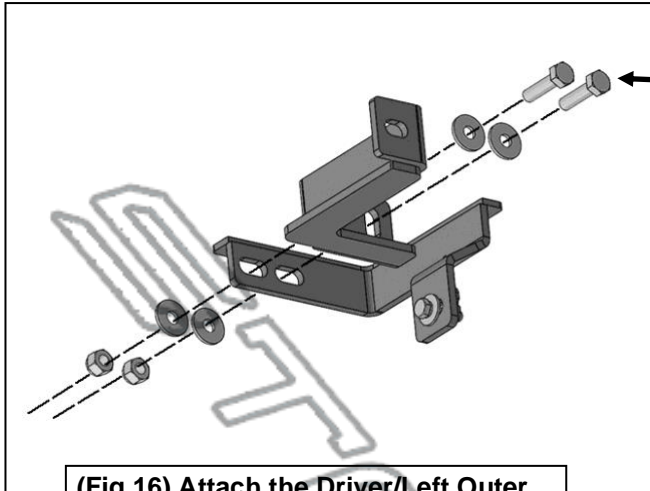
(Fig 13) Driver/Left Mounting Bracket attached to the vehicle



(Fig 14) Locate and remove the bolts in the upper crossbar (Passenger/Right side shown)



(Fig 15) Attach the Driver/Left Inner Support Bracket to the crossbar

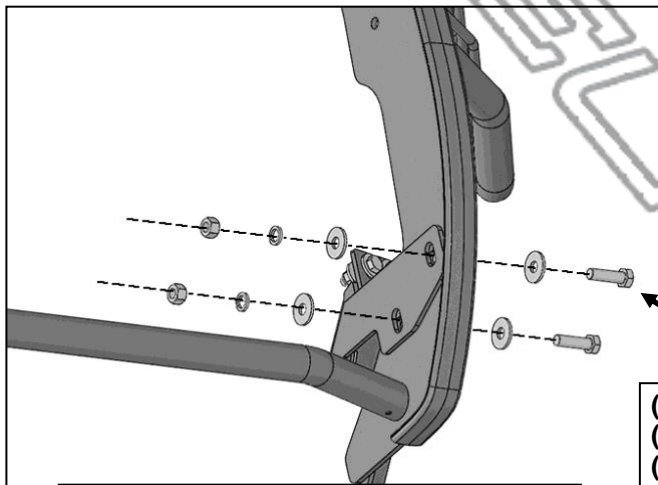


- (2) 8mm Hex Bolts
- (4) 8mm Large Flat Washer
- (2) 8mm Nylon Lock Nuts

(Fig 16) Attach the Driver/Left Outer Support Bracket to the Inner Bracket



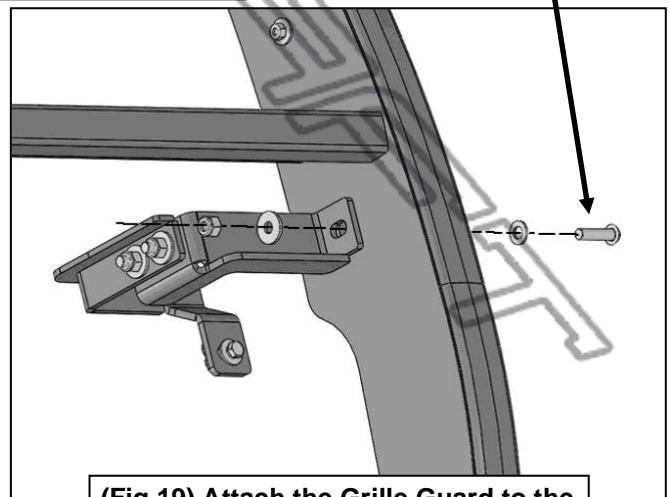
(Fig 17) From behind the bumper mark the indicated area with tape and with a hacksaw or sharp knife, make small cuts



(Fig 18) Attach the Grille Guard to the outer faces of the Mounting Brackets

- (2) 12mm Hex Bolts
- (4) 12mm Flat Washers
- (2) 12mm Lock Washers
- (2) 12mm Hex Nuts

- 8mm Button Head Bolt
- 8mm Small Flat Washer
- 8mm Large Flat Washer
- 8mm Nylon Lock Nut



(Fig 19) Attach the Grille Guard to the outer faces of the Support Brackets