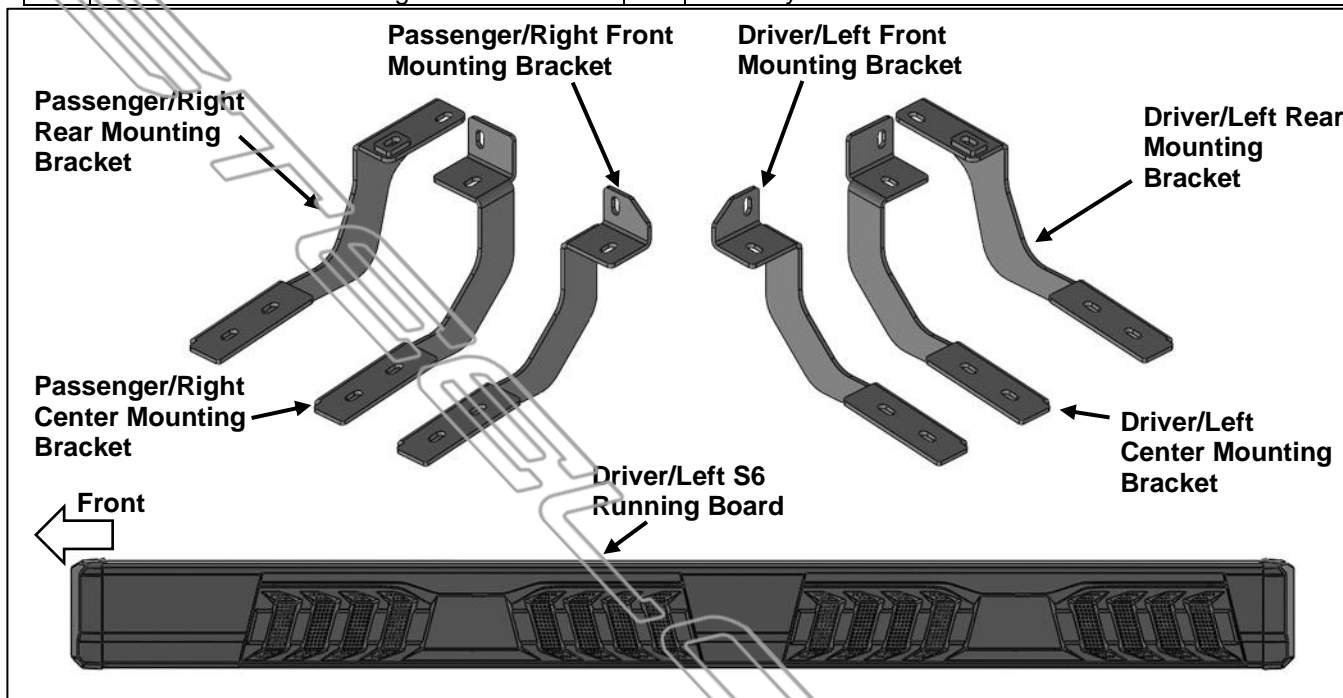


**PARTS LIST:**

1	Driver/Left Sidebar	1	Passenger/Right Rear Mounting Bracket
1	Passenger/Right Sidebar	8	8mm Double Bolt Plates
1	Driver/Left Front Mounting Bracket	12	8mm x 25mm Hex Bolts
1	Passenger/Right Front Mounting Bracket	24	8mm x 24mm OD x 2mm Flat Washers
1	Driver/Left Center Mounting Bracket	12	8mm Lock Washers
1	Passenger/Right Center Mounting Bracket	4	8mm Hex Nuts
1	Driver/Left Rear Mounting Bracket	12	8mm Nylon Lock Nuts



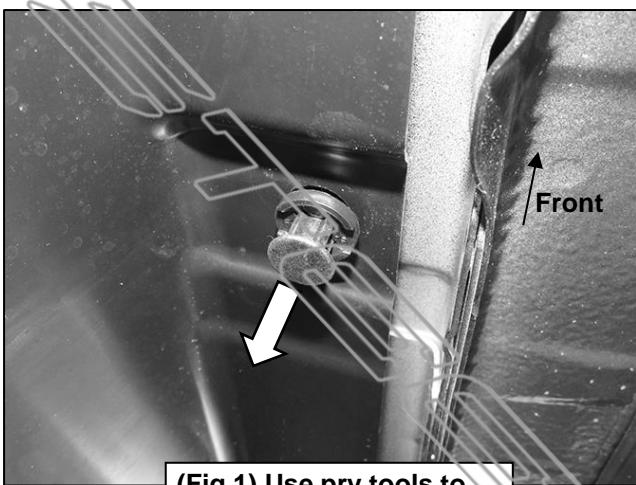
**PROCEDURE:**

1. REMOVE CONTENTS FROM BOX. VERIFY ALL PARTS ARE PRESENT. READ INSTRUCTIONS CAREFULLY. USE ILLUSTRATION TO IDENTIFY BRACKETS.
2. Starting on the Driver/Left front of the vehicle, use pry tools to remove plugs and the cover on the bottom of the vehicle, **(Figure 1)**. Select the Driver/Left Front Mounting Bracket. Attach the Mounting Bracket to the threaded stud on the front location with (1) 8mm Flat Washer, (1) 8mm Lock Washer and (1) 8mm Hex Nut, **(Figures 2—4)**. Do not tighten hardware.
3. Attach the Mounting Bracket to the threaded insert with (1) 8mm Hex Bolt, 8mm Lock Washer and (1) 8mm Flat Washer, **(Figure 2—4)**. Do not tighten hardware.
4. Move along the body panel to the center mounting location, **(Figure 5)**. Select the Driver/Left Center Mounting Bracket. Repeat **Steps 2 & 3** to attach the Bracket, **(Figure 6)**. Do not tighten hardware.
5. Continue to the rear mounting location in front of the rear tire, **(Figure 7)**. Select the Driver/Left Rear Mounting Bracket. Attach the Bracket to the (2) threaded inserts with (2) 8mm Hex Bolts, (2) 8mm Lock Washers and (2) 8mm Flat Washers, **(Figures 7—9)**. Do not tighten hardware.
6. Unwrap the Driver/Left S6 Running Board. Select (3) 8mm Double Bolt Plates, **(Figure 10)**. Insert the Bolt Plates into the channel in the bottom of the Running Board.
7. Place the Running Board on top of the (3) Mounting Brackets. Lift the Running Board up and guide the studs down through the Brackets. **IMPORTANT:** Do not slide the Running Board on the Brackets, (front to back or rotate), or the finish on the Running Board may be damaged.
8. Attach the Running Board to the Brackets with (6) 8mm Flat Washers and (6) 8mm Nylon Lock Nuts, **(Figure 10)**. Do not tighten hardware.
9. Level and adjust the Running Board and fully tighten all hardware.
10. Select the factory cover. Line up the cover to the factory mounting holes. Mark where the Center Mounting Bracket sits. Using a hacksaw or sharp knife, cut the cover to allow the Bracket to go through. **(Figure 11)**. Only cut a little at a time.

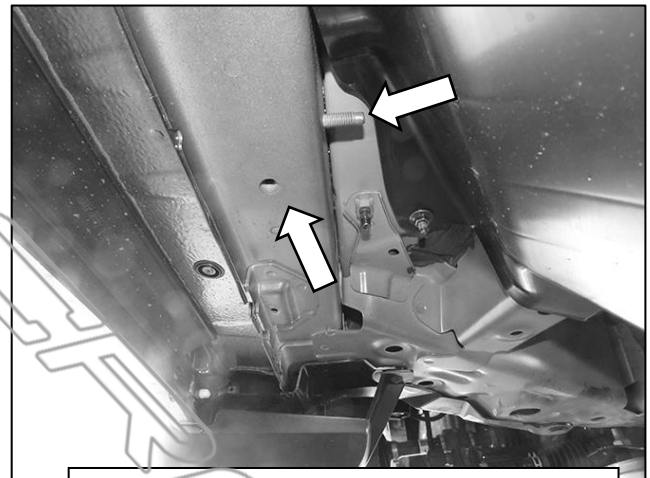
11. Repeat **Steps 2—8** to attach the Passenger/Right Viewpoint Running Board.
12. Do periodic inspections to the installation to make sure that all hardware is secure and tight.

**To protect your investment,** Do not use any type of polish or wax that may contain abrasives that could damage the finish. Mild soap may be used to clean the Running Boards.

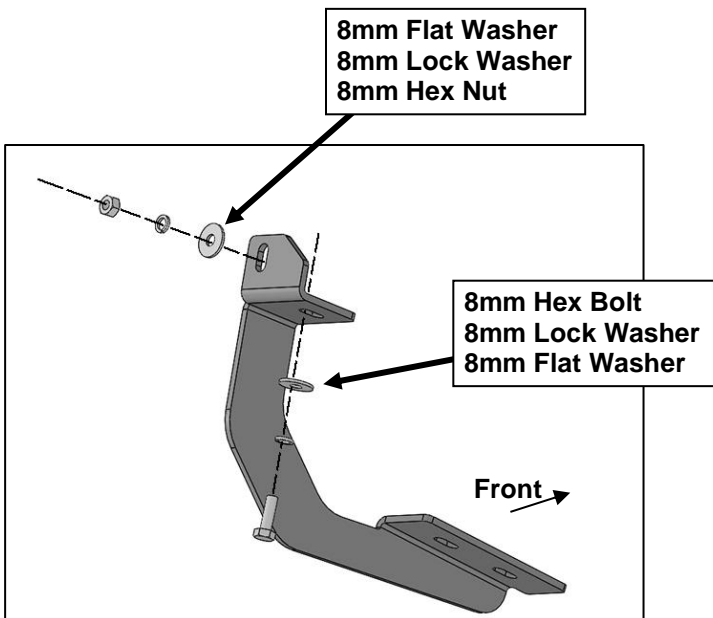
**Driver Side Installation Pictured**



**(Fig 1) Use pry tools to remove the plastic cover**



**(Fig 2) Driver/Left front mounting location**

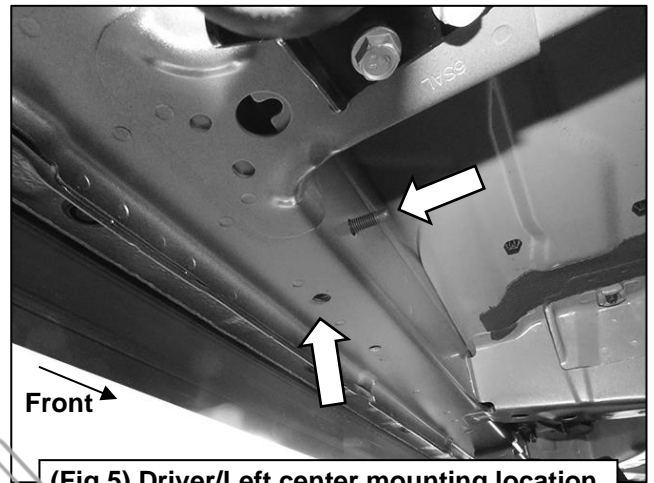


**(Fig 3) Attach Driver/Left Front Mounting Bracket to the front mounting location**

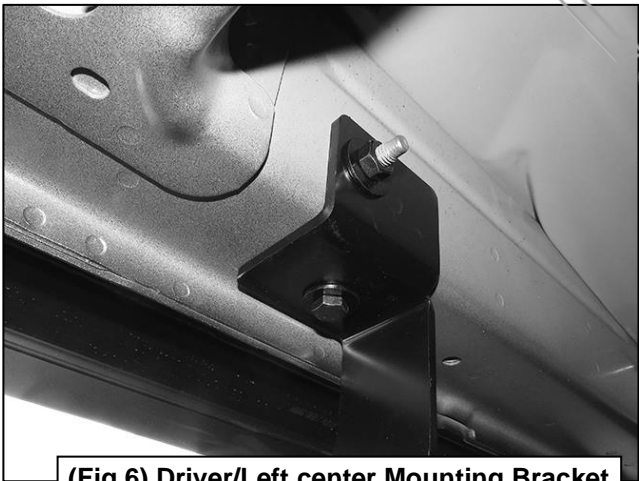
Driver Side Installation Pictured



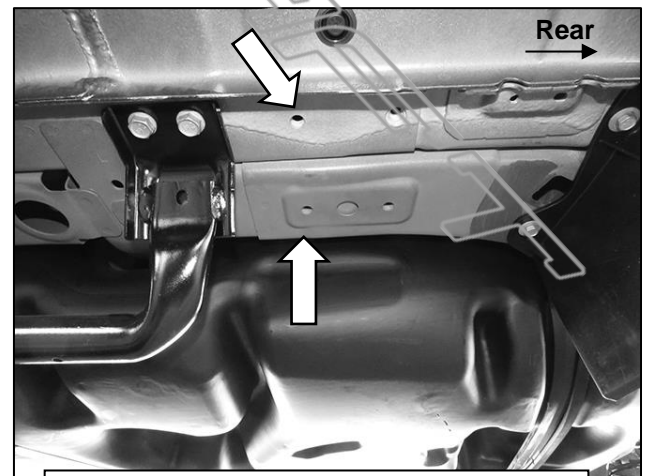
(Fig 4) Driver/Left Front Mounting Bracket attached to the front mounting location



(Fig 5) Driver/Left center mounting location



(Fig 6) Driver/Left center Mounting Bracket attached to the center mounting location



(Fig 7) Driver/Left rear mounting location

Driver Side Installation Pictured

