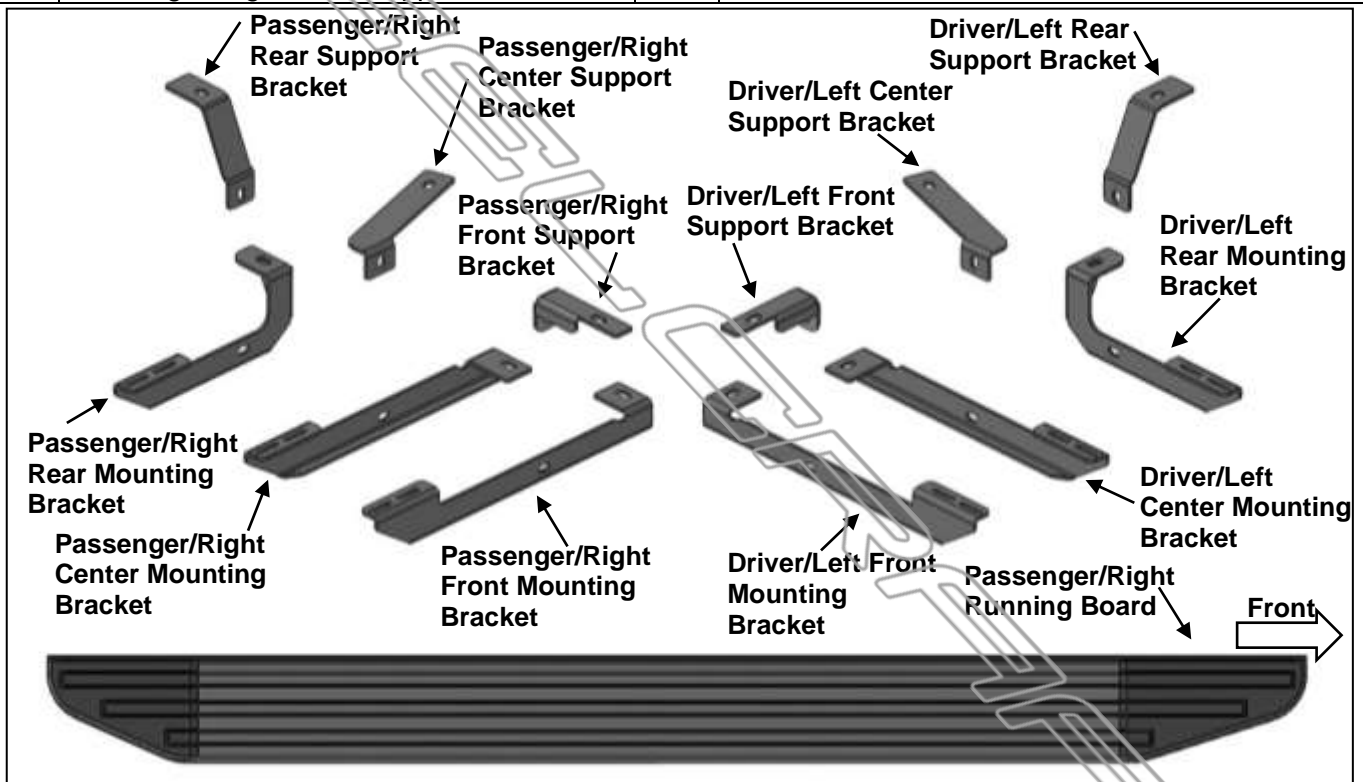




**INSTALLATION INSTRUCTIONS**  
**STX100 RUNNING BOARDS**  
**21-22 CHEVROLET TRAILBLAZER**


**PARTS LIST:**

1	Driver/Left Viewpoint Running Board	2	Compression Plates
1	Passenger/Right Viewpoint Running Board	6	10mm x 40mm Large Bolt Plates
1	Driver/Left Front Mounting Bracket	6	10mm x 30mm Small Bolt Plates
1	Passenger/Right Front Mounting Bracket	2	10mm x 45mm Hex Bolts
1	Driver/Left Center Mounting Bracket	6	10mm x 30mm Hex Bolts
1	Passenger/Right Center Mounting Bracket	12	10mm x 30mm OD x 2.5mm Flat Washers
1	Driver/Left Rear Mounting Bracket	14	10mm x 20mm OD x 2mm Flat Washers
1	Passenger/Right Rear Mounting Bracket	20	10mm Lock Washers
1	Driver/Left Front Support Bracket	20	10mm Hex Nuts
1	Passenger/Right Front Support Bracket	12	10mm Plastic Retainers
1	Driver/Left Center Support Bracket	12	6mm x 20mm T-Bolts
1	Passenger/Right Center Support Bracket	12	6mm x 22mm OD x 2mm Flat Washers
1	Driver/Left Rear Support Bracket	12	6mm Lock Washers
1	Passenger/Right Rear Support Bracket	12	6mm Hex Nuts



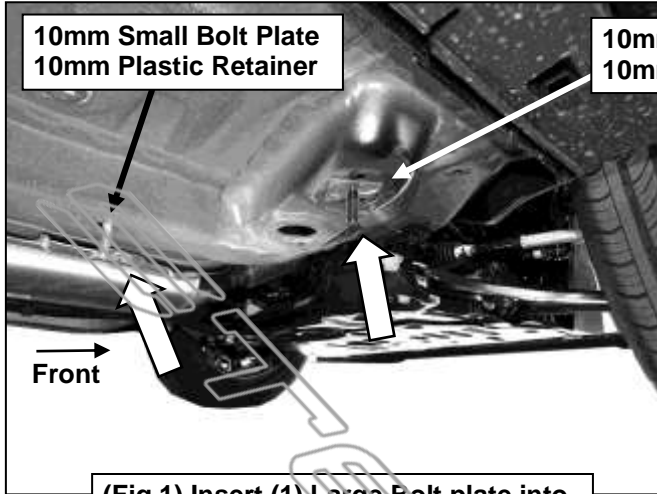
**PROCEDURE:**

- 1. REMOVE CONTENTS FROM BOX. VERIFY ALL PARTS ARE PRESENT. READ INSTRUCTIONS CAREFULLY. ASSISTANCE IS HIGHLY RECOMMENDED.**
- Starting on the Passenger/Right side of the vehicle, locate the front mounting location, **(Figure 1)**. Select (1) Large 10mm Bolt Plate and thread (1) 10mm Plastic Retainer onto the threads. Insert into the large hole in the floor panel, **(Figure 1)**. Select (1) Small 10mm Bolt Plate and thread (1) 10mm Plastic Retainer onto the threads. Insert into the small hole in the floor panel, **(Figure 1)**.
- Select the Passenger/Right Front Mounting Bracket. Attach the Mounting Bracket to the Small Bolt Plate with (1) 10mm x 30mm Flat Washer, (1) 10mm Lock Washer and (1) 10mm Hex Nut, **(Figures 2 & 3)**. Do not tighten hardware.
- Select the Passenger/Right Front Support Bracket. Attach the Support Bracket to the Large Bolt Plate in the floor panel with (1) 10mm x 30mm Flat Washer, (1) 10mm Lock Washer and (1) 10mm Hex Nut. Attach the Support Bracket to the Mounting Bracket with (1) 10mm Hex Bolt, (2) 10mm x 20mm Flat Washers, (1) 10mm Lock Washer and (1) 10mm Hex Nut, **(Figures 4 & 5)**. Do not tighten hardware.

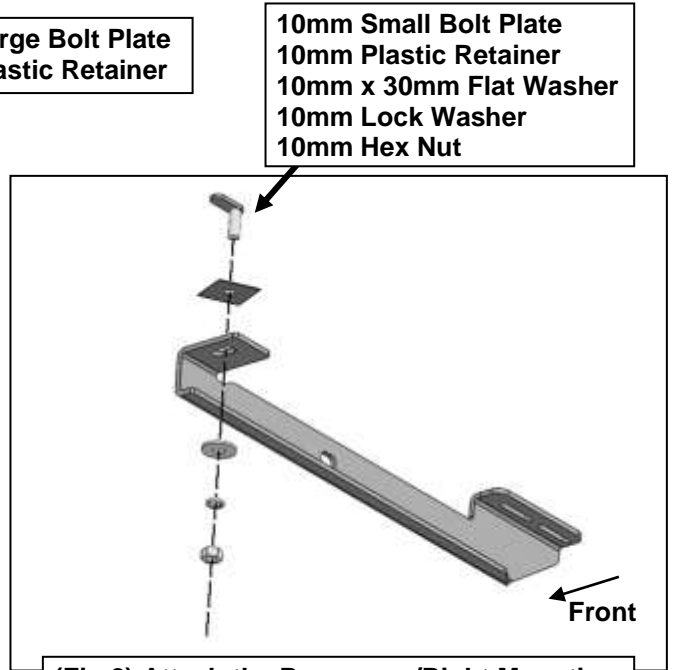
5. Move to the center location, **(Figure 6)**. Select (2) 10mm Small Bolt Plates and thread (1) 10mm Plastic Retainer onto each of the threads. Insert the (2) 10mm Small Bolt Plates into the holes in the floor panel, **(Figure 6)**. Repeat **Steps 3 & 4** to attach the Passenger/Right Center Mounting Bracket and Center Support Bracket, **(Figures 6—10)**. **NOTE:** Attach the Mounting Bracket to the forward Bolt Plate and the Support Bracket to the rear Bolt Plate.
  6. Move to the rear mounting location, **(Figure 11)**. Select (2) 10mm Large Bolt Plates and thread (1) 10mm Plastic Retainer onto each of the threads. Insert the (2) 10mm Large Bolt Plates into the large holes in the floor panel, **(Figure 11)**. Repeat **Steps 3 & 4** to attach the Passenger/Right Rear Mounting Bracket and Rear Support Bracket to the (2) Large Bolt Plate, **(Figures 12 & 13)**. Do not tighten hardware. **NOTE:** Attach the Mounting Bracket to the forward Bolt Plate and the Support Bracket to the rear Bolt Plate.
  7. Select (1) Compression Plate.
    - a. Thread (1) 10mm Hex Nut to (1) 10mm x 45mm Hex Bolt.
    - b. Slide (1) 10mm Lock Washer and (1) 10mm Flat washer onto the 10mm Hex Bolt.
    - c. Thread the 10mm Hex Bolt assembly into the welded nut on the back of the Mounting Bracket. Place the Compression Plate onto the end of the 10mm Hex Bolt, **(Figures 14A & 14B)**.
    - d. Tighten Hex Bolt to place the Compression Plate onto the floor panel. Do not tighten Hex Bolt all the way. **NOTE:** Use the 10mm Hex Nut to adjust the level of the Mounting Bracket.
    - e. Follow link for Compression Plate installation. <https://youtu.be/R51s7Vk1Sy4>
- 
8. Select the Passenger/Right Viewpoint Running Board. Insert (6) T-Bolts into the channels in the bottom of the Running Board, (3) per channel, **(Figure 15)**. Place the Running Board onto the Mounting Brackets and line up the T-Bolts. Attach the Running Board to the Mounting Brackets with (6) 6mm Flat Washers, (6) 6mm Lock Washers and (6) 6mm Hex Nuts, **(Figure 16)**. Do not tighten hardware.
  9. Level and adjust the Running Board and fully tighten all hardware.
  10. Repeat **Steps 1—9** to attach the Driver/Left Viewpoint Running Board.
  11. Do periodic inspections to the installation to make sure that all hardware is secure and tight.

**To protect your investment**, Do not use any type of polish or wax that may contain abrasives that could damage the finish. Use only mild soap to clean the Running Boards.

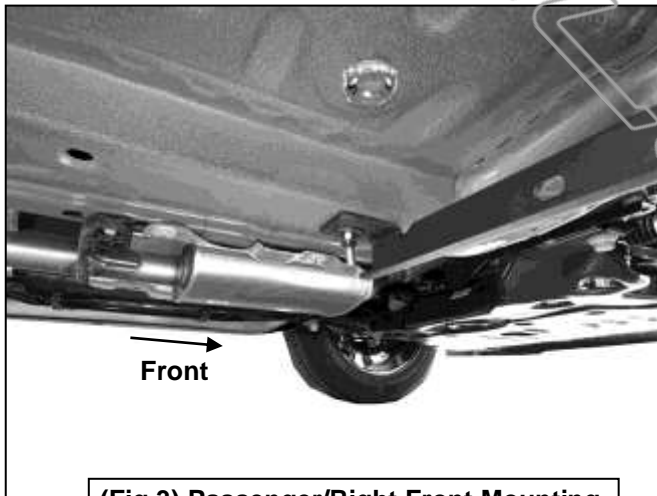
### Passenger/Right Side Installation Pictured



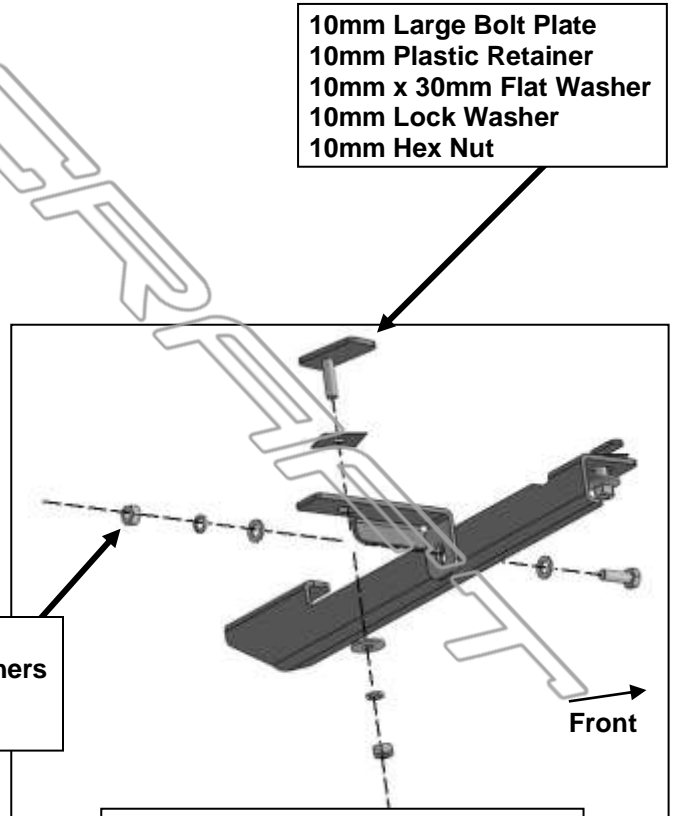
(Fig 1) Insert (1) Large Bolt plate into the large hole and (1) Small Bolt Plate into the small hole in the floor panel



(Fig 2) Attach the Passenger/Right Mounting Bracket to the Small Bolt Plate

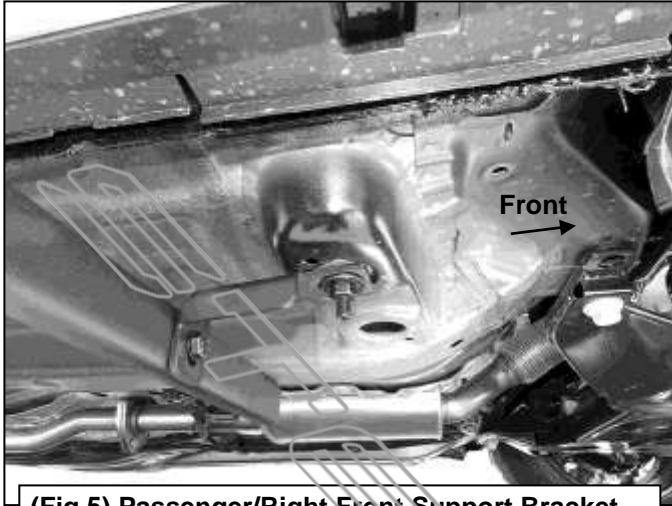


(Fig 3) Passenger/Right Front Mounting Bracket attached to the Small Bolt Plate

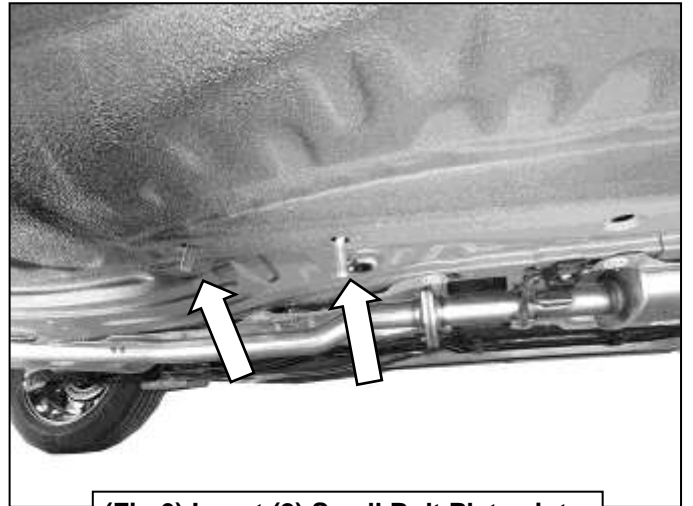


(Fig 4) Attach the Passenger/Right Front Support Bracket to the Large Bolt Plate and the Mounting Bracket

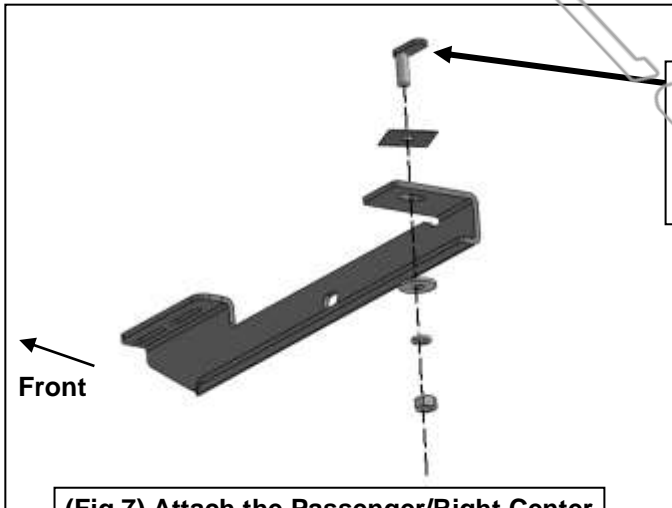
### Passenger/Right Side Installation Pictured



**(Fig 5) Passenger/Right Front Support Bracket attached to the Bolt Plate and Mounting Bracket**

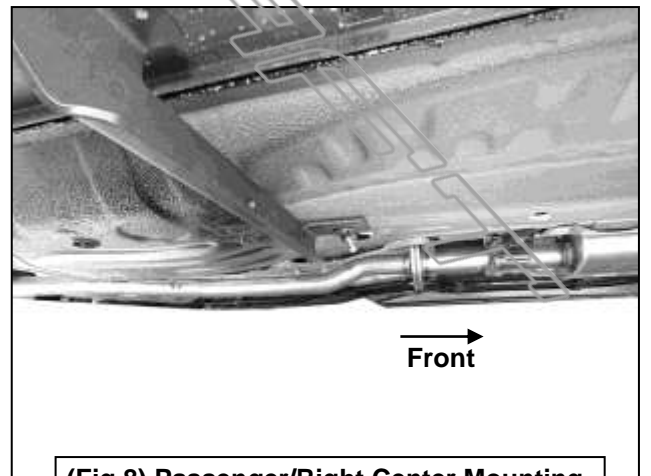


**(Fig 6) Insert (2) Small Bolt Plates into the small holes in the floor panel**



**(Fig 7) Attach the Passenger/Right Center Mounting Bracket to the inner Bolt Plate**

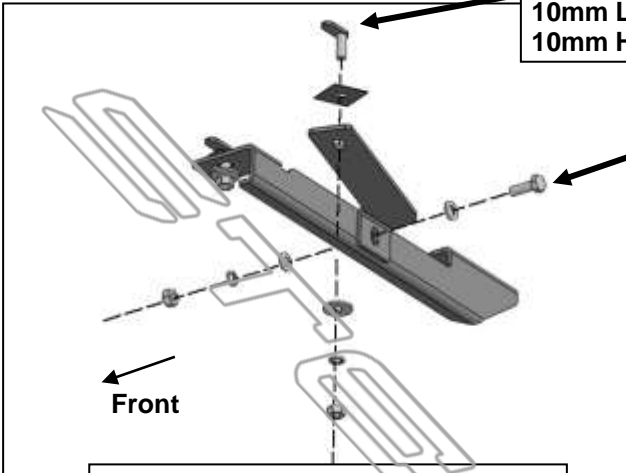
- 10mm Small Bolt Plate
- 10mm Plastic Retainer
- 10mm x 30mm Flat Washer
- 10mm Lock Washer
- 10mm Hex Nut



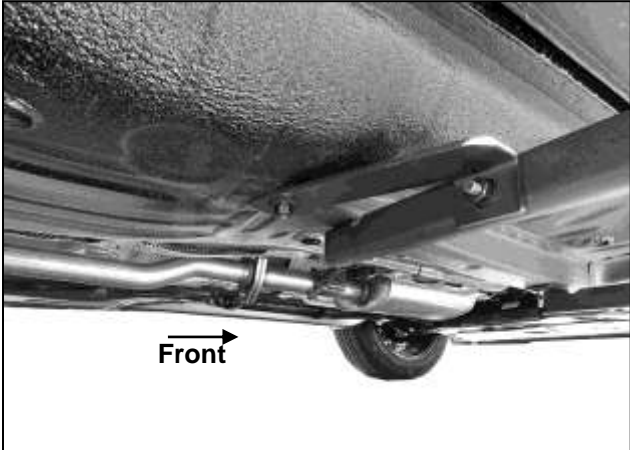
**(Fig 8) Passenger/Right Center Mounting Bracket attached to the Small Bolt Plate**

**Passenger/Right Side Installation Pictured**

- 10mm Small Bolt Plate
- 10mm Plastic Retainer
- 10mm x 30mm Flat Washer
- 10mm Lock Washer
- 10mm Hex Nut

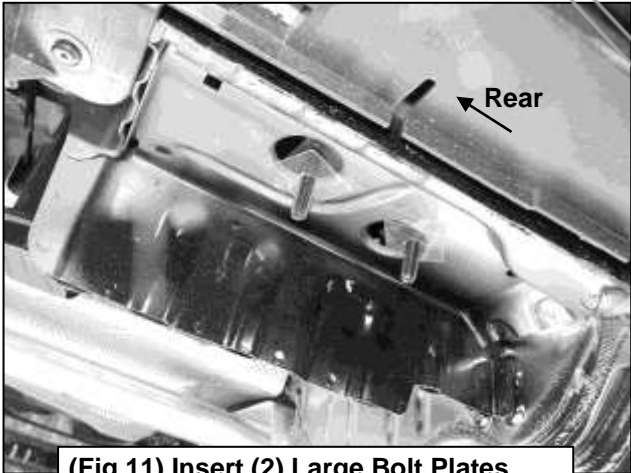


- 10mm Hex Bolt
- (2) 10mm x 20mm Flat Washers
- 10mm Lock Washer
- 10mm Hex Nut



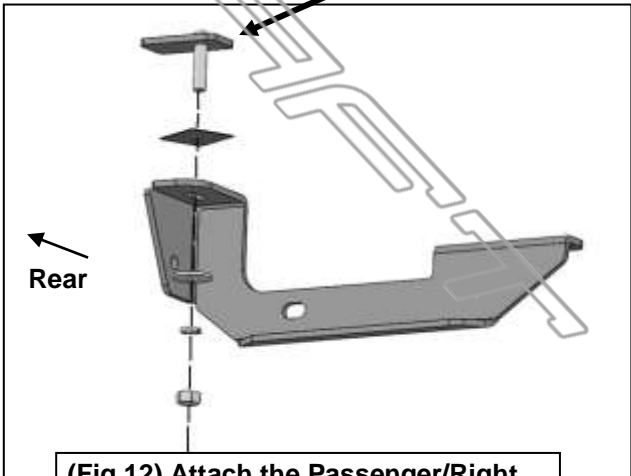
**(Fig 9) Attach the Passenger/Right Center Support Bracket to the outer Bolt Plate and Mounting Bracket**

**(Fig 10) Passenger/Right Center Support Bracket attached to the Bolt Plate and Mounting Bracket**



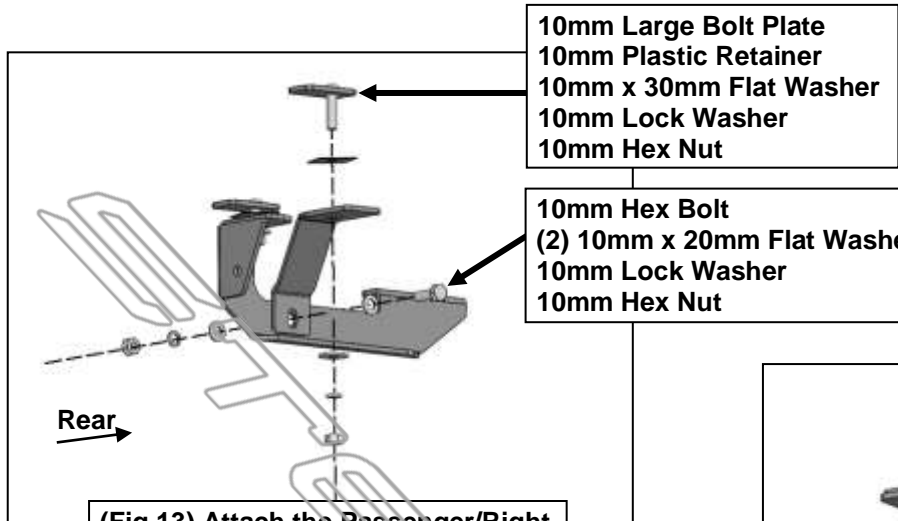
**(Fig 11) Insert (2) Large Bolt Plates into the large holes in the floor panel**

- 10mm Large Bolt Plate
- 10mm Plastic Retainer
- 10mm x 30mm Flat Washer
- 10mm Lock Washer
- 10mm Hex Nut



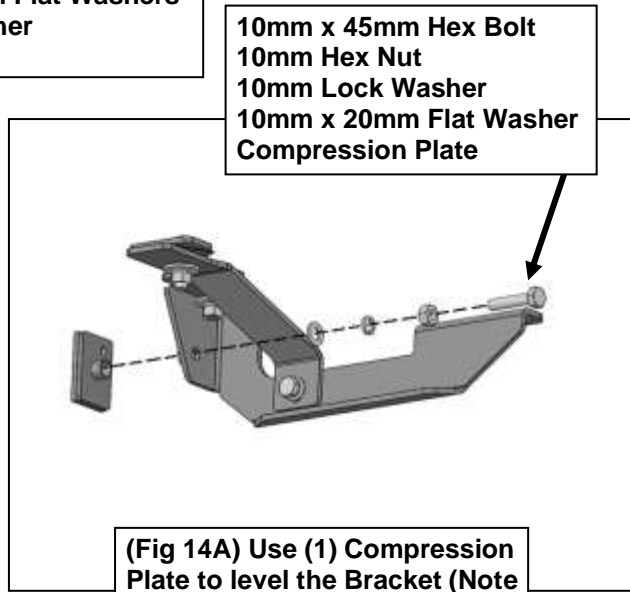
**(Fig 12) Attach the Passenger/Right Rear Mounting Bracket to the forward Large Bolt Plate in the rear location**

### Passenger/Right Side Installation Pictured

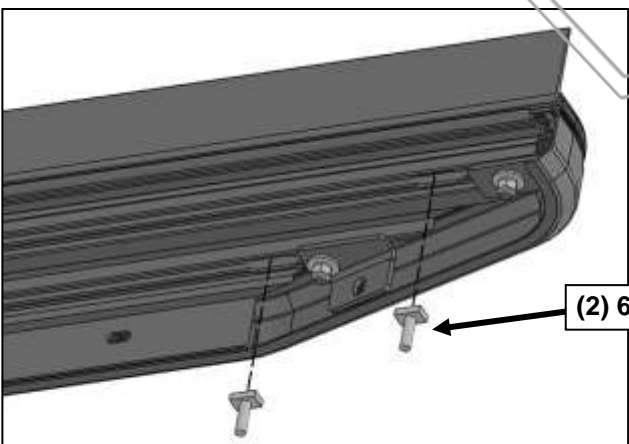


**(Fig 13) Attach the Passenger/Right Sidebar to the Mounting Brackets**

**(Fig 14B)** Follow link for Compression Plate installation.  
<https://youtu.be/R51s7Vk1Sy4>

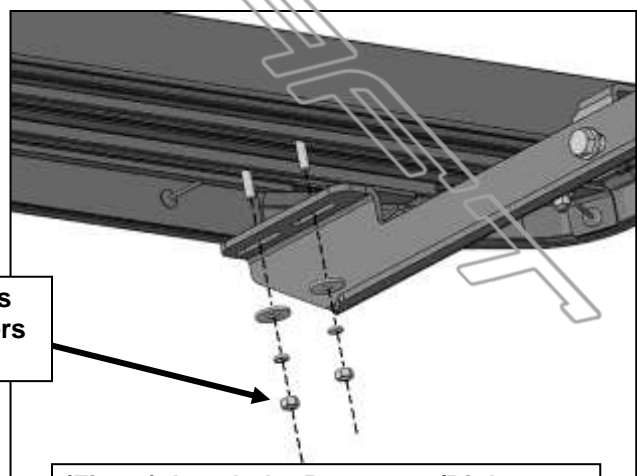


**(Fig 14A) Use (1) Compression Plate to level the Bracket (Note use the Hex Nuts as adjusters)**



**(Fig 15) Insert (6) 6mm T-Bolts into the bottom of the Running Board, 3 per channel**

(2) 6mm Flat Washers  
(2) 6mm Lock Washers  
(2) 6mm Hex Nuts



**(Fig 16) Attach the Passenger/Right Running Board to the Mounting Brackets**