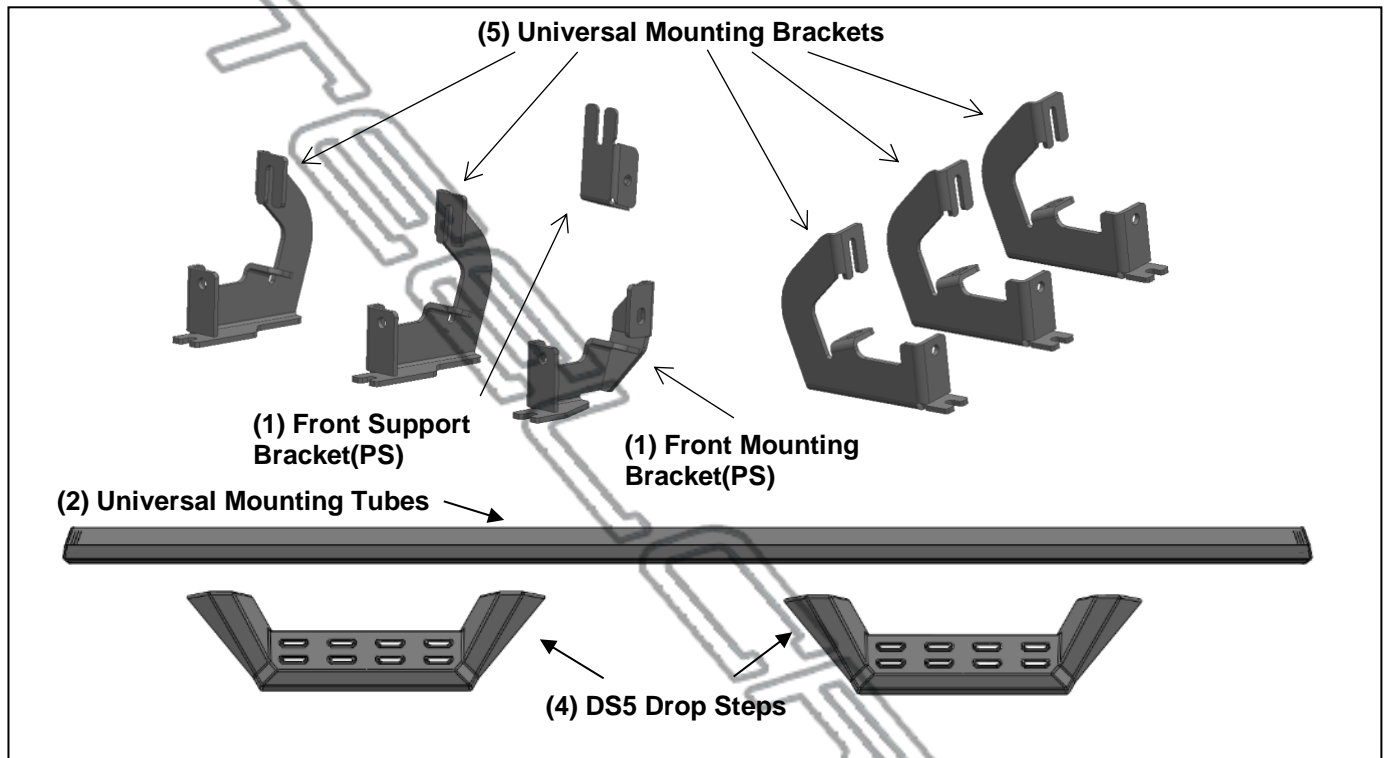


**PARTS LIST:**

2	Universal Mounting Tubes (78")	12	8mm x 25mm Hex Bolts
4	DS5 Drop Steps	12	8mm x 35mm Hex Nuts
5	Universal Mounting Brackets	1	8mm x 28mm x 3mm Flat Washers
1	Front Mounting Bracket(PS)	25	8mm x 24mm x 2mm Flat Washers
1	Front Support Bracket(PS)	25	8mm Lock Washers
8	8mm Plate Washers	17	8mm Nylon Lock Nuts
28	8mm x 25mm T-Bolts	11	8mm Clip Nuts
2	Plastic End Caps(Left)	1	8mm x 40mm Hex Bolts
2	Plastic End Caps(Right)	1	8mm x 35mm Bolt Plate



**PROCEDURE:**

**REMOVE CONTENTS FROM BOX. VERIFY ALL PARTS ARE PRESENT. READ INSTRUCTIONS CAREFULLY BEFORE STARTING INSTALLATION. ON MODELS WITH DEF TANK, SELECT A FLAT, LEVEL AREA FOR INSTALLATION. MAY REQUIRE CUTTING.**

1. Start the installation under the Driver/Left side of the vehicle. Locate the 4 tabs along the bottom edge of the body, (pinch weld). Mounting will use the 1st, 2nd and 4th tab locations, **(Figure 1)**. Directly above each tab is a top mounting location on the side of the body panel. Hold a Bracket up in place to help determine the mounting holes to use along the body.
2. Determine the correct procedure for your model year and each Bracket location.

**Bottom mounting location on the edge of the pinch weld.**

**Flat tab on pinch weld with factory installed weld nut:**

Thread hex bolt into weld nut from the backside-down to clear paint from threads.

**Flat tab on pinch weld with hole:**

Select (1) 8mm Clip Nut. Slide the Clip Nut over the tab with the nut facing up behind the tab, **(Figures 2 & 3)**. Line up threaded nut with hole in the tab. Repeat for each mounting location.

**Locate top mounting location on the back side of the rocker panel.**

**Models with factory installed threaded insert in rocker panel:**

Thread 8mm Hex Bolt into threaded insert to clear paint as required, **(Figures 2 & 3)**.

**Large and small hole in side of body panel:**

Remove the rubber plug from the larger hole, **(Figure 4)**. Select (1) 8mm Clip Nut. Slide the Clip Nut into the larger hole. Line up the threaded nut with the smaller hole.

3. Select (1) Driver/Left Mounting Bracket. Attach the Mounting Bracket to the Clip Nuts and/or the factory threaded holes with (2) 8mm Hex Bolts, (2) 8mm Lock Washers and (2) 8mm Flat Washers, **(Figure 5)**. Do not tighten hardware.
4. Repeat **Steps 1—3** to attach (2) Mounting Brackets to the Driver/Left side.
5. Select the Universal Mounting Tube. Select (8) 8mm T-bolts. Insert the T-bolts into the rear and bottom channels of the Universal Mounting Tube, **(Figure 6)**. Guide the T-bolts to the general position of the Mounting Brackets.
6. Take (8) 8mm T-bolts. Insert the T-bolts into the front channels of the Universal Mounting Tube **(Figure 7)**. Each front channel should have (4) T-bolts, which corresponds to the holes on the DS5 Drop Steps.
7. Attach the DS5 Drop Steps to the Universal Mounting Tube. Each DS5 Drop Step uses (2) 8mm Plate Washers and (4) 8mm Nylon Lock Nuts, **(Figure 8—9)**. Do not tighten hardware. While the hardware is not tightened, the Drop Steps will slide along the length of the channels.
8. Take (2) Plastic End Caps. Insert the correctly oriented Plastic End Caps onto the ends of the Universal Mounting Tube, **(Figure 10)**. It is recommended to secure one end and to use a rubber mallet to carefully tap the Plastic End Caps into place on the other end. Inspect the installed Plastic End Caps to see if they are facing the correct direction.
9. Attach the Universal Mounting Tube to the Mounting Brackets. Each Mounting Bracket uses (2) 8mm Flat Washers, (2) 8mm Lock Washers and (2) 8mm Hex Nuts, **(Figure 11)**. Do not tighten hardware.
10. Level and adjust the Universal Mounting Tube and tighten all hardware.
11. Adjust the DS5 Drop Steps by sliding them to the desired positions. Tighten all hardware to secure the Drop Steps in place.
12. Move to the Passenger/Right side of the vehicle. Determine if the vehicle is equipped with a plastic diesel exhaust fluid (DEF) tank, **(Figures 12 & 13)**.

**Models without DEF tank, skip to Step 13.**

**Models with DEF tank:** The tank sits close to the side of the body. With specialized tools, the Passenger/Right Front Upper and Lower Mounting Brackets can be installed but room is very limited. Determine model year of vehicle before proceeding.

#### Up to 2016 models:

It may be easier to drop the tank down to access the inner side of the body panel for upper bracket installation. Tank will not need to be removed, only dropped down for access to mounting location.

**IMPORTANT:** If tank is full, it will be very heavy and assistance is highly recommended to avoid injury or damage to the vehicle or the tank. It is recommended that installation is performed when the DEF tank is low on fluid before dropping the tank.

- a. On models with plastic lower tray under the tank, remove the (3) hex bolts attaching the tray to the frame, **(Figure 12)**, and remove the tray.
- b. Release the tank filler hose. Release the plug for the sending unit on the top of the tank.
- c. Support the tank with a floor jack. Place a smooth flat surface, (wooden block for example), between the floor jack and the tank to avoid damaging the plastic tank. Do not push up on the tank; only support the weight of the tank with the jack.
- d. Remove the (2) bolts securing the tank straps to the vehicle, **(Figure 13)**. Tilt the straps to release from the brackets. Slowly lower the tank until the top of the tank is almost visible. Use blocks or stands to support the tank while installing the Front Upper and Lower Brackets.
- e. Proceed to **Step 13**.

#### On 2017 models and on:

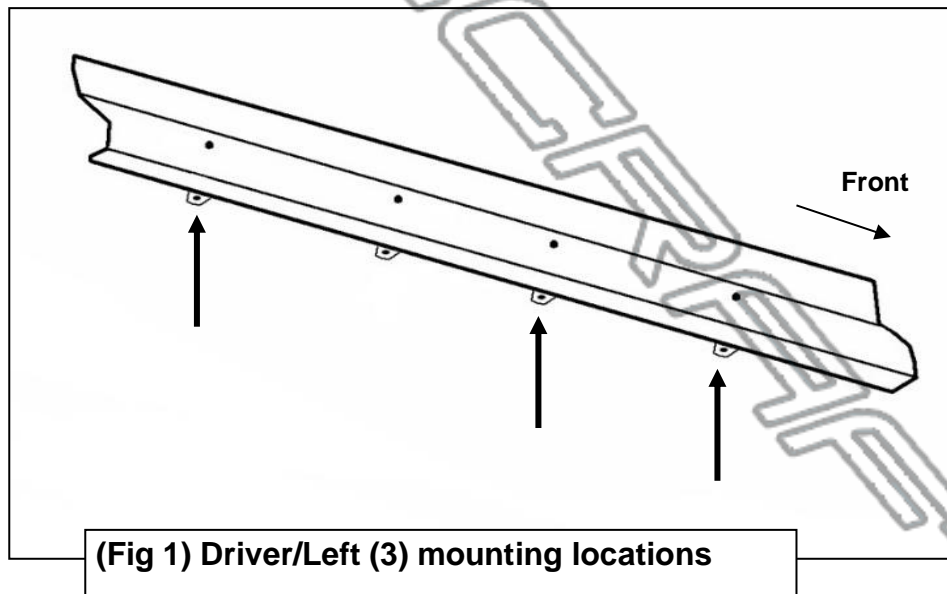
- a. If necessary, remove the (4) hex bolts attaching plastic cover to DEF tank, **(Figure 14)** and remove plastic cover for better access. **NOTE:** On 2017-on 2500/3500 models, only remove plastic cover from DEF tank. **Do not lower DEF tank** and proceed to **Step 13**.

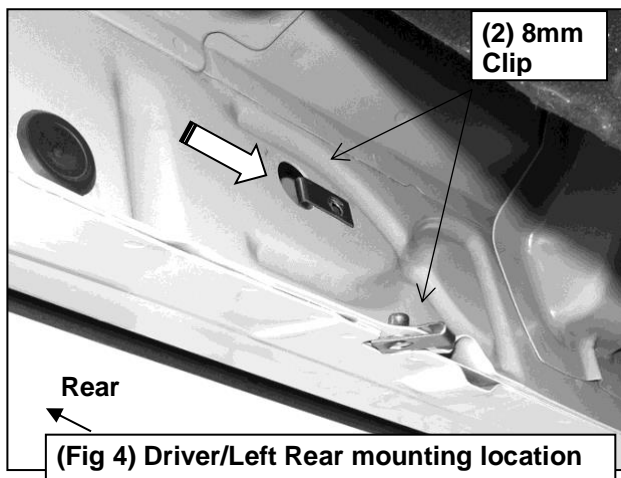
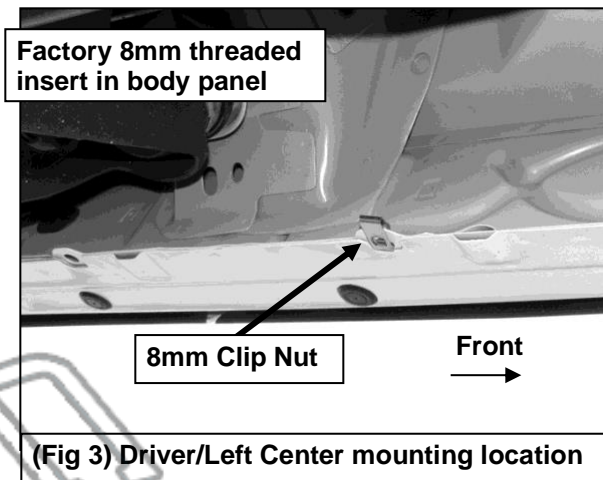
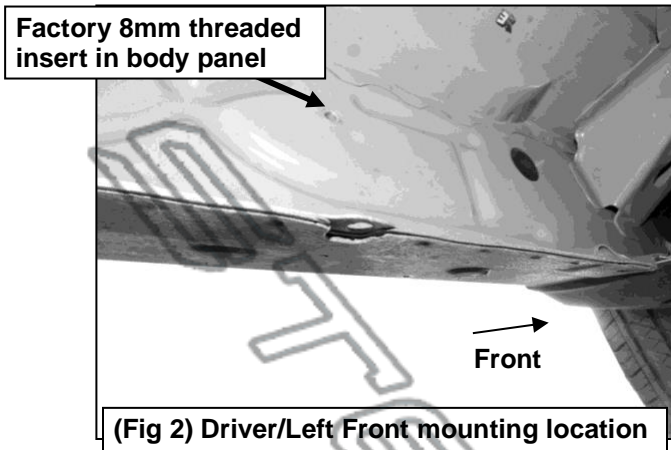
13. Locate the first tab on the edge of the pinch weld. Select the Upper Bracket, **(Figure 15)**. Repeat **Steps 2 & 3** to attach the Passenger/Right Front Upper Mounting Bracket to the side of the rocker panel, **(Figure 16)**. Do not tighten hardware.
14. Line up the hole in the bottom of the Upper Bracket with the hole in the tab on the pinch weld.

- a. **Models with a weld-nut:** Slide the Bracket over the weld-nut. Attach the Lower Bracket to the bottom of the body and weld-nut with (1) 8mm x 40mm Hex Bolt, (1) 8mm Lock Washer, (1) 8mm x 24mm Flat Washer, (1) 8mm x 28mm Flat Washer and (1) 8mm Nylon Lock Nut, **(Figures 16 & 19)**. Do not tighten hardware.
- b. **Models with flat tab and hole:** Insert the 8mm Bolt Plate down through the hole in the Upper Bracket and tab. Attach the Lower Bracket to the bottom of the body and Bolt Plate with (1) 8mm Flat Washer and (1) 8mm Nylon Lock Nut, **(Figures 17 & 18)**. Do not tighten hardware.
15. Secure the front of the Support Bracket to the Mounting Bracket with (1) 8mm x 25mm Hex Bolt, (1) 8mm Lock washer and (1) 8mm x 24mm Flat Washer, **(Figure 20)**. Do not tighten hardware.
16. Repeat **Steps 1—3** to attach the remaining (2) Mounting Brackets to the Passenger/Right rocker panel.
17. **For 2017 2500/3500 DEF tank models:** Locate the 2nd mounting location along the bottom edge of the body, (pinch weld), **(Figure 1)**. Hold the DEF cover in place and mark the 2nd Bracket location onto the cover, **(Figure 21A)**. Use a sharp knife or hacksaw blade to carefully cut a slot in the plastic cover to clear the 2nd Bracket, **(Figure 21B)**. Remove as little plastic as possible.
18. Repeat **Step 5-9** to attach the Passenger/Right DS5 Running Board.
19. Once the Running Board has been attached and all hardware fully tightened, reinstall the DEF tank and cover, if equipped, as described in **Step 12**.
20. Do periodic inspections to the installation to make sure that all hardware is secure and tight.

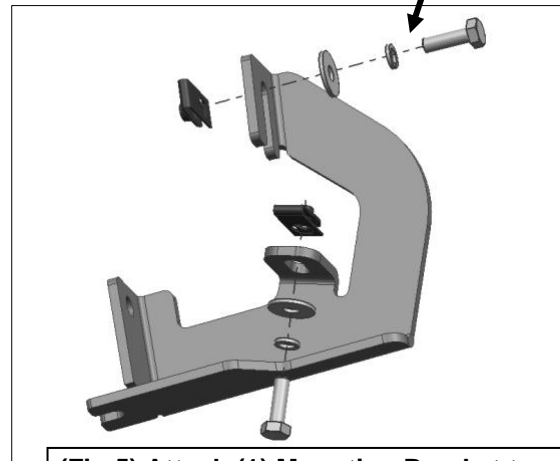
**To protect your investment,** Do not use any type of polish or wax that may contain abrasives that could damage the finish. Use only mild soap to clean the Running Boards.

### Driver/Left Side Installation Pictured

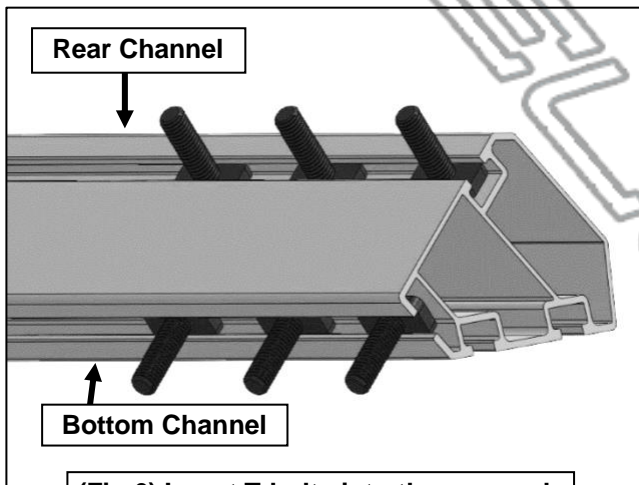




- (2) 8mm Hex Bolts
- (2) 8mm Lock Washers
- (2) 8mm Flat Washers
- (2) 8mm Clip Nuts



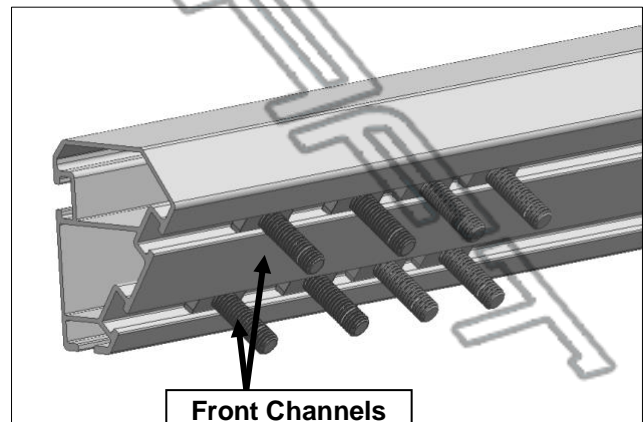
(Fig 5) Attach (1) Mounting Bracket to the Driver/Left front mounting location



Rear Channel

Bottom Channel

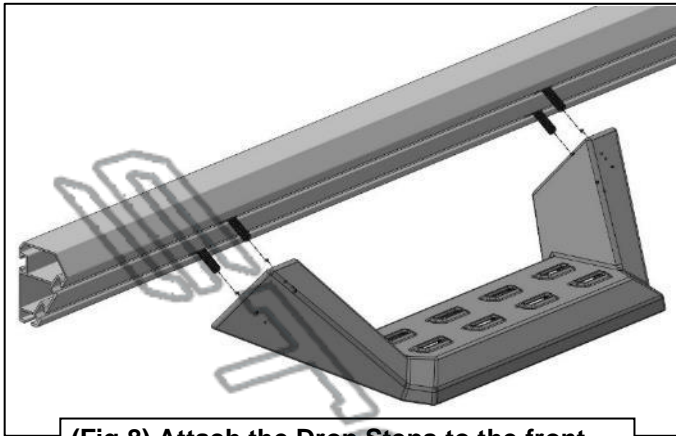
(Fig 6) Insert T-bolts into the rear and bottom channels on the universal mounting tube.



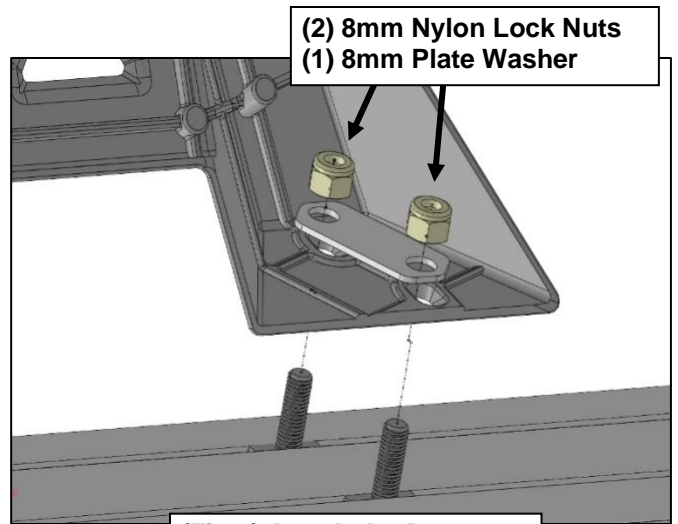
Front Channels

(Fig 7) Insert T-bolts into the Front channels on the universal mounting tube.



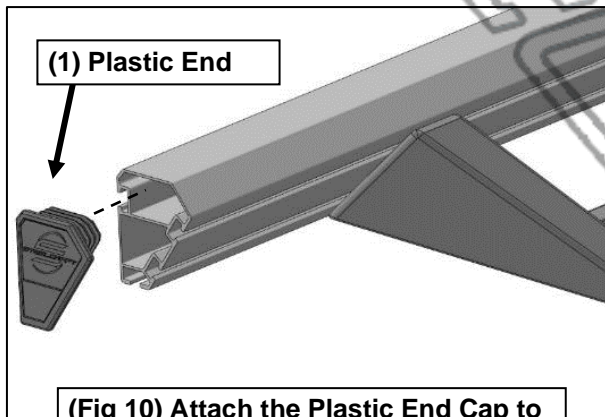


**(Fig 8) Attach the Drop Steps to the front channels of the Universal Mounting Tube.**



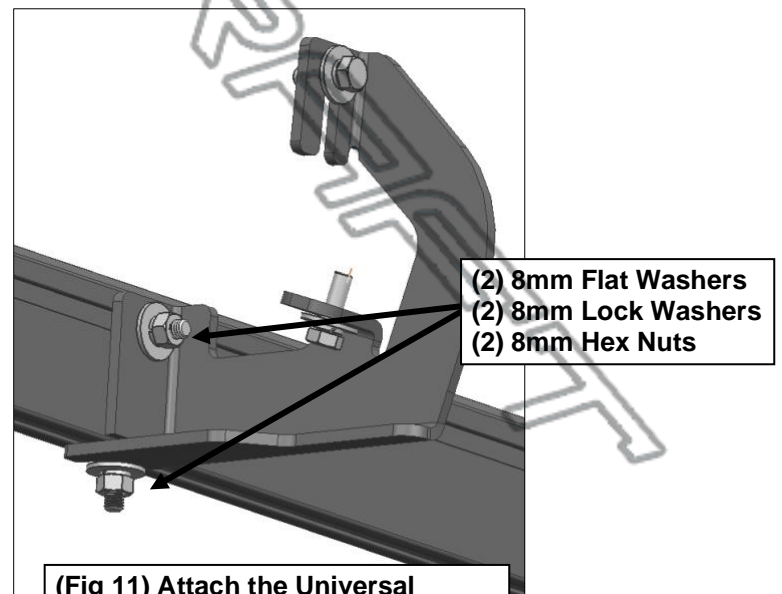
- (2) 8mm Nylon Lock Nuts
- (1) 8mm Plate Washer

**(Fig 9) Attach the Drop Steps to the 8mm T-bolts.**



- (1) Plastic End

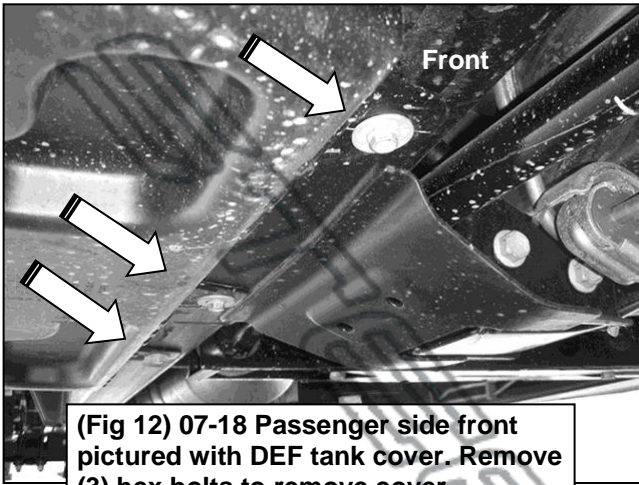
**(Fig 10) Attach the Plastic End Cap to the end of the Universal Mounting**



- (2) 8mm Flat Washers
- (2) 8mm Lock Washers
- (2) 8mm Hex Nuts

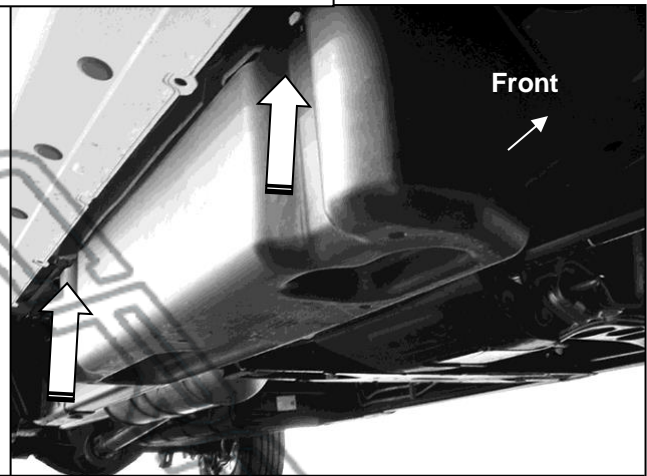
**(Fig 11) Attach the Universal Mounting Tube to the Mounting Brackets.**

### Passenger/Right Front Installation Pictured

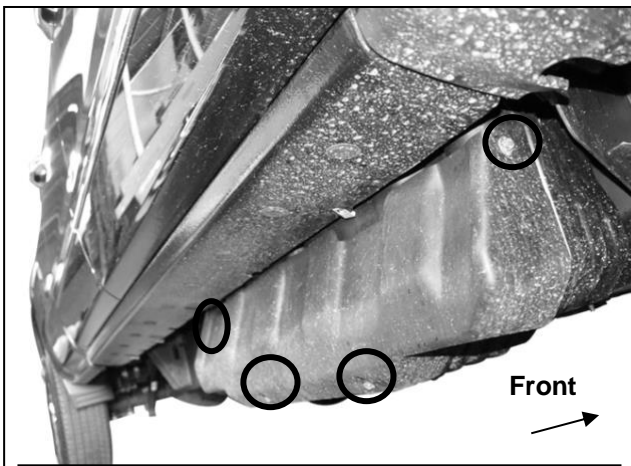


(Fig 12) 07-18 Passenger side front pictured with DEF tank cover. Remove (3) hex bolts to remove cover

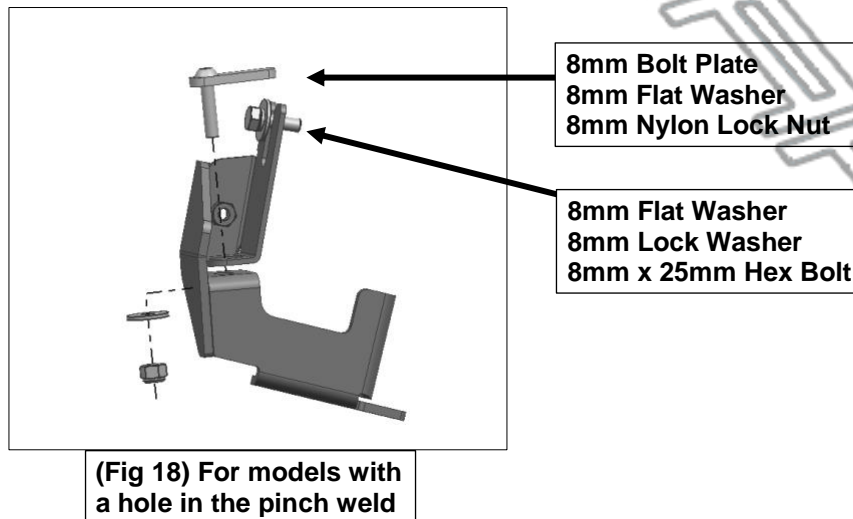
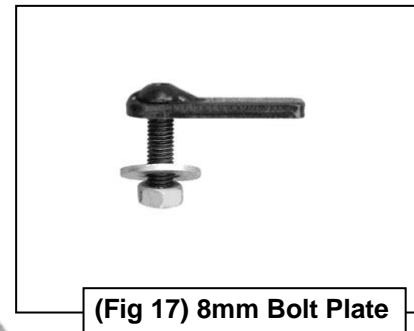
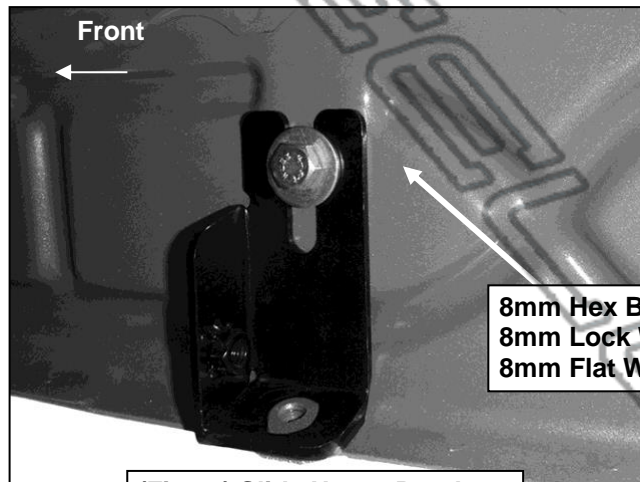
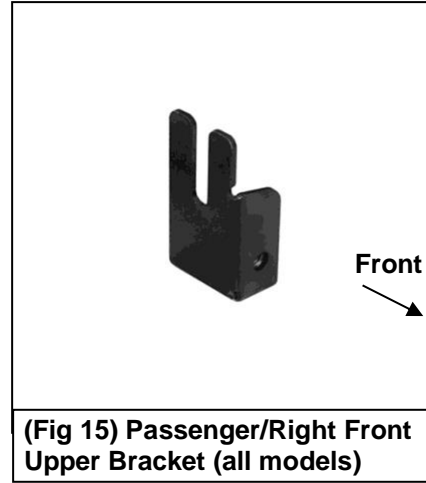
Remove (2) factory bolts to remove tank straps



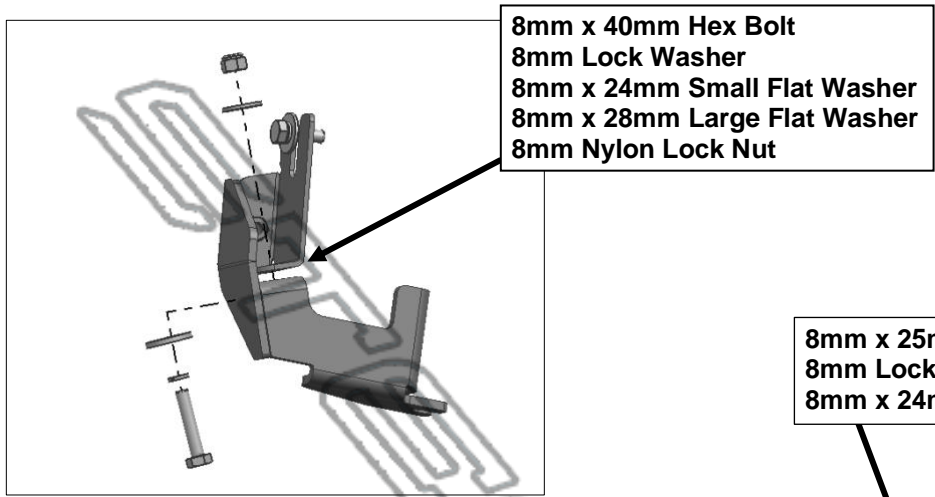
(Fig 13) 07-18 Passenger side DEF tank and cover



(Fig 14) 2017-on Passenger side pictured with DEF plastic tank cover. If needed, remove (4) hex bolts to remove plastic cover.

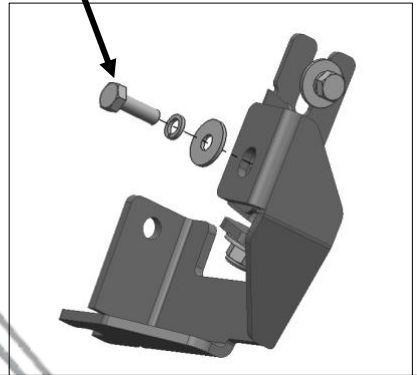




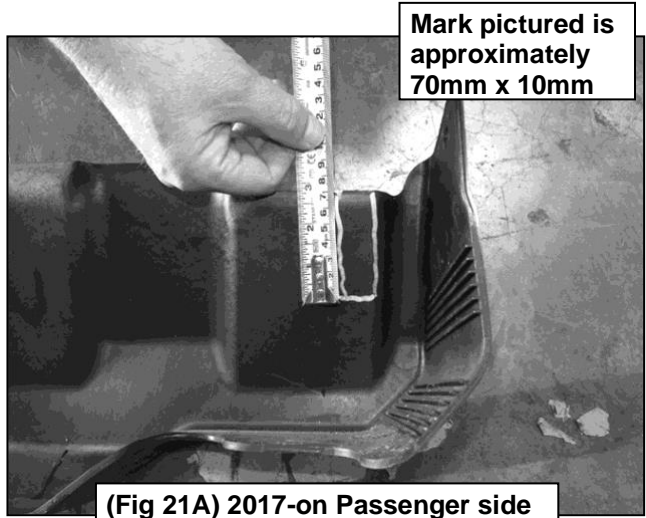


(Fig 19) For models with welded nut in the pinch weld

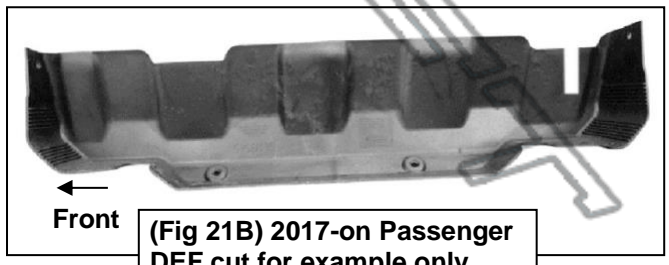
8mm x 25mm Hex Bolt  
8mm Lock Washer  
8mm x 24mm Flat Washer



(Fig 20) Secure the side of the Support Bracket to the Mounting Bracket



(Fig 21A) 2017-on Passenger side DEF cover marked for trimming



(Fig 21B) 2017-on Passenger DEF cut for example only