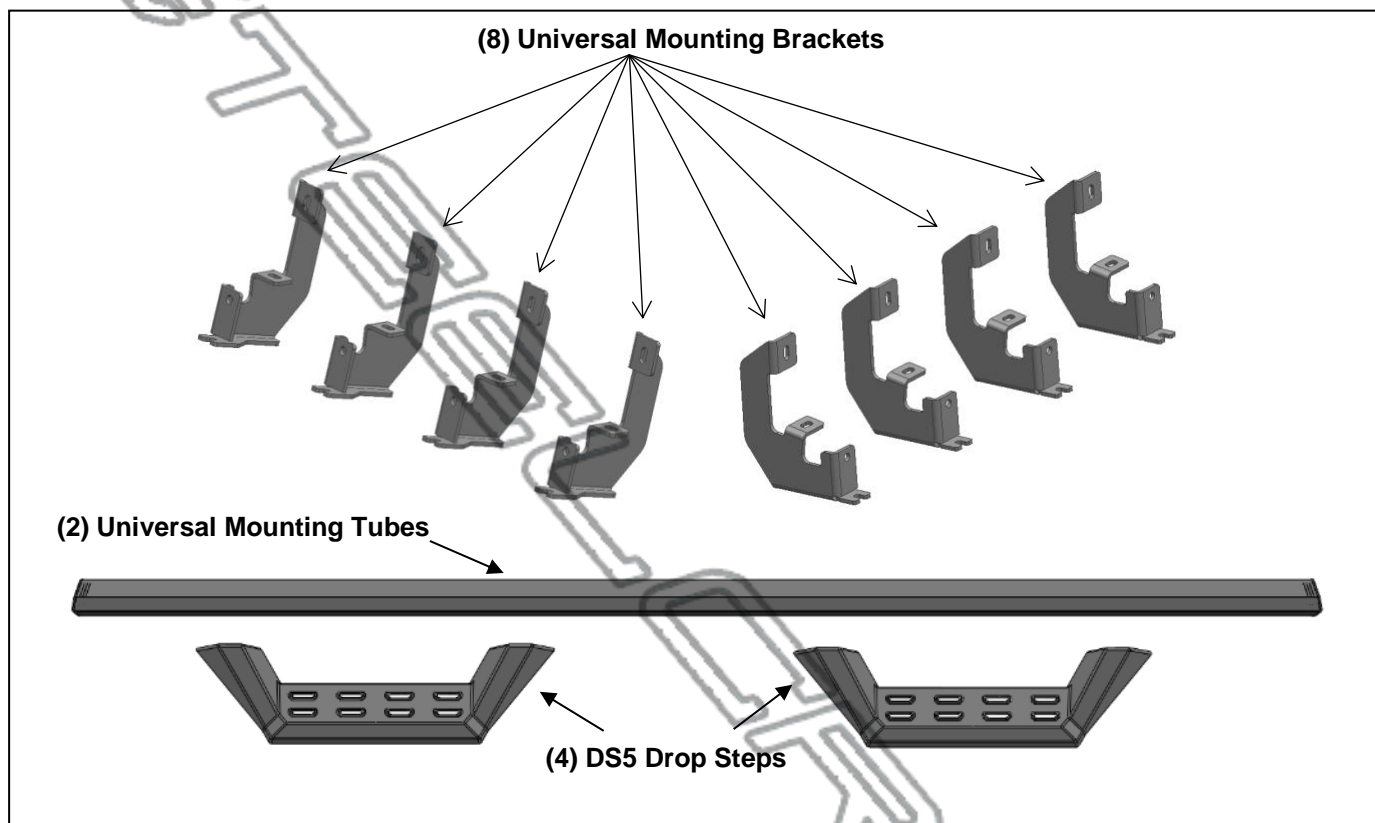


PARTS LIST:

2	Universal Mounting Tubes (85")	32	8mm x 25mm T-Bolts
2	Plastic End Caps(Left)	32	8mm x 24mm x 2mm Flat Washers
2	Plastic End Caps(Right)	32	8mm Lock Washers
4	DS5 Drop Steps	16	8mm Hex Nuts
8	Universal Mounting Brackets	16	8mm Nylon Lock Nuts
8	Plate Washers	16	8mm x 30mm Hex Bolts



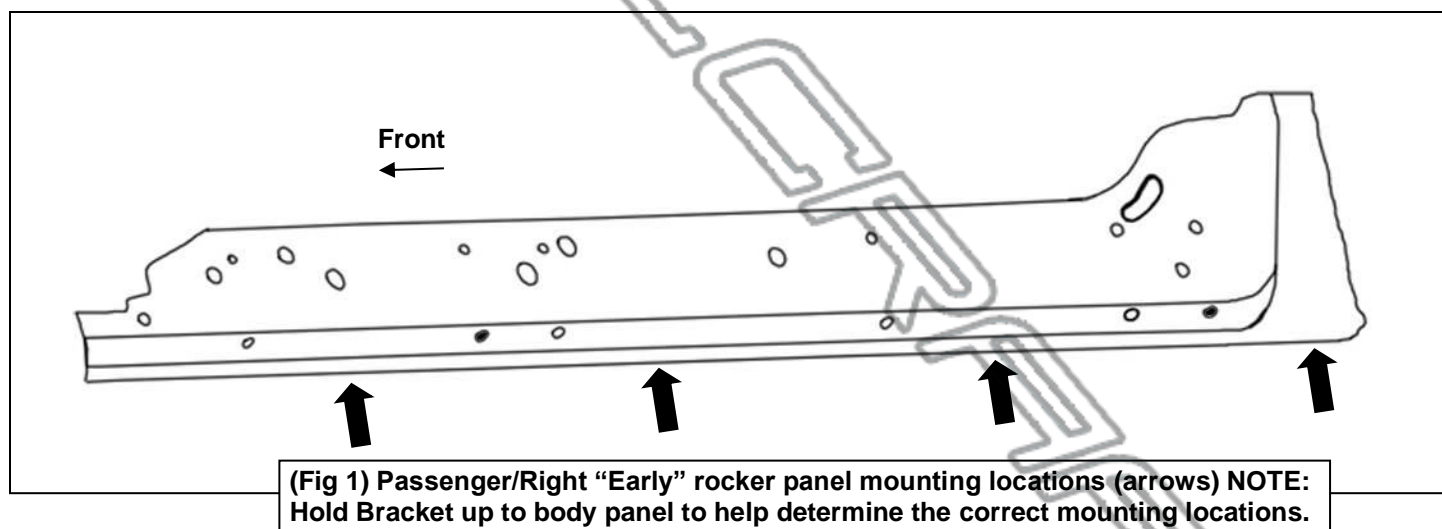
PROCEDURE:

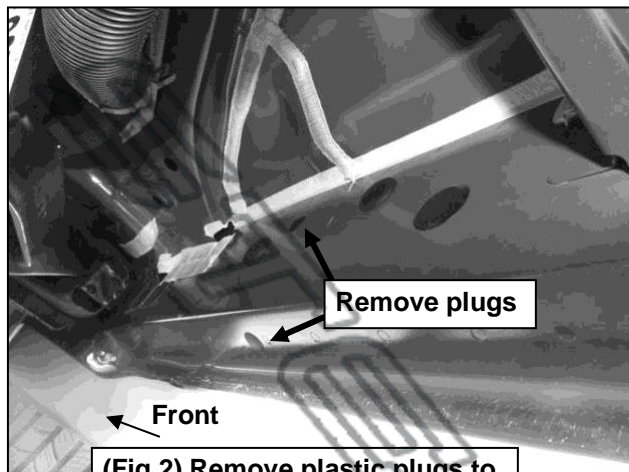
REMOVE CONTENTS FROM BOX. VERIFY ALL PARTS ARE PRESENT. READ INSTRUCTIONS CAREFULLY. ASSISTANCE IS RECOMMENDED.

1. Start the installation under the Passenger/Right side of the vehicle.
 - a. For **“Early” 2019 models**, locate the 6 plugs along the bottom edge of the body. Mounting Brackets will bolt to the 1st, 3rd, 4th and 6th threaded mounting holes, **(Figure 1)**.
 - b. For **“Late” 2019 models**, all (4) mounting locations will be used.
2. Remove the plastic plugs from the Passenger/Right front mounting location, **(Figure 2)**. Select (1) Mounting Bracket. Attach the Mounting Bracket to the factory threaded holes with (2) 8mm Hex Bolts, (2) 8mm Lock Washers and (2) 8mm Flat Washers, **(Figures 3 & 4)**. Do not tighten hardware.
3. Repeat **Steps 1 & 2** to attach the (3) remaining Passenger/Right Mounting Brackets to the (3) remaining locations along the rocker panel, **(Figures 5—7)**. Do not tighten hardware.
4. Select the Universal Mounting Tube. Select (8) 8mm T-bolts. Insert the T-bolts into the rear and bottom channels of the Universal Mounting Tube, **(Figure 8)**. Guide the T-bolts to the general position of the Mounting Brackets.
5. Take (8) 8mm T-bolts. Insert the T-bolts into the front channels of the Universal Mounting Tube **(Figure 9)**. Each front channel should have (4) T-bolts, which corresponds to the holes on the DS5 Drop Steps.

6. Attach the DS5 Drop Steps to the Universal Mounting Tube. Each DS5 Drop Step uses (2) 8mm Plate Washers and (4) 8mm Nylon Lock Nuts, **(Figure 10—11)**. Do not tighten hardware. While the hardware is not tightened, the Drop Steps will slide along the length of the channels.
7. Take (2) Plastic End Caps. Insert the correctly oriented Plastic End Caps onto the ends of the Universal Mounting Tube, **(Figure 12)**. It is recommended to secure one end and to use a rubber mallet to carefully tap the Plastic End Caps into place on the other end. Inspect the installed Plastic End Caps to see if they are facing the correct direction.
8. Attach the Universal Mounting Tube to the Mounting Brackets. Each Mounting Bracket uses (2) 8mm Flat Washers, (2) 8mm Lock Washers and (2) 8mm Hex Nuts, **(Figure 13—14)**. Do not tighten hardware.
9. Level and adjust the Universal Mounting Tube and tighten all hardware.
10. Adjust the DS5 Drop Steps by sliding them to the desired positions. Tighten all hardware to secure the Drop Steps in place.
11. Repeat **Steps 1—10** to attach the other Running Board.
12. Do periodic inspections to the installation to make sure that all hardware is secure and tight.

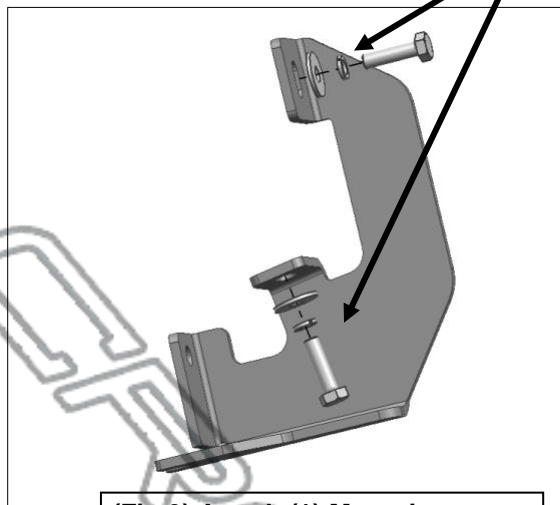
To protect your investment, Do not use any type of polish or wax that may contain abrasives that could damage the finish. Use only mild soap to clean the Running Boards.



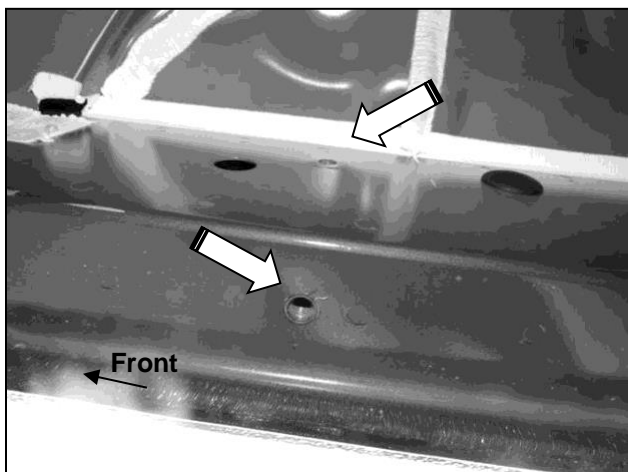


(Fig 2) Remove plastic plugs to uncover threaded inserts

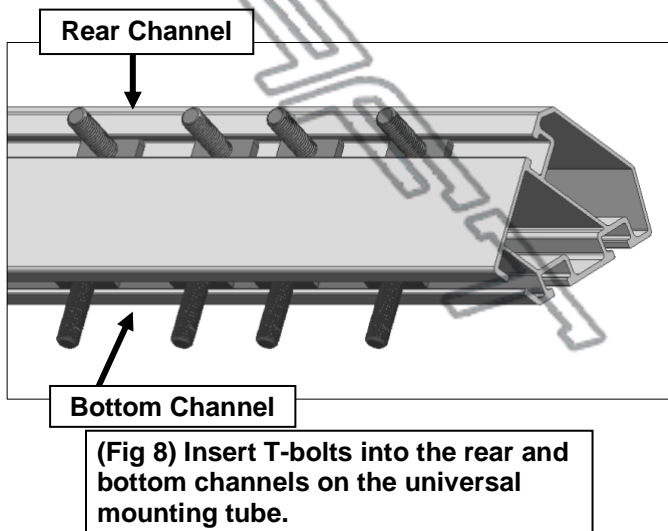
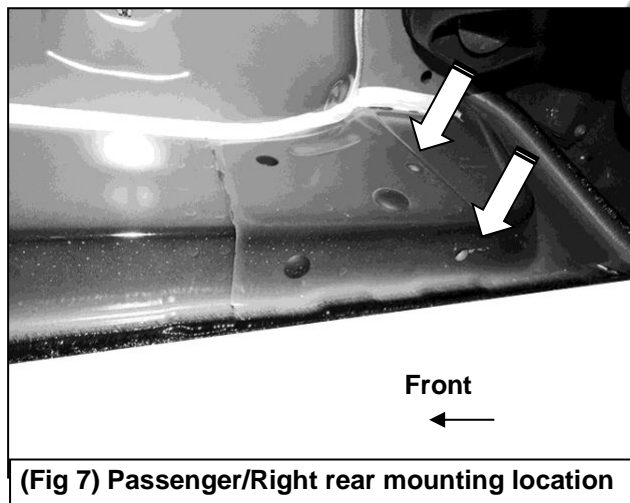
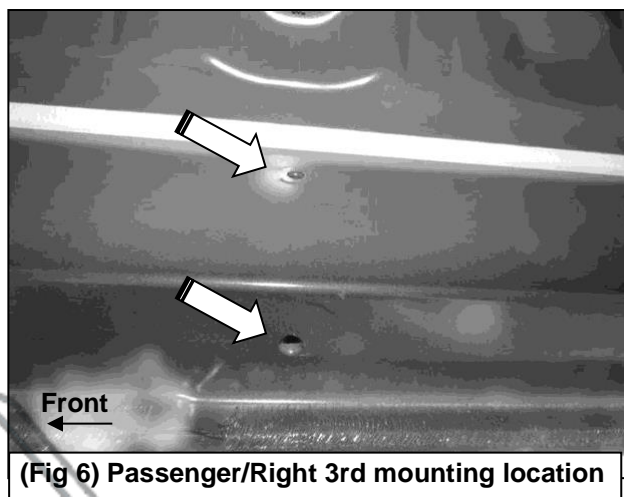
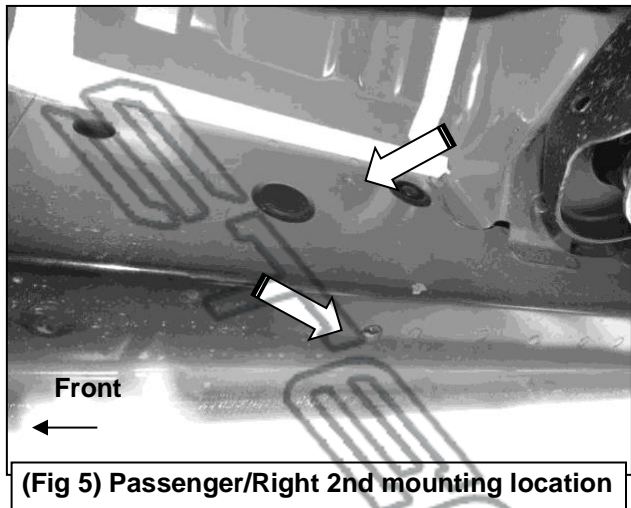
- (2) 8mm Hex Bolts
- (2) 8mm Lock Washers
- (2) 8mm Flat Washers

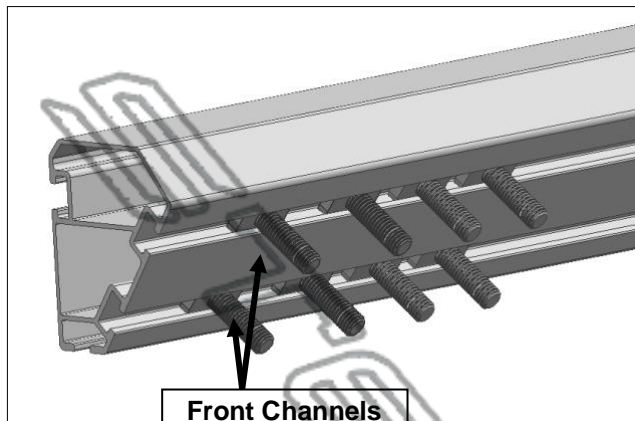


(Fig 3) Attach (1) Mounting Bracket to the mounting location

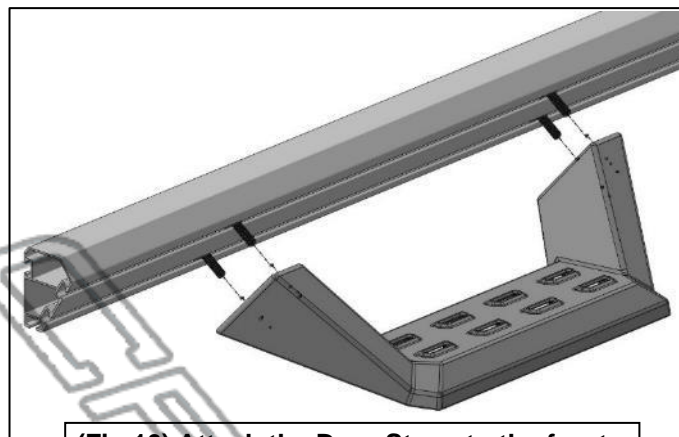


(Fig 4) Passenger/Right front mounting location

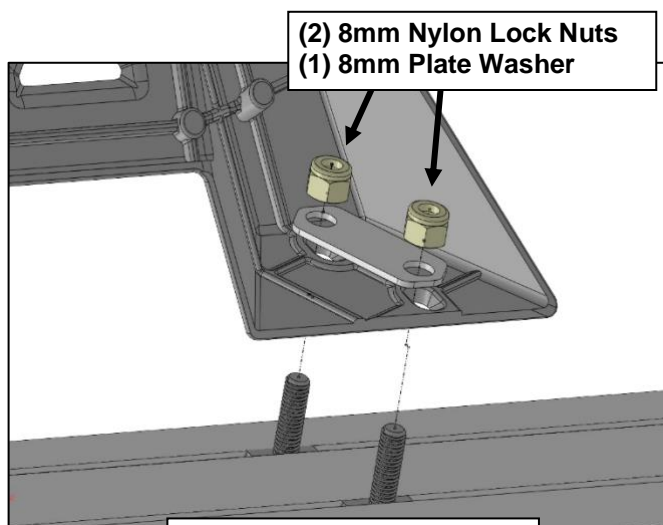




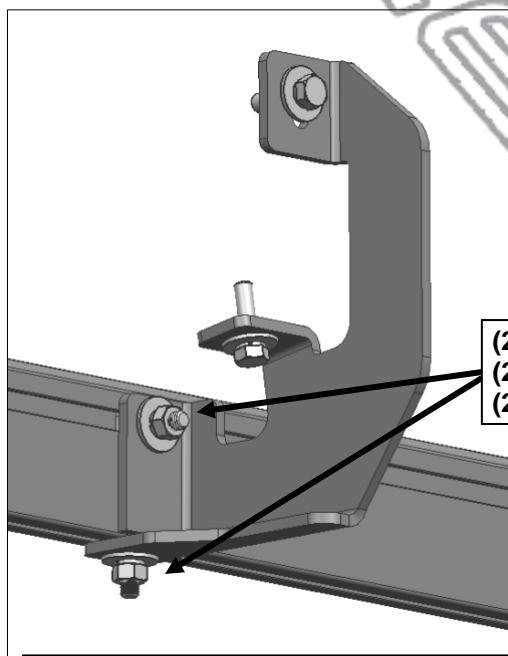
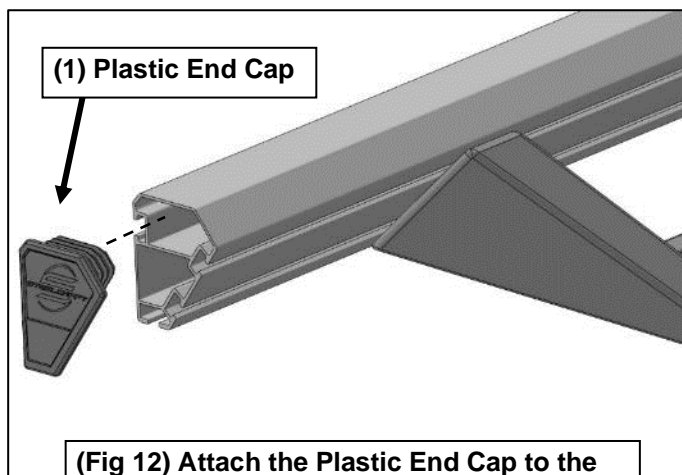
(Fig 9) Insert T-bolts into the Front channels on the universal mounting tube.



(Fig 10) Attach the Drop Steps to the front channels of the Universal Mounting Tube.



(Fig 11) Attach the Drop Steps to the 8mm T-bolts.



(Fig 13) Attach the Universal Mounting Tube to the Mounting Brackets.



(Fig 14) Universal Mounting Tube attached to the Mounting Bracket.