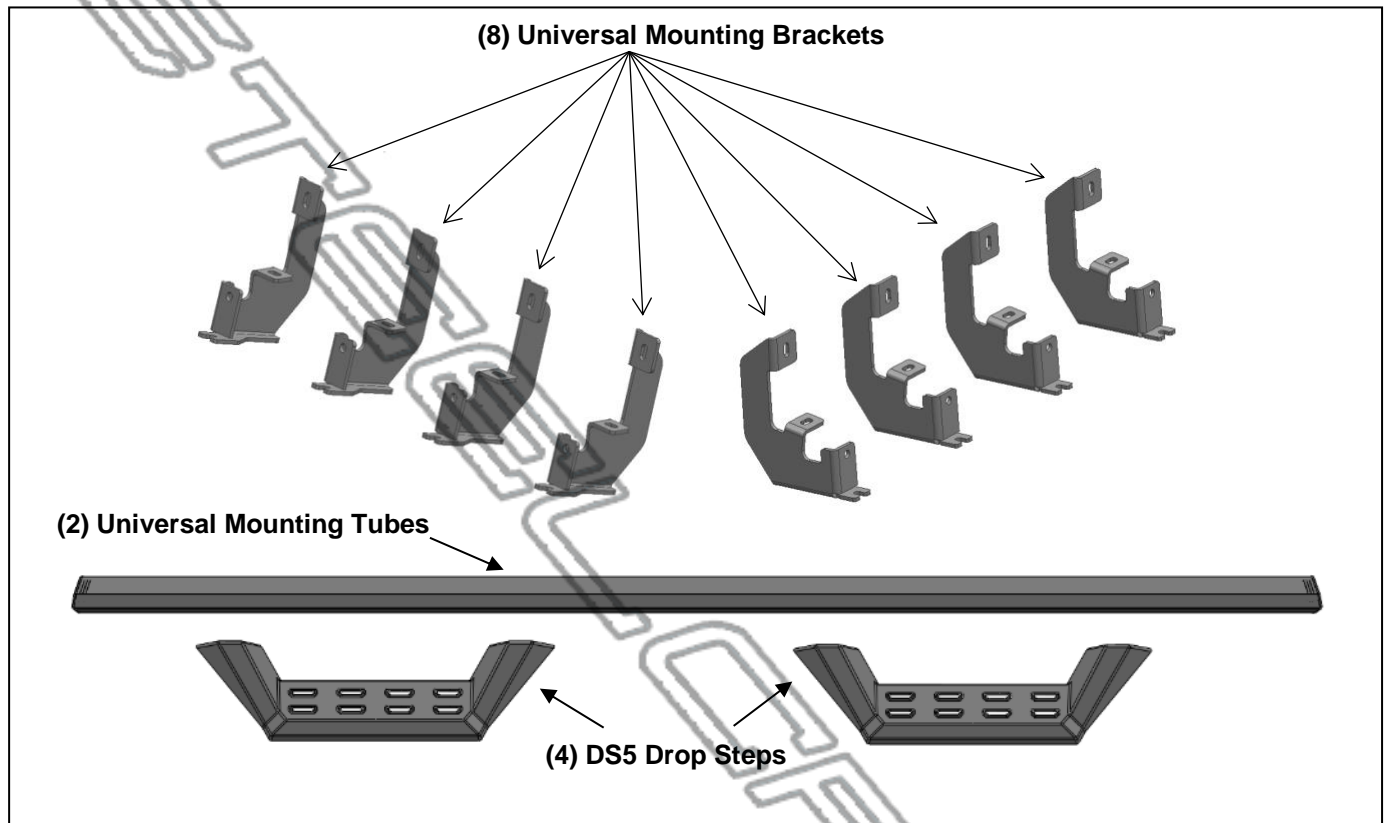


PARTS LIST:

2	Universal Mounting Tubes (78")	32	8mm x 25mm T-Bolts
2	Plastic End Caps(Left)	32	8mm x 24mm x 2mm Flat Washers
2	Plastic End Caps(Right)	32	8mm Lock Washers
4	DS5 Drop Steps	16	8mm Hex Nuts
8	Universal Mounting Brackets	16	8mm Nylon Lock Nuts
8	Plate Washers	16	8mm x 30mm Hex Bolts



PROCEDURE:

REMOVE CONTENTS FROM BOX. VERIFY ALL PARTS ARE PRESENT. READ INSTRUCTIONS CAREFULLY. ASSISTANCE IS RECOMMENDED.

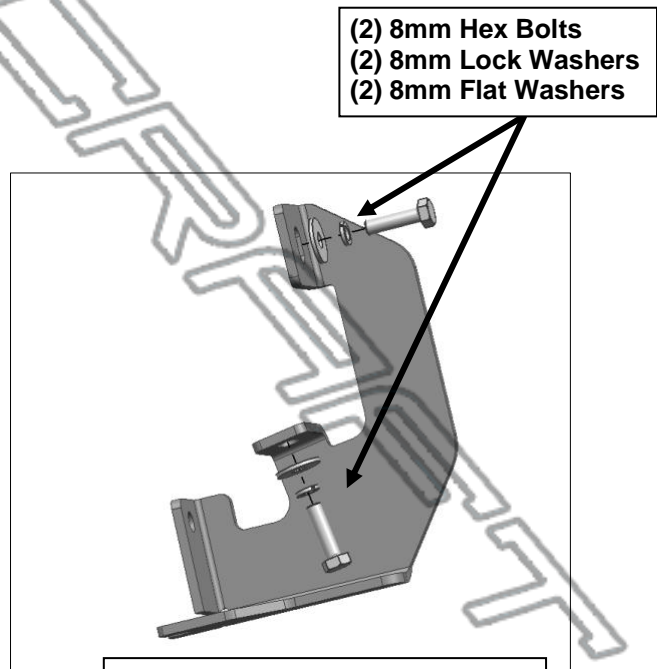
1. Start the installation under the Passenger/Right side of the vehicle. Locate the 4 plugs along the bottom edge of the body. Mounting Brackets will attach to all threaded mounting holes, **(Figure 1)**. Remove the plastic plugs from each mounting location. Directly above each threaded hole is a top mounting location on the side of the body panel. Hold a Bracket up in place to help determine the mounting holes to use along the body. **NOTE:** Thread an 8mm Hex Bolt into the threaded holes to clear paint as required.
2. Select (1) Universal Mounting Bracket. Attach the Mounting Bracket to the factory threaded holes with (2) 8mm Hex Bolts, (2) 8mm Lock Washers and (2) 8mm Flat Washers, **(Figure 2)**. Do not tighten hardware.
3. Move along the body to the next mounting location. Repeat **Steps 1 & 2** to attach the remaining (3) Passenger/Right Mounting Bracket to the (3) remaining locations.
4. Select the Universal Mounting Tube. Select (8) 8mm T-bolts. Insert the T-bolts into the rear and bottom channels of the Universal Mounting Tube, **(Figure 3)**. Guide the T-bolts to the general position of the Mounting Brackets.
5. Take (8) 8mm T-bolts. Insert the T-bolts into the front channels of the Universal Mounting Tube **(Figure 4)**. Each front channel should have (4) T-bolts, which corresponds to the holes on the DS5 Drop Steps.
6. Attach the DS5 Drop Steps to the Universal Mounting Tube. Each DS5 Drop Step uses (2) 8mm Plate Washers and (4) 8mm Nylon Lock Nuts, **(Figure 5—6)**. Do not tighten hardware. While the hardware is not tightened, the Drop Steps will slide along the length of the channels.

7. Take (2) Plastic End Caps. Insert the correctly oriented Plastic End Caps onto the ends of the Universal Mounting Tube, **(Figure 7)**. It is recommended to secure one end and to use a rubber mallet to carefully tap the Plastic End Caps into place on the other end. Inspect the installed Plastic End Caps to see if they are facing the correct direction.
8. Attach the Universal Mounting Tube to the Mounting Brackets. Each Mounting Bracket uses (2) 8mm Flat Washers, (2) 8mm Lock Washers and (2) 8mm Hex Nuts, **(Figure 8)**. Do not tighten hardware.
9. Level and adjust the Universal Mounting Tube and tighten all hardware.
10. Adjust the DS5 Drop Steps by sliding them to the desired positions. Tighten all hardware to secure the Drop Steps in place.
11. Repeat **Steps 1—10** to attach the other Running Board.
12. Do periodic inspections to the installation to make sure that all hardware is secure and tight.

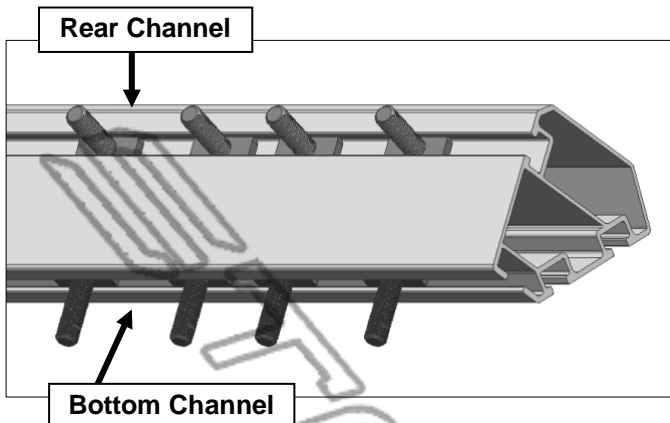
To protect your investment, Do not use any type of polish or wax that may contain abrasives that could damage the finish. Use only mild soap to clean the Running Boards.



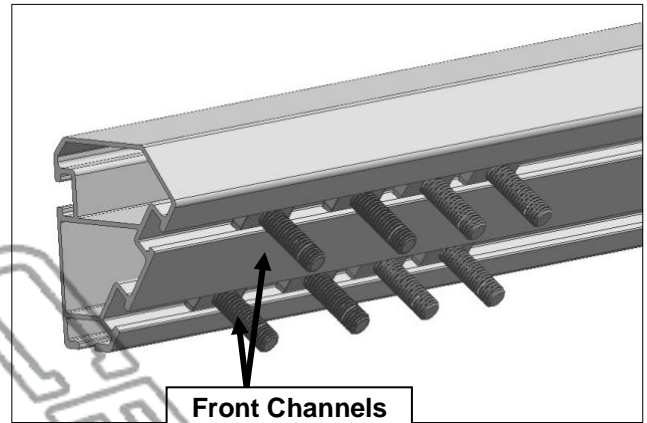
(Fig 1) Remove plastic plugs (arrows) to uncover threaded holes in floor



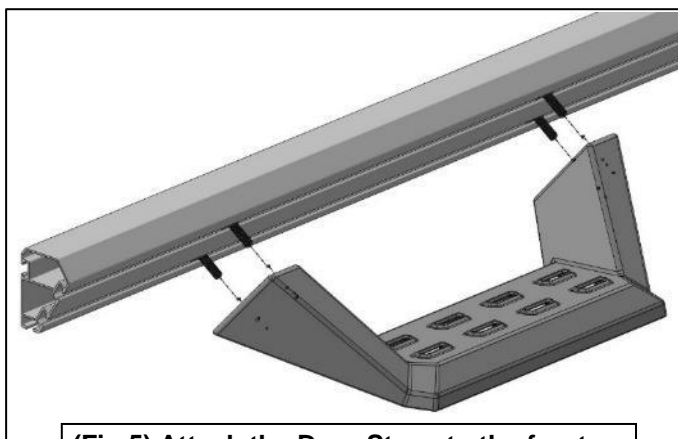
(Fig 2) Attach (1) Mounting Bracket to the mounting location



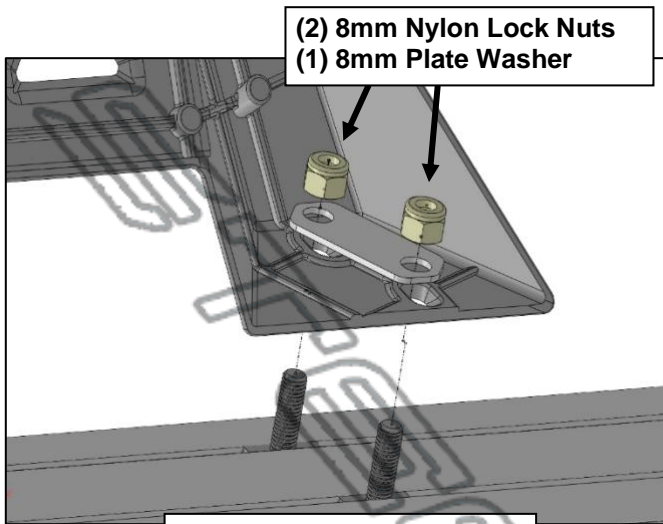
(Fig 3) Insert T-bolts into the rear and bottom channels on the universal mounting tube.



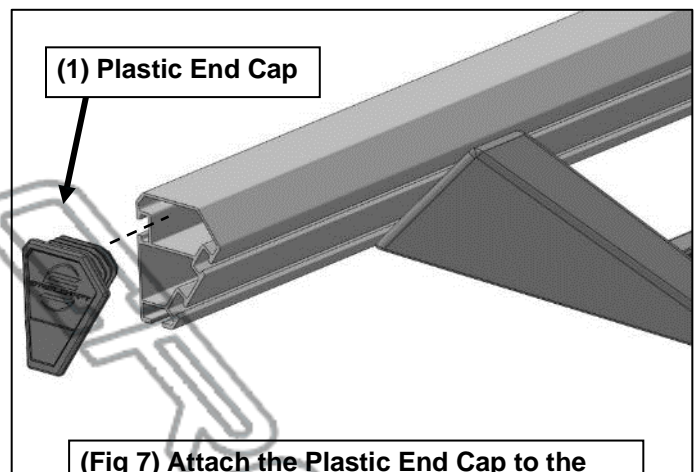
(Fig 4) Insert T-bolts into the Front channels on the universal mounting tube.



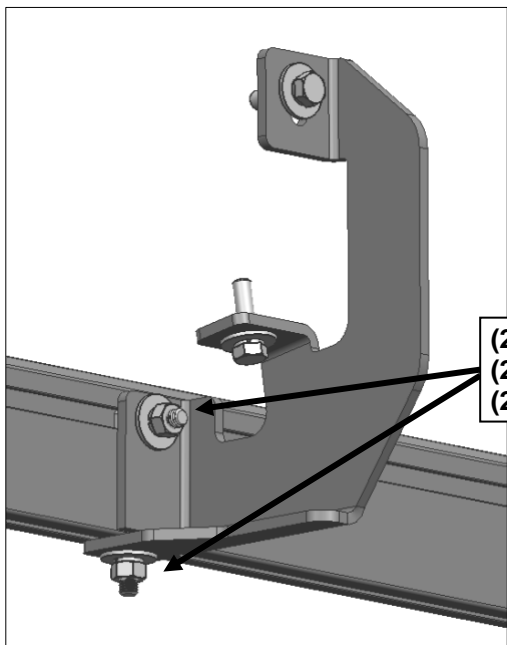
(Fig 5) Attach the Drop Steps to the front channels of the Universal Mounting Tube.



(Fig 6) Attach the Drop Steps to the 8mm T-bolts.



(Fig 7) Attach the Plastic End Cap to the end of the Universal Mounting Tube.



(Fig 8) Attach the Universal Mounting Tube to the Mounting Brackets.