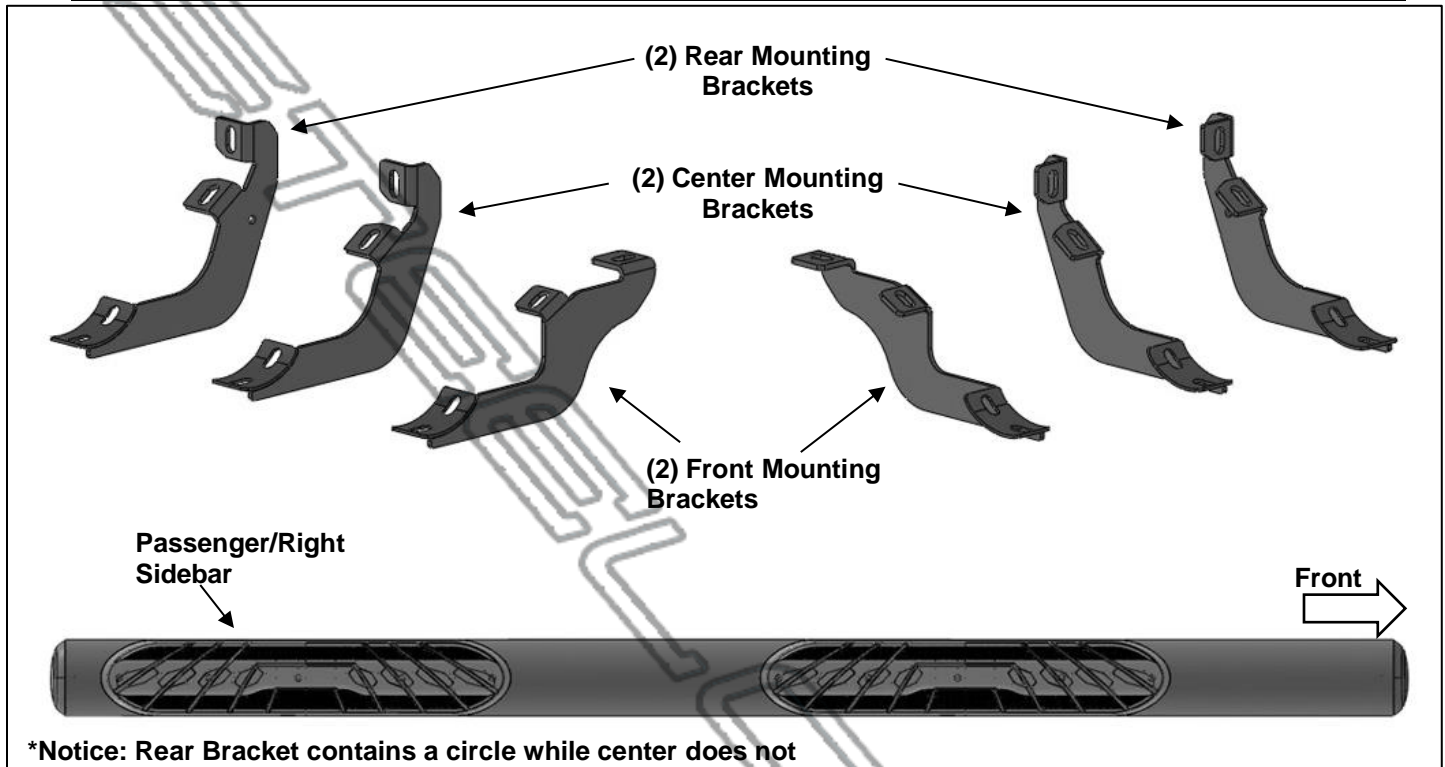


## UPGRADED 4INCH OVAL STRAIGHT SIDEBARS 2021 FORD BRONCO 4DR

### PARTS LIST:

1	Driver/Left Sidebar	12	10mm x 30mm Hex Bolts
1	Passenger/Right Sidebar	12	10mm Lock Washers
2	Front Mounting Brackets	12	10mm x 27mm OD x 3mm Flat Washers
2	Center Mounting Brackets	12	8mm x 25mm Combo Bolts
2	Rear Mounting Brackets		



### PROCEDURE:

1. REMOVE CONTENTS FROM BOX. VERIFY ALL PARTS ARE PRESENT. READ INSTRUCTIONS CAREFULLY BEFORE STARTING INSTALLATION.
2. Starting from underneath the Passenger/Right body panel, locate the front mounting location and the threaded holes in the body panel, **(Figure 1)**. Remove the plastic plugs covering the holes.
3. Select the Passenger/Right Front Mounting Bracket. Attach the Mounting Bracket to the front location with (2) 10mm Hex Bolts, (2) 10mm Lock Washers and (2) 10mm Flat Washers, **(Figure 2)**. Do not tighten hardware.
4. Repeat **Steps 2 & 3** to attach (1) Center Mounting Bracket and (1) Rear Mounting Bracket to the center and rear locations, **(Figures 3—6)**. Do not tighten hardware.
5. Select the Passenger/Right Sidebar. Place the Sidebar onto the cradles of the Mounting Brackets. **IMPORTANT:** Do not rotate or slide the Sidebar front to back or damage to the finish may result. Attach the Sidebar to the Mounting Brackets with (6) 8mm Combo Bolts, **(Figure 7)**. Do not tighten hardware.
6. Level and adjust the Sidebar and tighten all hardware.
7. Repeat **Steps 1—6** to attach the Driver/Left Sidebar.
8. Do periodic inspections to the installation to make sure that all hardware is secure and tight.

**To protect your investment,** Do not use any type of polish or wax that may contain abrasives that could damage the finish. Mild soap may be used to clean the Sidebars.

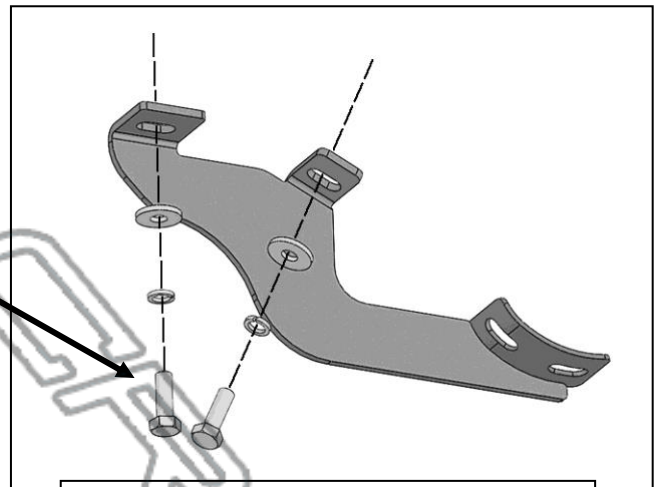
**UPGRADED 4INCH OVAL STRAIGHT SIDEBARS  
2021 FORD BRONCO 4DR**

**Passenger/Right side Installation Pictured**

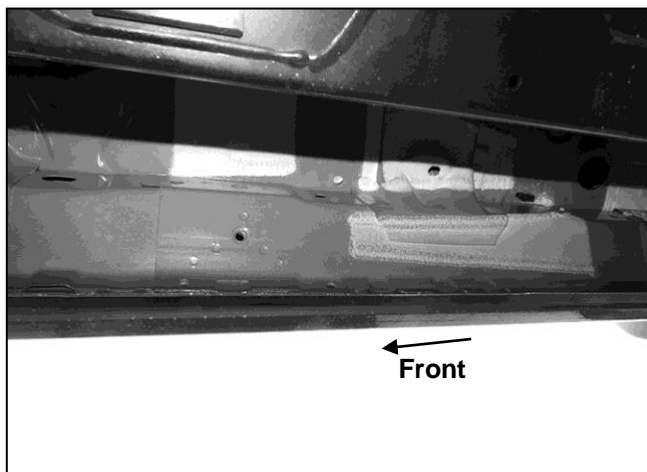


**(Fig 1) Passenger/Right Front mounting location**

- (2) 10mm Hex Bolts**
- (2) 10mm Lock Washers**
- (2) 10mm Flat Washers**



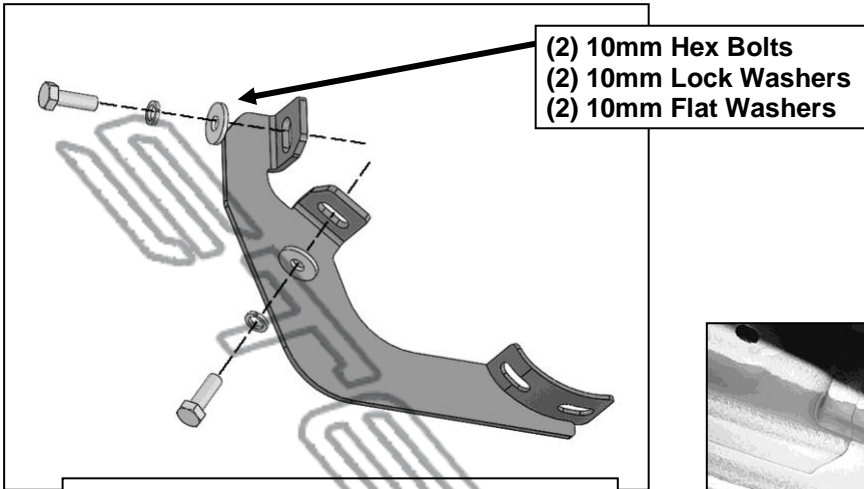
**(Fig 2) Attach the Passenger/Right Front Mounting Bracket to the front location**



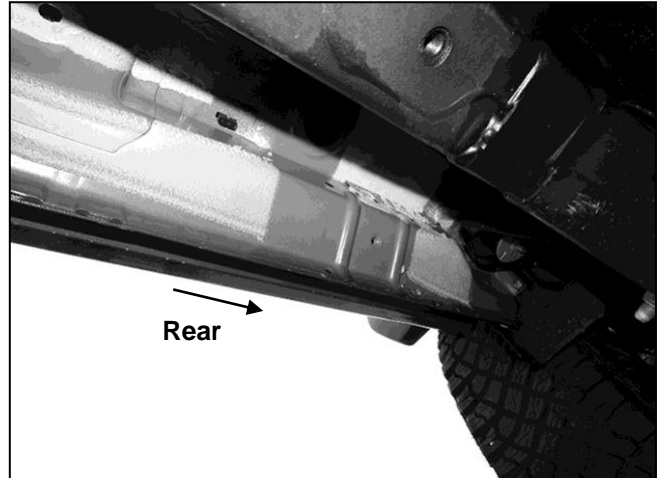
**(Fig 3) Passenger/Right Center mounting location**

UPGRADED 4INCH OVAL STRAIGHT SIDEBARS  
2021 FORD BRONCO 4DR

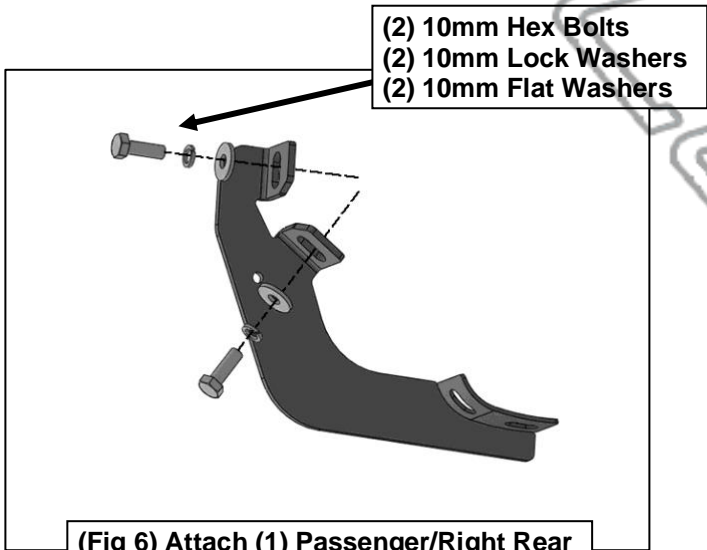
Passenger/Right side Installation Pictured



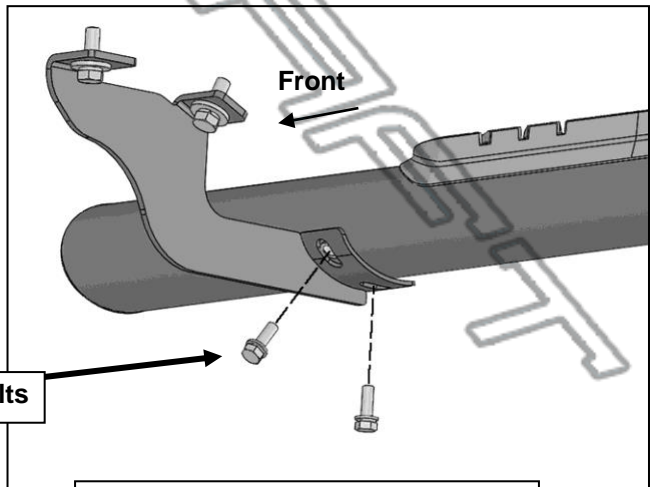
(Fig 4) Attach (1) Passenger/Right Center Mounting Bracket to the Center location



(Fig 5) Passenger/Right Rear mounting location



(Fig 6) Attach (1) Passenger/Right Rear Mounting Bracket to the Rear location



(Fig 7) Attach the Passenger/Right Sidebar to the Mounting Brackets