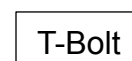
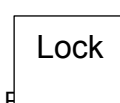
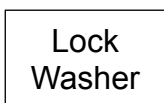
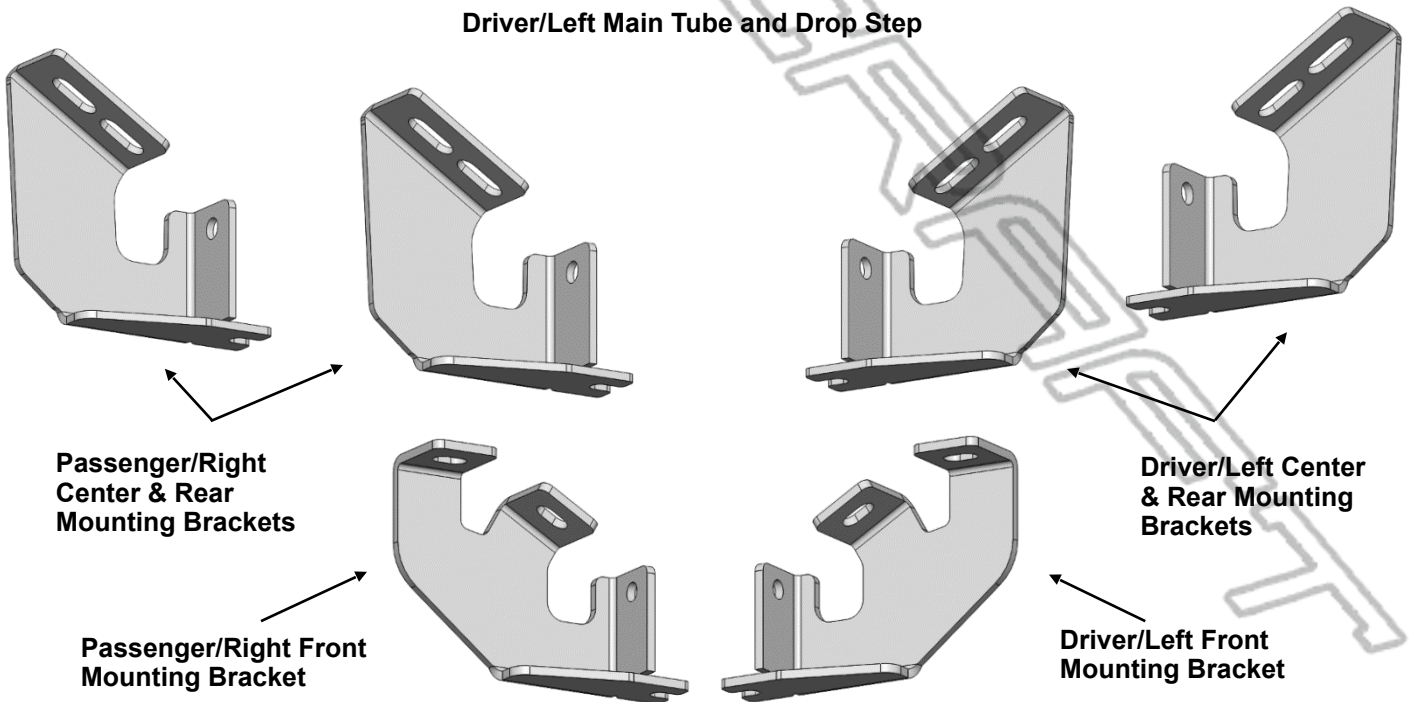
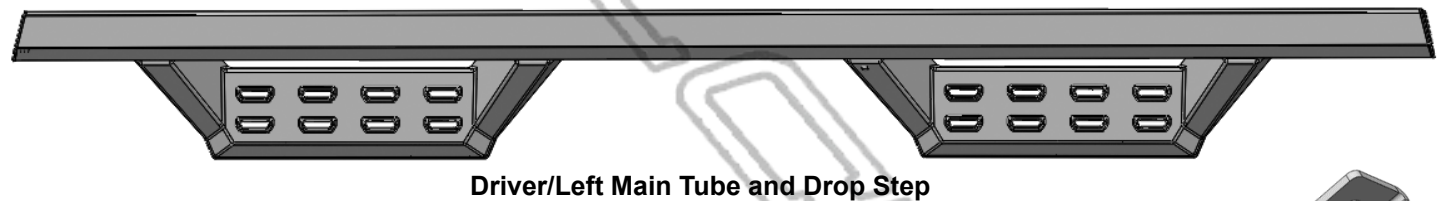
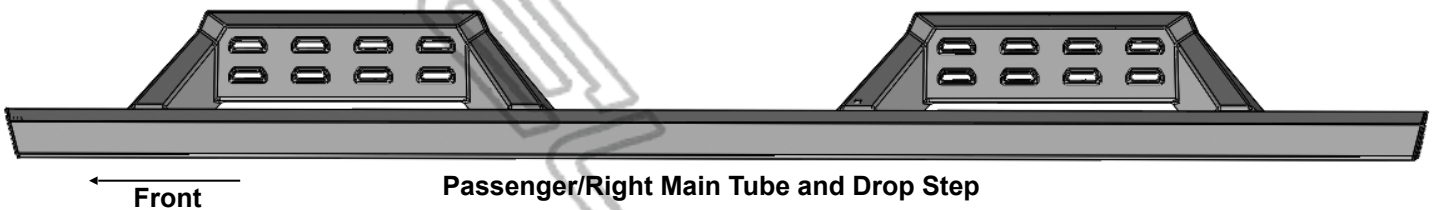
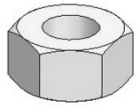


Installation Instructions

PARTS LIST:

Qty	Item Description	Qty	Item Description
1	DS Main Tube	1	PS Front Mounting Brackets
1	PS Main Tube	8	Spacers
4	DS5 Drop Steps	12	8-1.25mm x 30mm Hex Bolts
2	End Cap (left)	28	8x20mm T-Bolts
2	End Cap (right)	24	8mm Lock Washers
2	DS Center/rear Mounting Brackets	12	8mm Hex Nuts
1	DS Front Mounting Brackets	24	8mm x 24mm x 2mm Flat Washers
2	PS Center/rear Mounting Brackets	16	8mm Nylon Lock Nuts

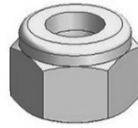




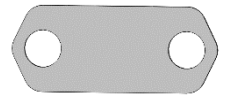
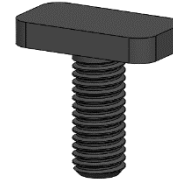
Hex Nut



Flat Washer



Hex



Spacer

TOOLS REQUIRED



Ratchet



13mm Socket



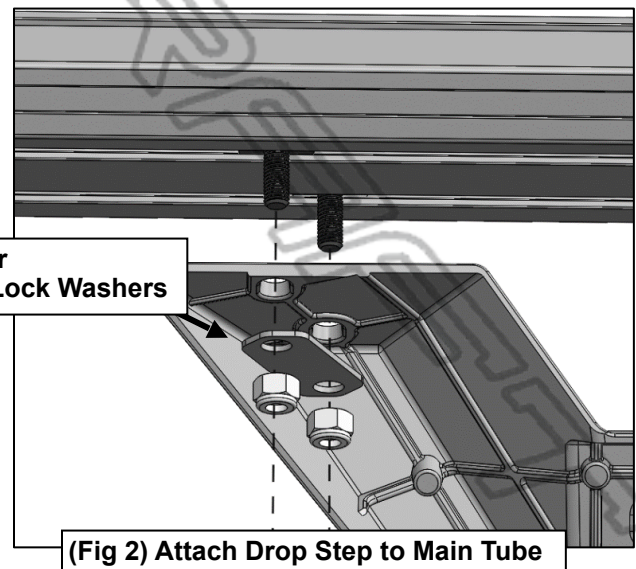
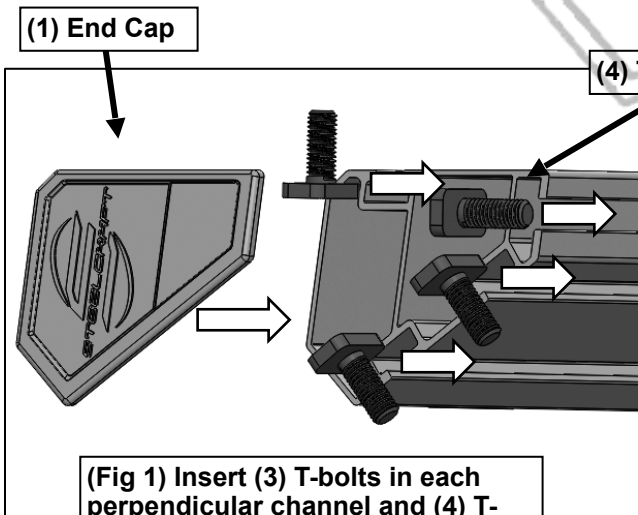
Extensions

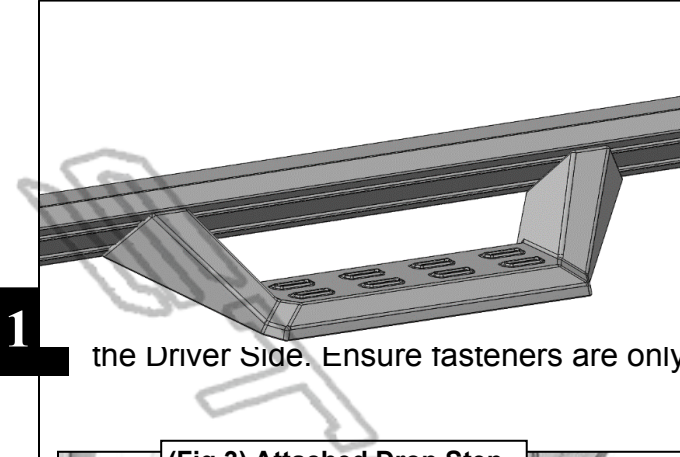


Wrench

1

Follow (Fig 1 – 3) to attach Drop Step to Main Tube and prepare Main Tube for installation. Repeat for the remaining 3 Drop Steps. Ensure fasteners are only hand tight at this point.

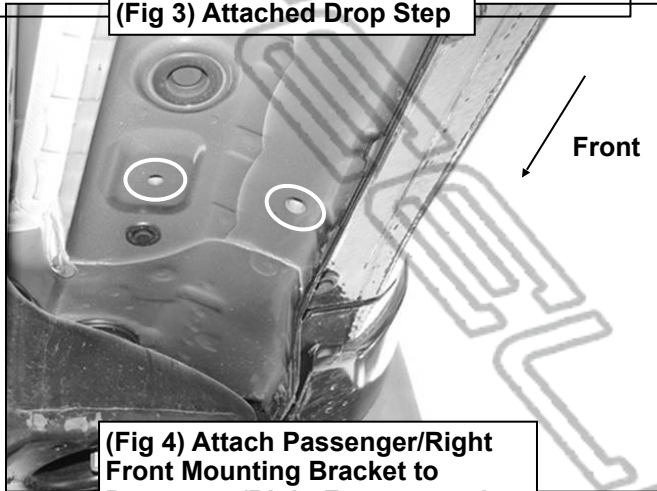




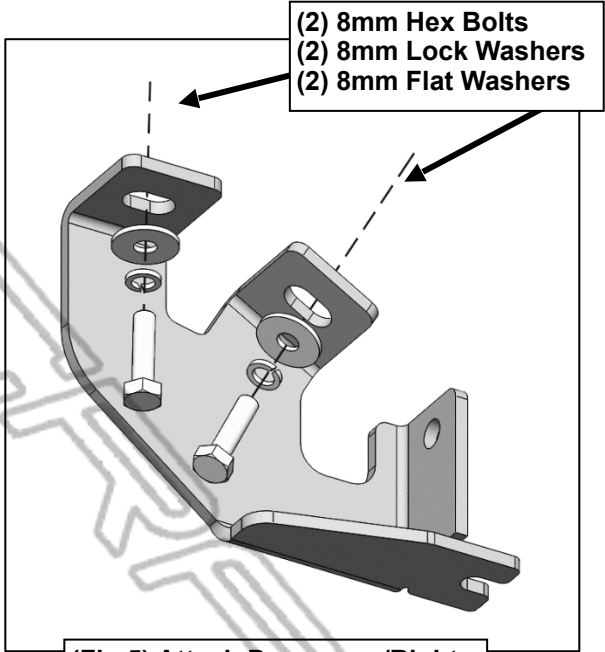
1

the Driver Side. Ensure fasteners are only hand tight at this point. to the Passenger Side. Repeat the following steps on

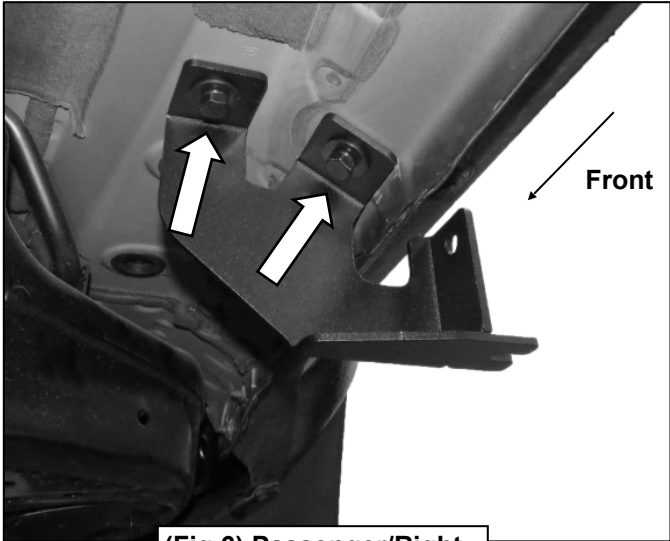
(Fig 3) Attached Drop Step



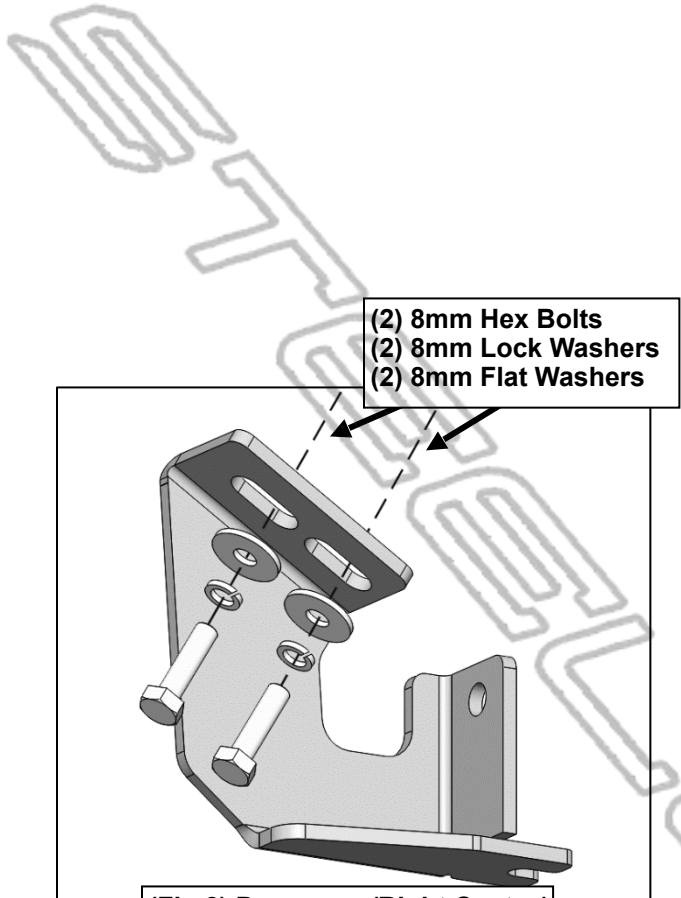
(Fig 4) Attach Passenger/Right Front Mounting Bracket to Passenger/Right Front mounting location using threaded inserts



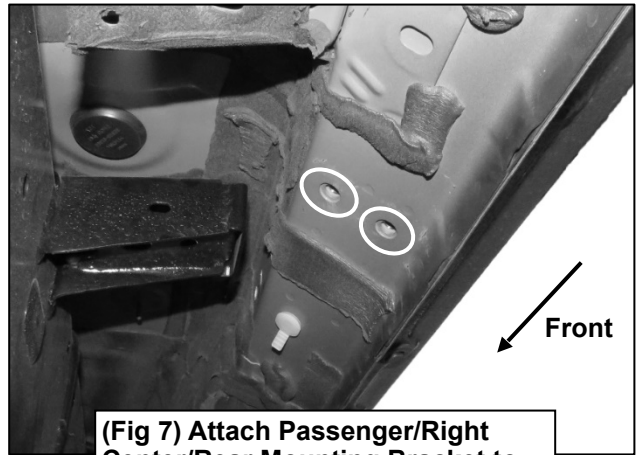
(Fig 5) Attach Passenger/Right Front Mounting Bracket



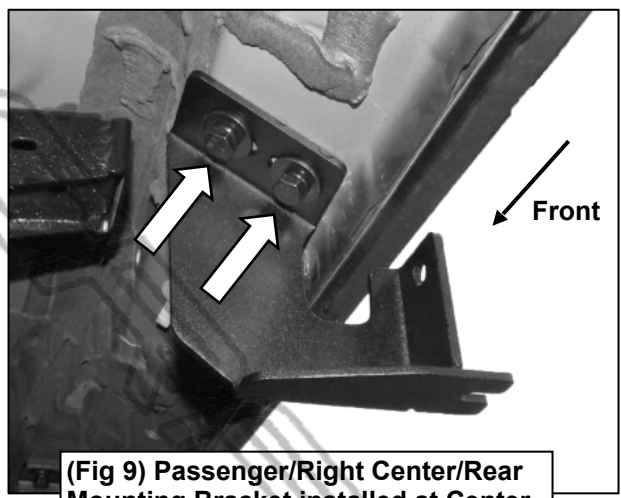
(Fig 6) Passenger/Right Front Bracket installed



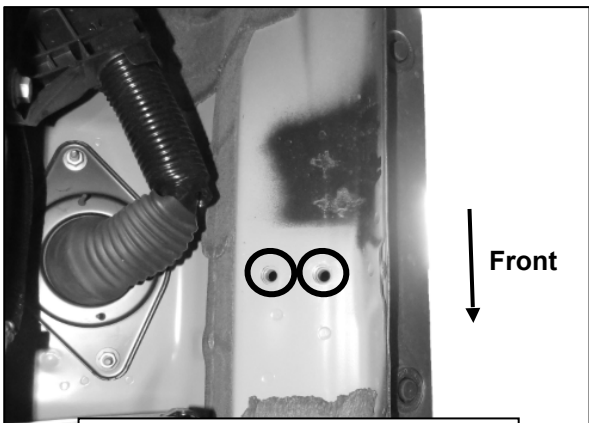
(Fig 8) Passenger/Right Center/Rear Mounting Bracket



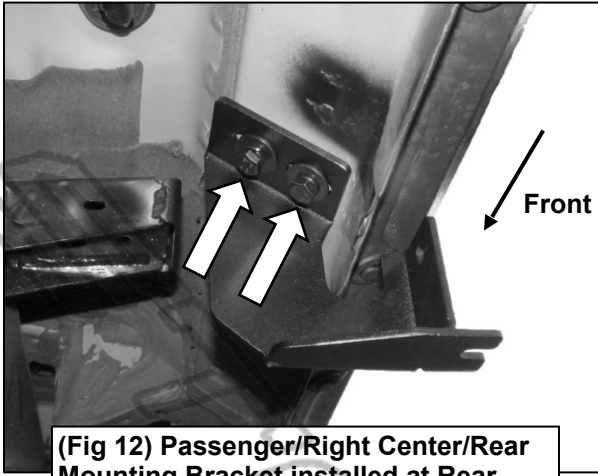
(Fig 7) Attach Passenger/Right Center/Rear Mounting Bracket to Passenger/Right Center mounting location using threaded inserts



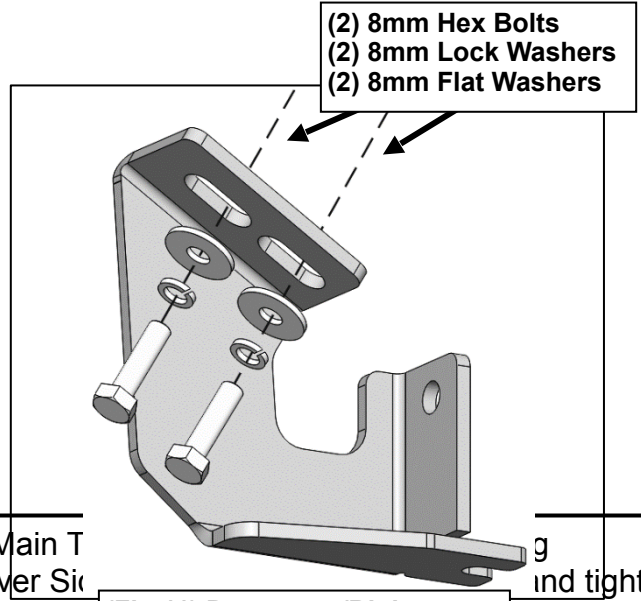
(Fig 9) Passenger/Right Center/Rear Mounting Bracket installed at Center



(Fig 10) Attach Passenger/Right Center/Rear Mounting Bracket to Passenger/Right Rear mounting location using threaded inserts



(Fig 12) Passenger/Right Center/Rear Mounting Bracket installed at Rear

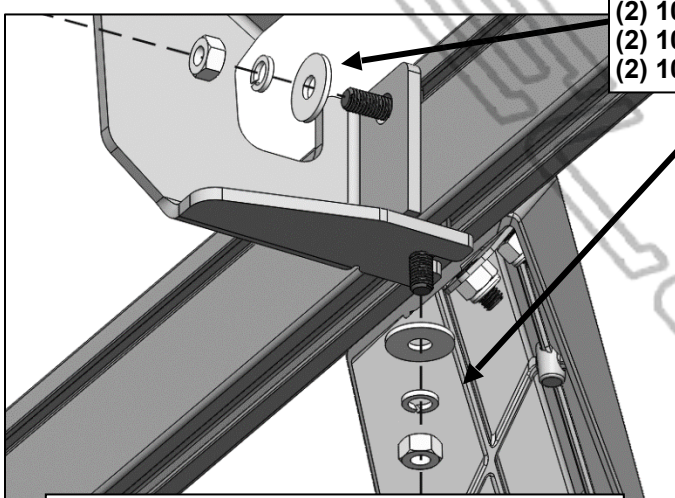


- (2) 8mm Hex Bolts
- (2) 8mm Lock Washers
- (2) 8mm Flat Washers

(Fig 11) Passenger/Right Center/Rear Mounting Bracket

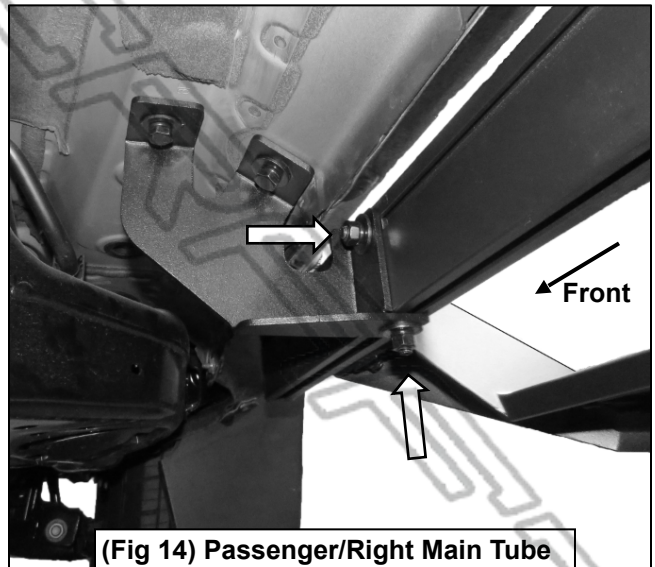
2

Follow (Fig 13 – 14) to attach Passenger Side Main T Brackets. Repeat the following steps on the Driver Side at this point.



- (2) 10mm Hex Bolts
- (2) 10mm Lock Washers
- (2) 10mm Flat Washers

(Fig 13) Attach Passenger/Right Main Tube to all Passenger/Right Mounting Brackets



(Fig 14) Passenger/Right Main Tube attached to Mounting Bracket

3

Level and straighten Drop Step and Main Tube, then tighten all fasteners. At this point, installation is complete. Do periodic inspections of the installation to make sure that all hardware is secure and tight.

