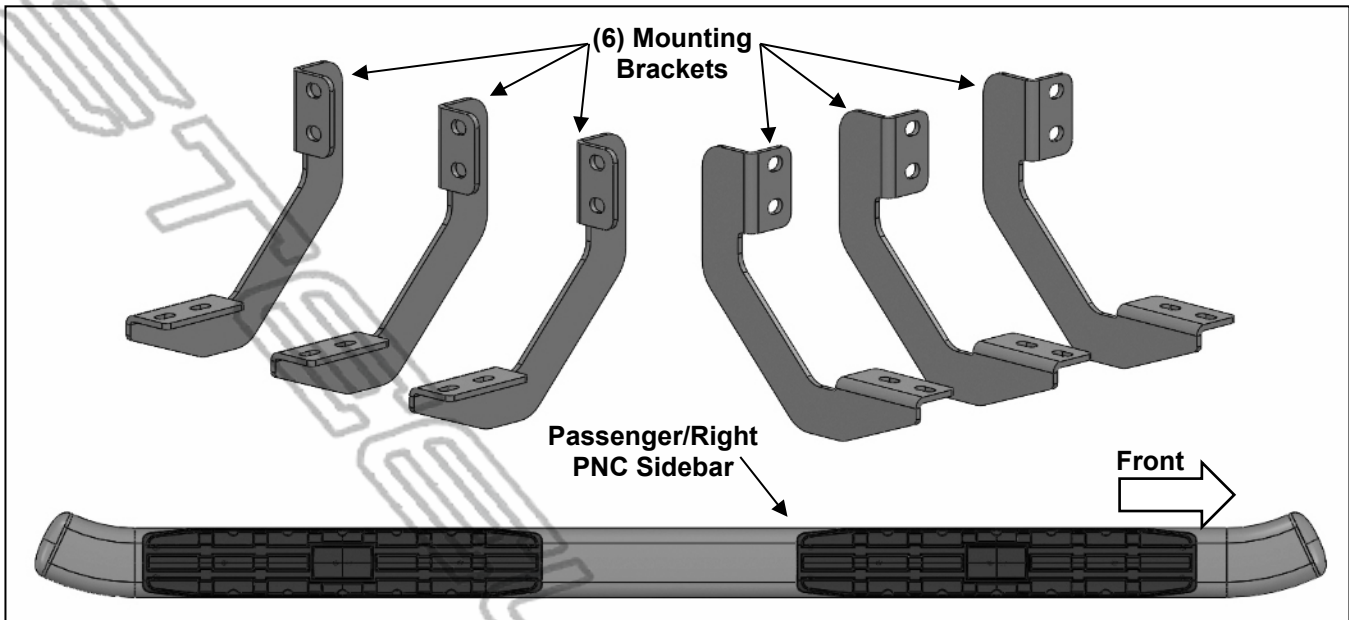


PARTS LIST:

1	Driver/Left PNC Sidebar	12	8-1.25mm x 25mm Combo Bolts
1	Passenger/Right PNC Sidebar	12	8mm x 24mm OD x 2mm Flat Washers
6	Mounting Brackets	12	8mm Flange Nuts

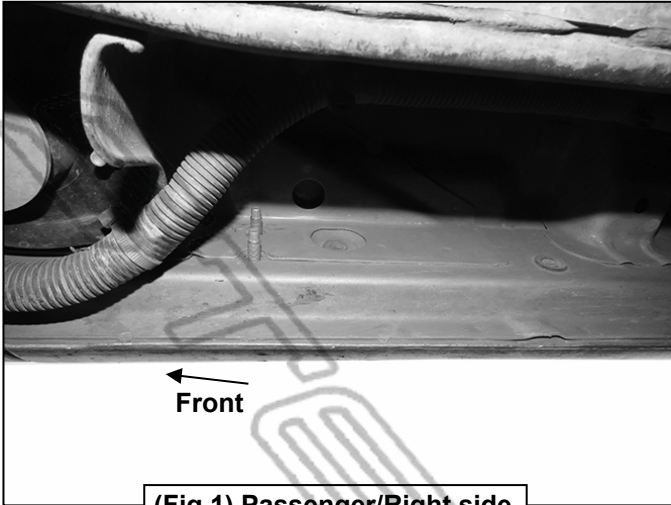


PROCEDURE:

1. REMOVE CONTENTS FROM BOX. VERIFY ALL PARTS ARE PRESENT. READ INSTRUCTIONS CAREFULLY. CLEAN MOUNTING STUDS WITH WIRE BRUSH TO REMOVE PAINT AND DEBRIS.
2. Starting on the Passenger/Right side front of the vehicle, (**Figure 1**). Attach (1) Mounting Bracket to the front location with (2) 8mm Flat Washers and (2) 8mm Flange Nuts, (**Figure 2**). Do not tighten hardware at this time.
3. Repeat **Step 2** to attach (2) Mounting Brackets to the Passenger/Right center and rear locations, (**Figures 3 & 4**).
4. Select the Passenger/Right Sidebar. Carefully place Sidebar on the brackets. **IMPORTANT:** Do not slide or rotate Sidebar on cradles, or damage to the finish may result. Attach Sidebar to the Mounting Brackets with (6) 8mm Combo Bolts, (**Figures 5 & 6**). Do not tighten hardware at this time.
5. Level and adjust the Sidebar and tighten all hardware.
6. Repeat **Steps 1—5** to attach the Driver/Left Sidebar.
7. Do periodic inspections to the installation to make sure that all hardware is secure and tight.

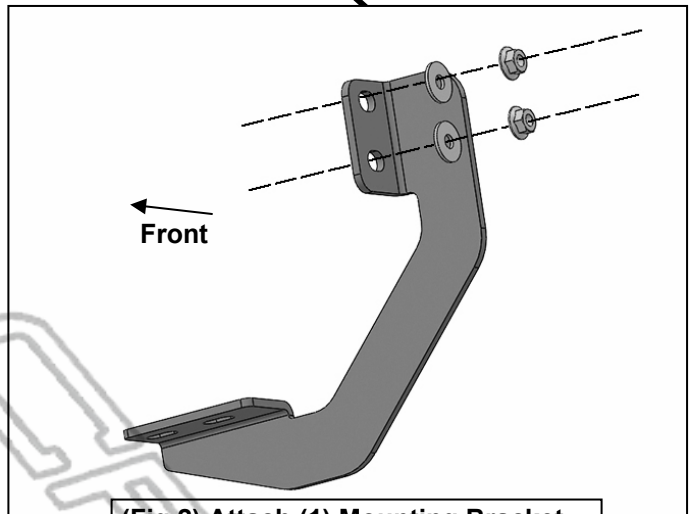
To protect your investment, Do not use any type of polish or wax that may contain abrasives that could damage the finish. Mild soap may be used to clean the Sidebar.

Passenger/Right Side Installation Pictured

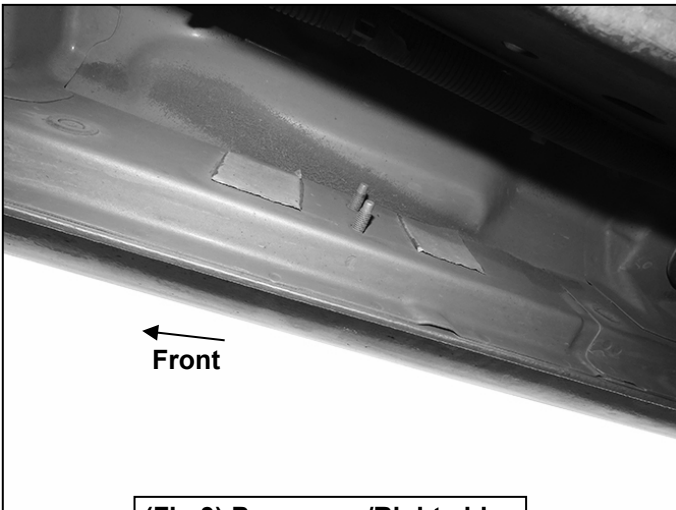


(Fig 1) Passenger/Right side front mounting location

- (2) 8mm Flat Washers
- (2) 8mm Flange Nuts

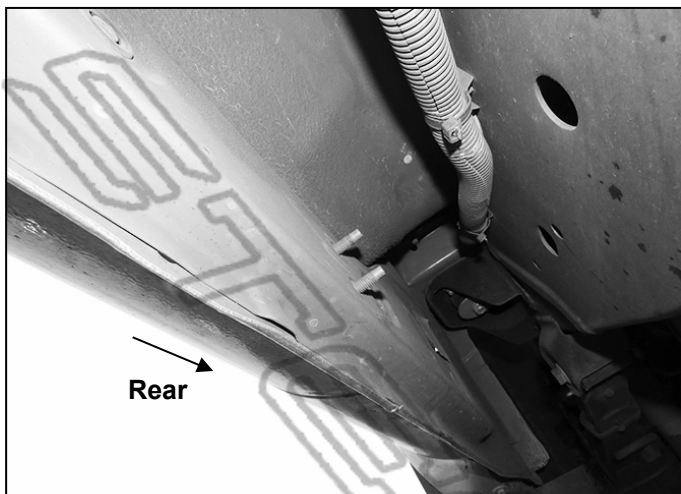


(Fig 2) Attach (1) Mounting Bracket to the Passenger/Right front location

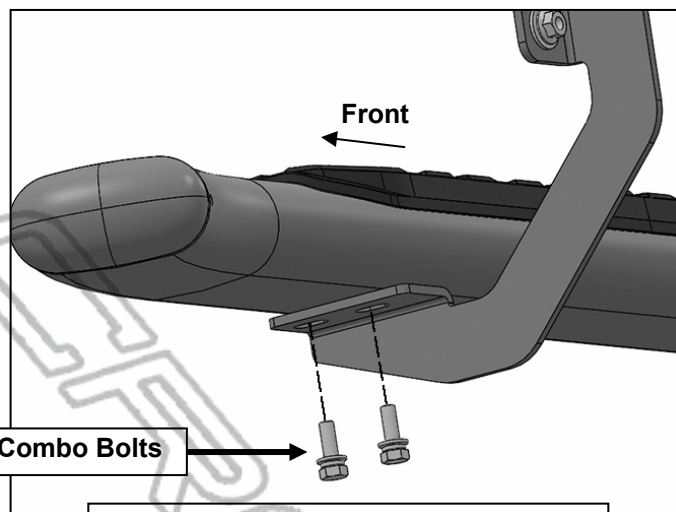


(Fig 3) Passenger/Right side center mounting location

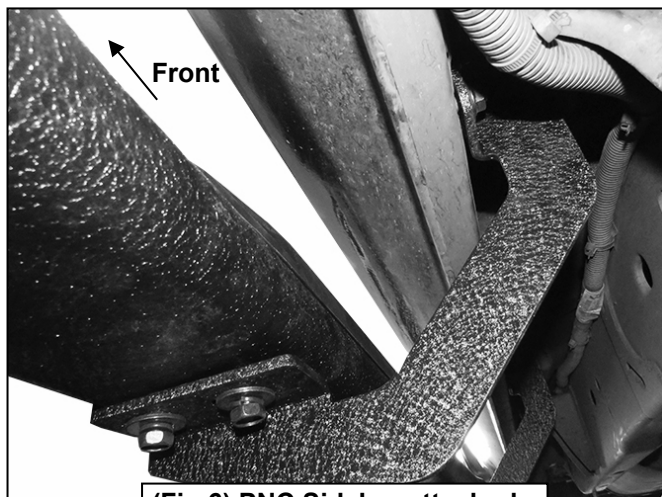
Passenger/Right Side Installation Pictured



(Fig 4) Passenger/Right side rear mounting location



(Fig 5) Attach the Passenger/Right PNC Sidebar to the Mounting Brackets



(Fig 6) PNC Sidebar attached to the Front Mounting Bracket