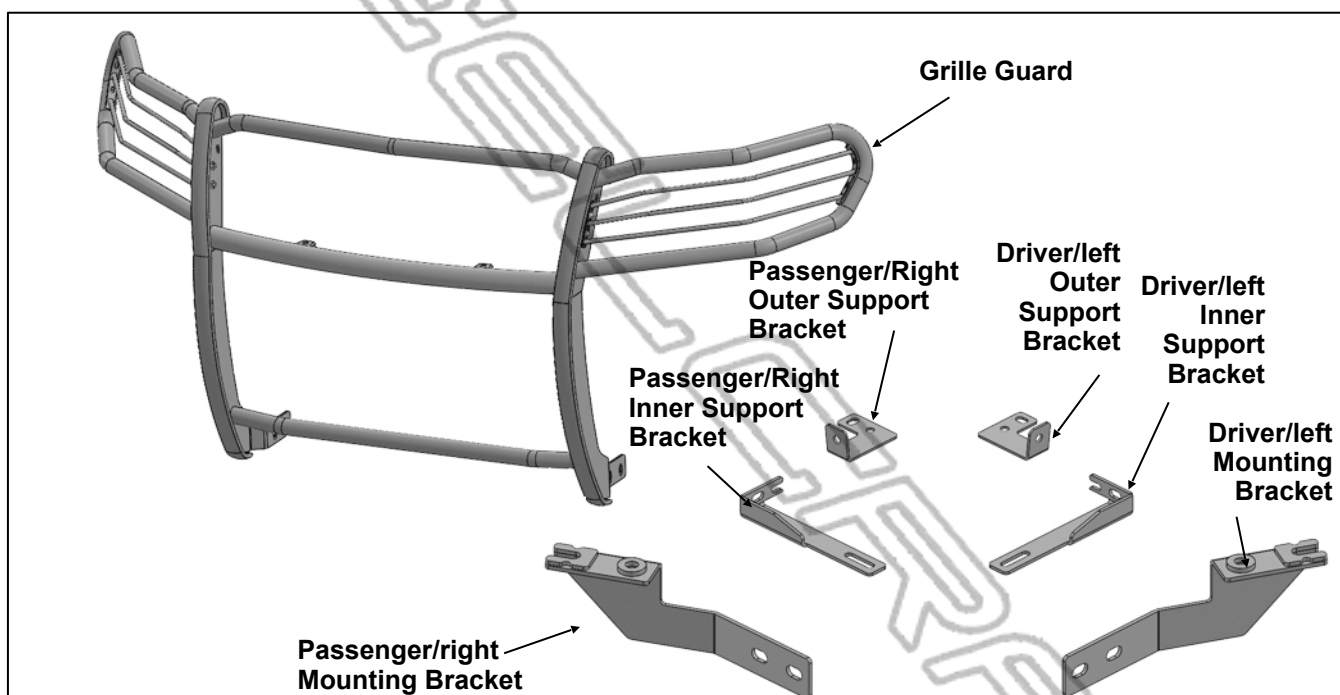


**GRILLE GUARD**  
**2021-22 JEEP GRAND CHEROKEE L/ 2022 GRAND CHEROKEE**

**PARTS LIST:**

1	Grille Guard	4	10mm Lock Washers
1	Driver/Left Mounting Bracket	4	10mm Hex Nuts
1	Passenger/Right Mounting Bracket	8	8mm x 25mm Button Head Bolts
1	Driver/Left Inner Support Bracket	12	8mm x 24mm OD x 2mm Flat Washers
1	Passenger/Right Inner Support Bracket	2	8mm x 16mm OD x 1.6mm Flat Washers
1	Driver/Left Outer Support Bracket	8	8mm Lock Washers
1	Passenger/Right Outer Support Bracket	6	8mm Hex Nuts
4	10mm x 35mm Hex Bolts	2	8mm Flange Nuts
8	10mm x 30mm OD x 2.5mm Flat Washers	1	5mm Hex Wrench



**PROCEDURE:**

**REMOVE CONTENTS FROM BOX. VERIFY ALL PARTS ARE PRESENT. READ INSTRUCTIONS CAREFULLY BEFORE STARTING INSTALLATION. ASSISTANCE IS RECOMMENDED. CUTTING IS REQUIRED.**

1. Locate the hardware that connects the wheel well to the front bumper. Temporarily remove and set aside in a safe area, **(Figure 1)**. Unplug the wire harnesses located behind the front bumper, **(Figure 2)**.
2. From under the hood of the vehicle, remove the hardware attaching the plastic panel to the top of the cross member, **(Figure 3)**.
3. Gently pry the front of the fenders from the body of the vehicle, **(Figure 4)**.
4. From under the bumper, remove the hardware connecting to the splash guard, **(Figure 5)**.
5. Remove the hardware attaching the grille to the top cross member and gently remove the grille/bumper from the vehicle, **(Figure 6)**.

6. Locate the large (21mm) and small (16mm) mounting bolts attaching the Passenger/Right side outer frame end, **(Figure 8)**. **NOTE:** The “small” 16mm hex bolt is visible, the larger hex bolt is partially hidden behind the plastic bumper cover.
7. Select the Passenger/Right Mounting Bracket, **(Figure 7)**. Hold the Bracket in place over the hex bolts.
8. Remove the smaller forward hex bolt. Loosen but do not remove the larger rear hex bolt. Slide the rear slot end of the Bracket under the larger bolt, **(Figure 8)**. Reinstall the smaller hex bolt to attach the Bracket. Do not fully tighten hardware.
9. Repeat **Steps 3—5** to attach the Driver/Left Mounting Bracket.
10. Select the Passenger/Right Inner Support Bracket, **(Figure 9)**. Loosen but do not remove the hex bolt on the support strut, **(Figure 10)**. Slide the open slot on the Support Bracket under the hex bolt. Use the included (1) 8mm Button Head Bolt, (1) 8mm Lock Washer, (1) 8mm x 16mm Flat Washer and (1) 8mm Flange Nut to attach the Bracket to the support strut, **(Figure 10)**. Do not fully tighten all hardware. Repeat this **Step** to attach the Driver/Left Inner Support Bracket.
11. Select the Grille Guard. Attach the Passenger/Right Outer Support Bracket to the Guard with (1) 8mm Button Head Bolt, (2) 8mm x 24mm Flat Washers, (1) 8mm Lock Washer and (1) 8mm Hex Nut, **(Figure 12)**. Do not fully tighten hardware. Repeat this **Step** to attach the Driver/Left Outer Support Bracket.
12. Attach the bottom of the Grille Guard to the Mounting Brackets with (4) 10mm Hex Bolts, (8) 10mm Flat Washers, (4) 10mm Lock Washers and (4) 10mm Hex Nuts, **(Figures 13 & 14)**. Do not fully tighten hardware.
13. Attach the Grill Guard to the Inner Support Brackets with (4) 8mm Button Head Bolts, (8) 8mm x 24mm Flat Washers, (4) 8mm Lock Washers and (4) 8mm Hex Nuts, **(Figure 15)**. Do not fully tighten hardware.
14. Level and adjust the Grille Guard, then tighten **ONLY** to the hardware attached to the vehicle. Temporarily remove the Grille Guard, then reattach the grille and bumper sliding the Inner Support Brackets through the grille holes, **(Figure 11)**. Reattach the Grille Guard. Level and adjust, then tighten **ALL** hardware.
15. Trace the outline of the Mounting Brackets onto the plastic cover under the bumper where the Mounting Brackets interfere, **(Figure 16)**. Use a sharp knife or hacksaw blade to cut out a small section of the bumper cover, **(Figure 16)**.
16. Do periodic inspections to the installation to make sure that all hardware is secure and tight.

**To protect your investment**, Do not use any type of polish or wax that may contain abrasives that could damage the finish. Mild soap may be used to clean the Grille Guard.

### Passenger/right Side Installation Pictured

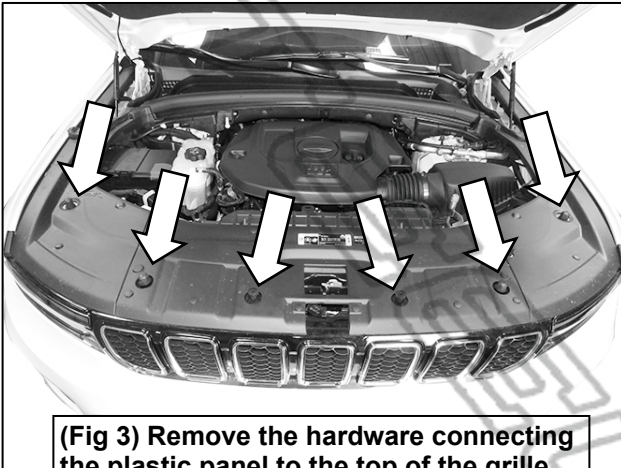


**(Fig 1) Remove the hardware connecting the wheel well to the front bumper**



**(Fig 2) Unplug the wire harnesses behind both sides of the front bumper**

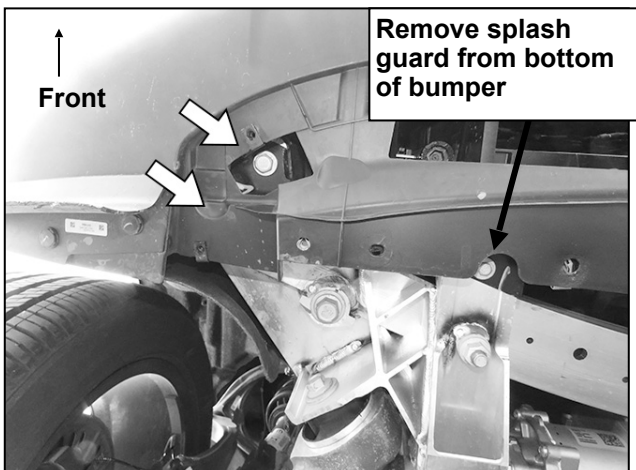
Passenger/right Side Installation Pictured



(Fig 3) Remove the hardware connecting the plastic panel to the top of the grille



(Fig 4) Gently pry the front of the fender front the bumper



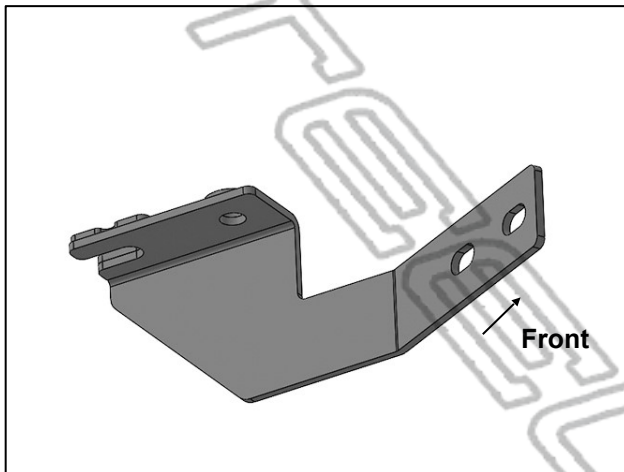
Remove splash guard from bottom of bumper

(Fig 5) Remove splash guard. Locate the large 21mm (under plastic cover) and small 16mm (visible) hex bolts (arrows)



(Fig 6) Remove the hardware connecting the top of the grille to the crossbar. Gently pry the grille and bumper from the vehicle

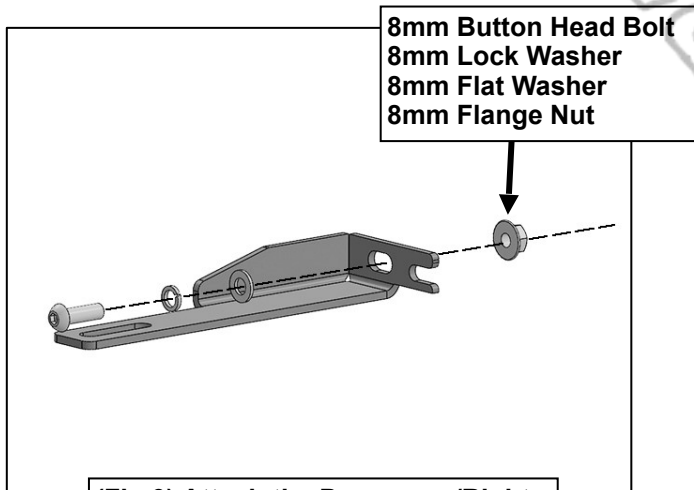
Passenger/right Side Installation Pictured



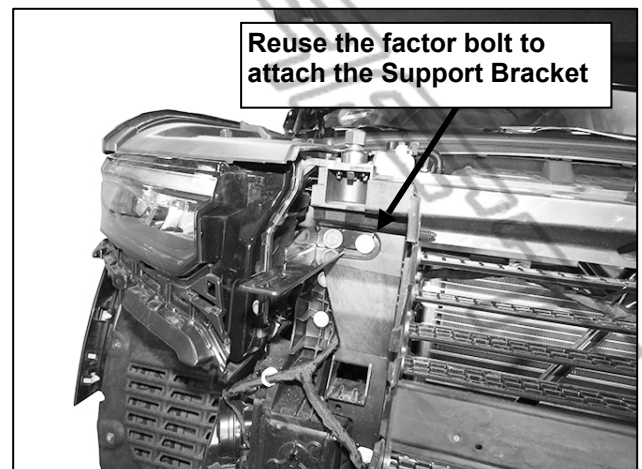
(Fig 7) Passenger/Right Mounting Bracket

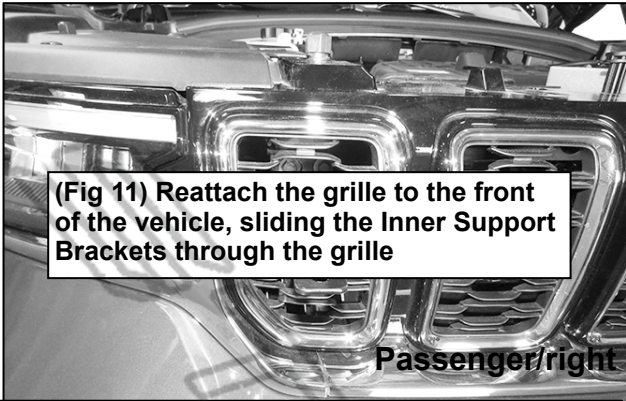


(Fig 8) Reuse the hardware to attach the Passenger/right Mounting Bracket



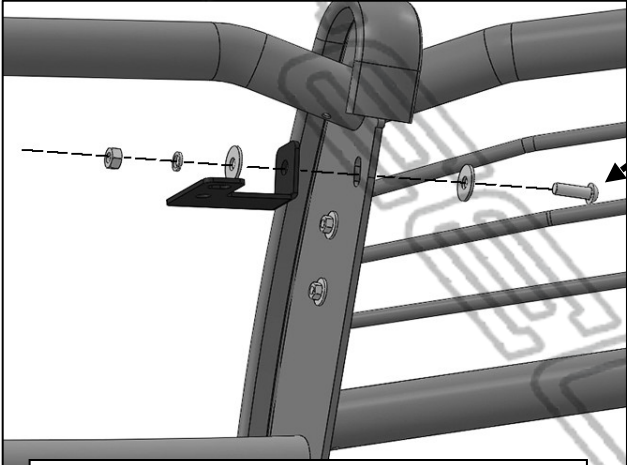
(Fig 9) Attach the Passenger/Right Inner Support Bracket to the strut





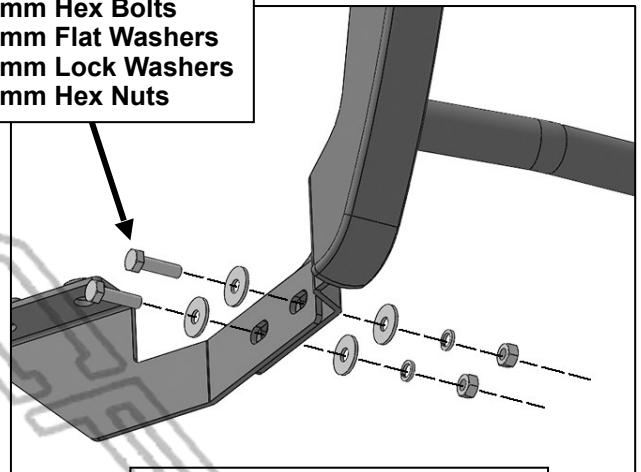
(Fig 10) Passenger/right Inner Support Bracket attached to the support strut

Passenger/right Side Installation Pictured

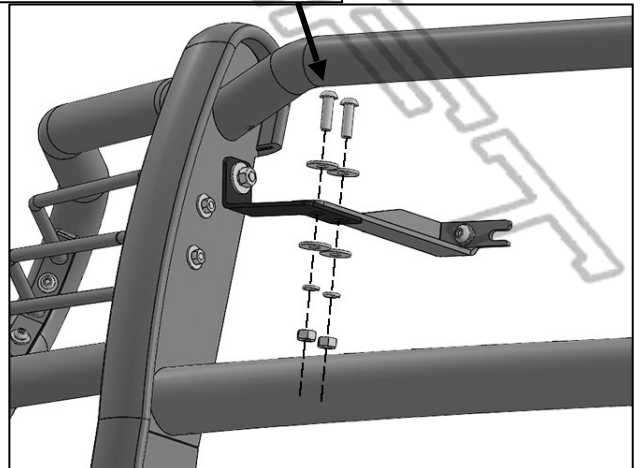


- 8mm Button Head Bolt
- (2) 8mm Flat Washers
- 8mm Lock Washer
- 8mm Hex Nut

- (2) 10mm Hex Bolts
- (4) 10mm Flat Washers
- (2) 10mm Lock Washers
- (2) 10mm Hex Nuts



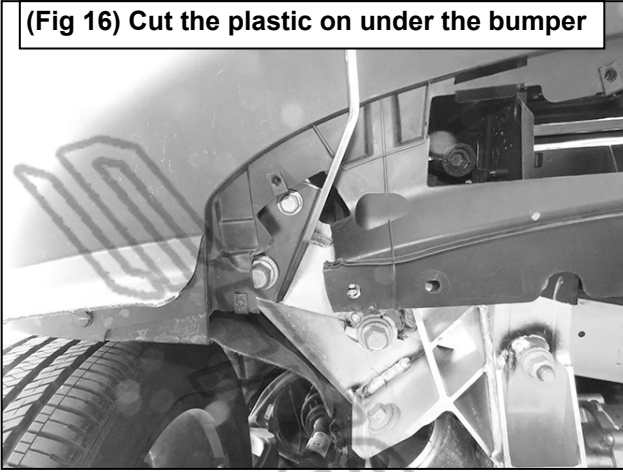
- (2) 8mm Button Head Bolts
- (4) 8mm Flat Washers
- (2) 8mm Lock Washers
- (2) 8mm Hex Nuts



↑  
Front

**GRILLE GUARD**  
**2021-22 JEEP GRAND CHEROKEE L/ 2022 GRAND CHEROKEE**

**(Fig 16) Cut the plastic on under the bumper**



**(Fig 15) Attach the (2) Outer Support  
Brackets to the (2) Inner Support Brackets**

