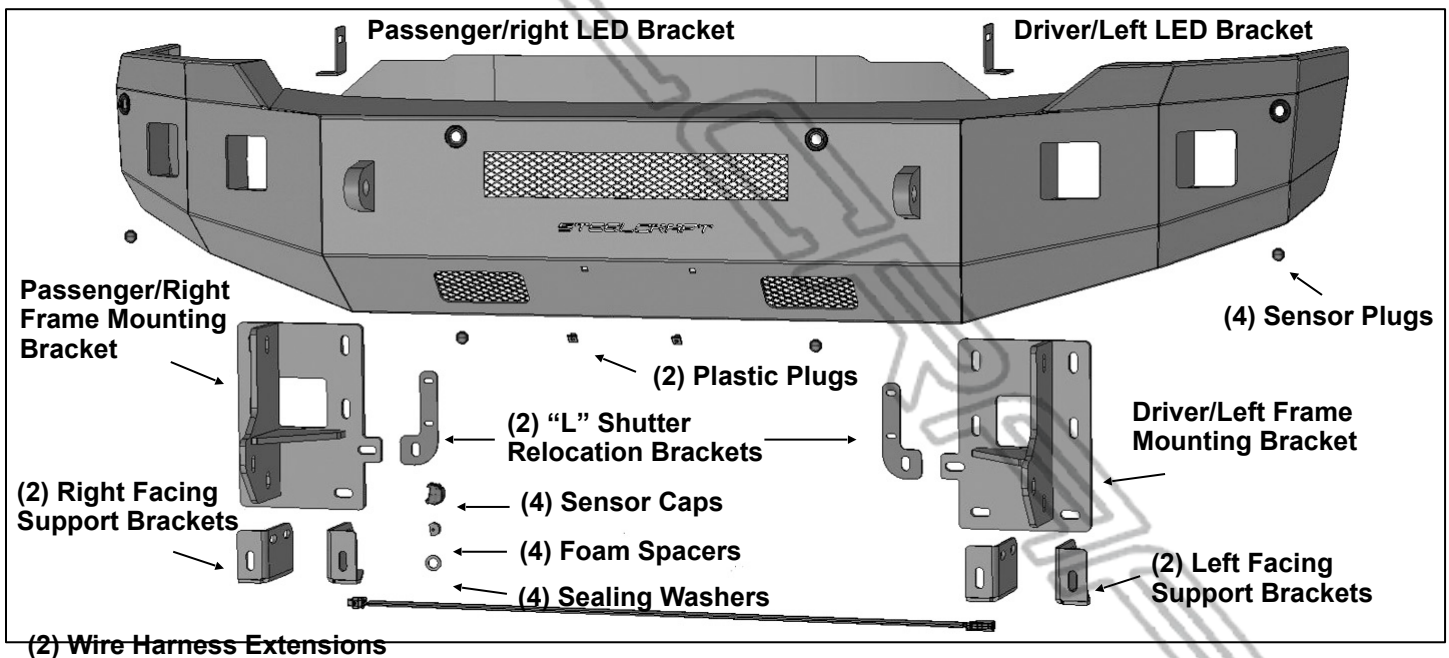


PARTS LIST:

1	Fortis Front Bumper	18	12-1.75mm x 50mm Hex Bolts
1	Driver/left Mounting Bracket	36	12mm x 32mm x 3mm Flat Washers
1	Passenger/right Mounting Bracket	18	12mm Lock Washers
2	Left Facing Support Bracket	18	12mm Hex Nuts
2	Right Facing Support Bracket	4	8-1.25mm x 30mm Hex Bolts
2	Shutter Relocation "L" Brackets	2	8-1.25mm x 16mm Hex Bolts
1	Driver/left "L" LED Bracket	10	8mm x 24mm x 2mm Flat Washers
1	Passenger/right "L" LED Bracket	6	8mm Lock Washers
4	Sensor Plugs	4	8mm Hex Nuts
4	Sealing Washers	4	6-1.0mm x 20mm Hex Bolts
4	20mm x 10mm Foam Spacers	8	6mm x 18mm x 1.6mm Flat Washers
4	Retaining Caps	4	6mm Nylon Lock Nuts
2	Sensor Wiring Harness Extensions	1	Sensor Covers Kit
2	Plastic Plugs for License Plate		



PROCEDURE:

REMOVE CONTENTS FROM BOX. VERIFY ALL PARTS ARE PRESENT. READ INSTRUCTIONS CAREFULLY BEFORE STARTING INSTALLATION. BUMPER IS HEAVY, ASSISTANCE IS HIGHLY RECOMMENDED TO AVOID POSSIBLE INJURY OR DAMAGE TO THE VEHICLE.

1. Start installation at the driver/left side of the front grille. Carefully pull the end of the body panel, (fascia), closest to the grille, outward to release it from the clips, **(Figure 1)**. Only release the forward end of the fascia, it is not necessary to remove it. Repeat this **Step** to release the passenger/right end of the fascia body panel.
2. Open the hood and remove the hood release handle and the plastic cover from the top of the radiator and the grille, **(Figure 2)**. Remove the hardware attaching the grille and pull it straight out from the

vehicle. On models with grille mounted camera, unplug harness leading to the camera and remove the grille, **(Figure 3)**. Temporarily reattach the hood release handle.

3. Unplug any wiring harnesses leading to the front bumper. Remove the license plate and bracket if equipped, **(Figure 3)**. Move all harnesses away from bumper.
4. Remove the hardware at each end of the bumper attaching the bumper supports to each side of the frame, **(Figure 4)**.
5. Place blocks or jack stands under the front bumper to support it during mounting bolt removal. Once the bumper has been safely supported, from above the bumper, remove the (2) factory upper and lower bumper bolts from each side, **(Figure 5)**. **WARNING!** Assistance is required to hold the bumper in place during bolt removal to prevent the bumper from falling. Remove the bumper assembly. Move the bumper to a clean surface
6. Remove the factory bumper brackets and tow hooks, (if equipped), from the end of frame, **(Figures 6 & 7)**. **NOTE:** Tow hooks cannot be reinstalled.
7. On models with lower radiator shutter assembly, unplug and remove the assembly, **(Figure 6)**.
8. Select (1) Left Facing Lower Support Bracket, **(Figure 8)**. Attach the Left Facing Support Bracket to the outer side of the frame with the included (2) 12mm x 50mm Hex Bolts, (4) 12mm Flat Washers, (2) 12mm Lock Washers and (2) 12mm Hex Nuts. Do not fully tighten hardware at this time. Repeat this **Step** to attach (1) Right Facing Support Bracket to the inner side of the frame, **(Figure 9)**.
9. Select the driver/left Frame Mounting Bracket, **(Figure 10)**. Reuse the factory hex bolts to attach the Bracket to the mounting plate on the end of the frame. Do not tighten hardware at this time.
10. Attach the bottom of the Frame Bracket to the front of the Support Brackets with (2) 12mm x 50mm Hex Bolt, (4) 12mm Flat Washers, (2) 12mm Lock Washers and (2) 12mm Hex Nuts, **(Figures 11 & 12)**. Do not fully tighten at this time.
11. Repeat **Steps 8—10** to install the passenger/right Frame and Support Brackets.
12. On models equipped with lower radiator shutter system, remove shutter assembly from outer plastic housing, **(Figure 13)**. Select (1) “L” Relocation Bracket. Attach the “L” Bracket to the front of the Frame Mounting Bracket with the included (1) 8mm x 30mm Hex Bolt, (2) 8mm Flat Washers and (1) 8mm Nylon Lock Nut. Repeat this Step to attach the remaining “L” Bracket, **(Figure 14)**.
13. Attach the shutter assembly to the front of the “L” Brackets with the included (4) 6mm x 20mm Hex Bolts, (8) 6mm Flat Washers and (4) 6mm Nylon Lock Nuts, **(Figures 14 & 15)**. Do not overtighten the 6mm hardware or damage to the shutter assembly may result. **NOTE:** Shutter assembly will be installed upside-down. Plug wiring harness into shutter assembly
14. **Optional Center LED light installation**, (sold separately). **NOTE:** Light may be easier to install in Bumper before Bumper Assembly is attached to Brackets.
 - a. Select the Driver side “L” Bracket, **(Figure 16)**. **NOTE:** “L” Brackets are offset for universal fitment for most LED bar style lights. Attach the Bracket to the top of the mounting tab on the back of the Bumper with the included (1) 8mm x 25mm Hex Bolt, (2) 8mm Flat Washers, (1) 8mm Lock Washer and (1) 8mm Hex Nut, **(Figure 16)**. Do not tighten hardware at this time.
 - b. Repeat Previous Step for Passenger side “L” Bracket installation.
 - c. Attach the LED Light Bar to the Brackets with (2) 8mm x 16mm Hex Bolts, (2) 8mm Lock Washers and (2) 8mm Flat Washers, **(Figure 16)**. Do not fully tighten hardware at this time.
 - d. Center and adjust light position and tighten hardware.
 - e. Follow light manufacturer’s instructions to wire the light to the vehicle’s electrical system once Bumper has been fully installed.
15. Determine if vehicle is equipped with parking sensors.

Models without bumper sensors:

- a. From the front of the Bumper, push the included Plastic Plugs into the sensor mounting holes, **(Figure 17)**.

Models with bumper mounted sensors:

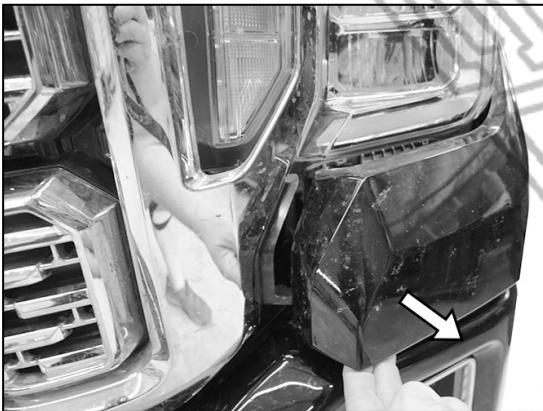
- a. Disassemble the front bumper to access the sensors and wiring harness, **(Figure 18)**. Unplug and remove sensors and wiring harness from factory bumper.
- b. Remove the silicone seal from the end of the sensor. Slide the included larger Sensor Seal over front of sensor, **(Figure 19)**.
- c. Insert sensor with Seal into sensor mount, **(Figure 20)**.
- d. Place Foam Spacer over end of sensor. Push Sensor Retaining Cap onto sensor mount and lock into mounting holes, **(Figure 20)**.
- e. Repeat previous Steps to install remaining sensors.

**FORTIS FRONT BUMPER
2020—23 GMC SIERRA 25-3500**

- f. Attach the wiring harness to the back of the Bumper and plug in all sensors.
 - g. Install the factory bumper wiring harness for sensors and fog lights if equipped. Run wiring harness through Brackets to reach sensors, **(Figure 21)**. **NOTE:** (2) Wire Harness Extensions have been included to extend the factory harness to reach the sensors as needed.
16. With assistance, position the Bumper Assembly up to and over the Brackets. Temporarily support the weight of the Bumper. **WARNING:** To avoid possible injury or damage to the vehicle, do not proceed until the Bumper is fully and safely supported.
17. Line up the (3) holes in the driver/left side mounting plate on the inside of the Bumper with the (3) slots in the Frame Bracket. Attach the Bumper to the Bracket with the included (3) 12mm x 50mm Hex Bolts, (6) 12mm Flat Washers, (3) 12mm Lock washers and (3) 12mm Hex Nuts, **(Figures 22 & 23)**. Do not fully tighten hardware at this time. Repeat this Step to attach the passenger/right side of the Bumper.
18. Level and adjust the Bumper and fully tighten all 12mm hardware to 65-70ft-lbs.
19. Use the included (2) push-in Plastic Plugs to attach the front license plate, (if required), to the (2) holes in the front Bumper, **(Figure 24)**.
20. Do periodic inspections to the installation to make sure that all hardware is secure and tight.

To protect your investment, Do not use any type of polish or wax that may contain abrasives that could damage the finish. Mild soap may be used to clean the Front Bumper assembly.

Driver/left Side Installation Pictured



(Fig 1) Pull end of plastic panel (fascia) out and away from grille. Do not remove panel, only release the end of panel covering grille

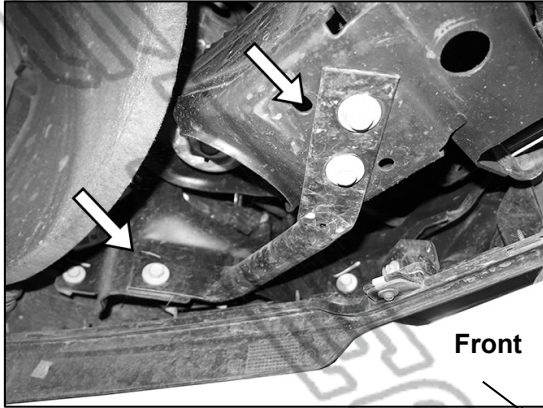


(Fig 2) Remove hood release handle and cover. Reinstall handle. Remove grille. Models equipped with grille camera, pull grille forward and unplug camera



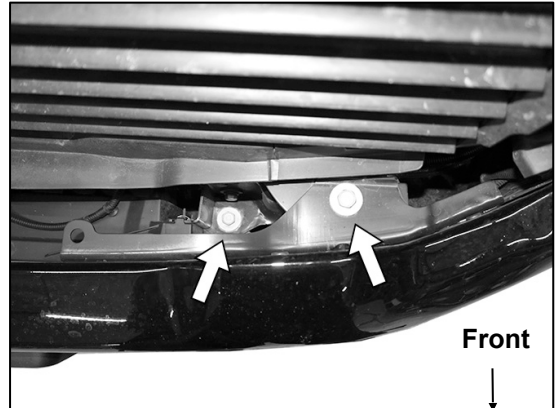
(Fig 3) Reattach hood release lever. Disconnect wire harnesses leading to bumper

Driver/left Side Installation Pictured

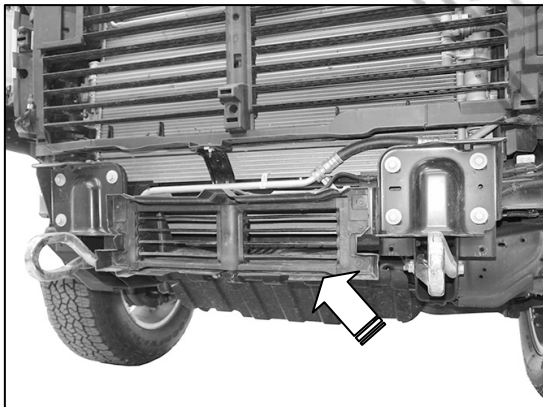


(Fig 4) Remove the outer bumper supports attached to the bottom of the frame

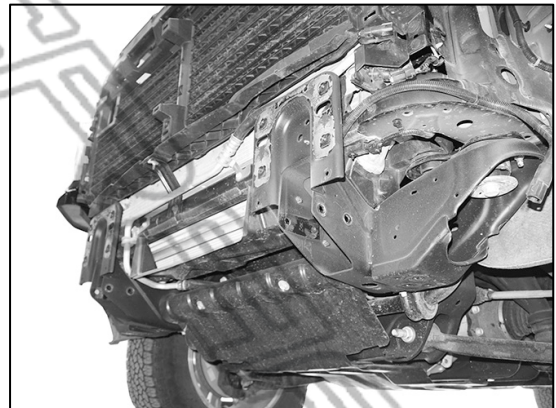
WARNING! Do not crawl under bumper unless it is properly supported on blocks or stands or the bumper may fall.



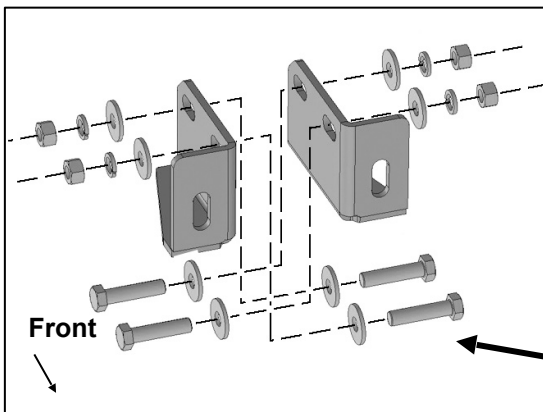
(Fig 5) From above, remove the hex bolts attaching the bumper assembly to the frame bumper brackets (top visible-arrow)



(Fig 6) Remove tow hooks and bumper brackets. Unplug and remove the shutter assembly (arrow) if equipped



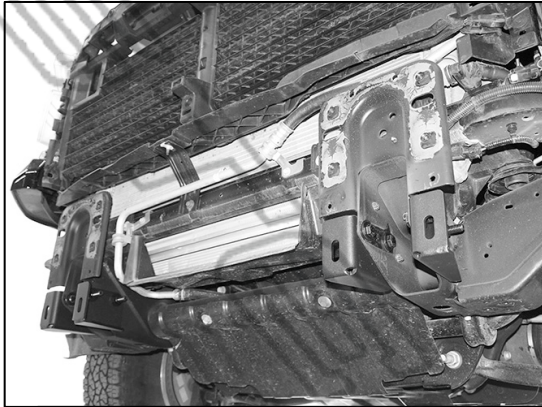
(Fig 7) Bumper brackets removed



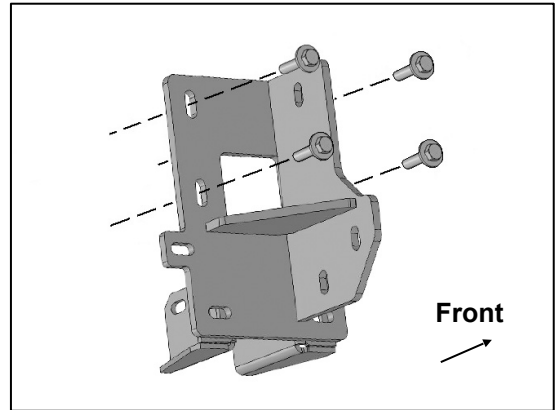
(Fig 8) Attach (1) Left Facing and (1) Right Facing Support Bracket to the sides of the frame

- (4) 12mm x 50mm Hex Bolts
- (8) 12mm Flat Washers
- (4) 12mm Lock Washers
- (4) 12mm Hex Nuts

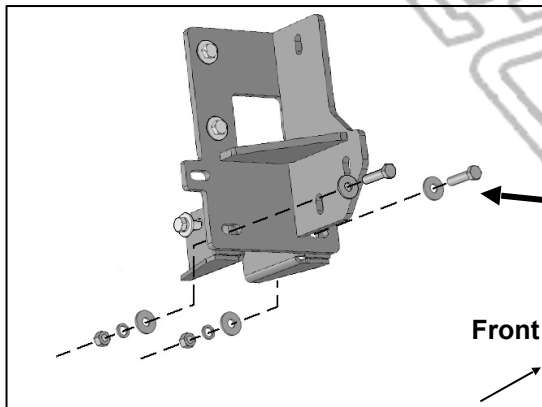
Driver/left Side Installation Pictured



(Fig 9) Support Brackets attached

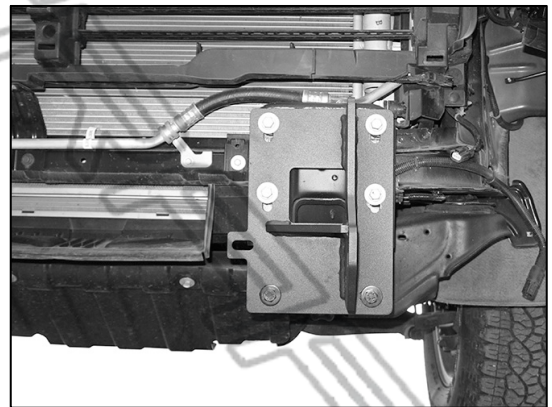


(Fig 10) Reuse the factory hex bolts to attach Driver/left Frame Bracket to end of frame

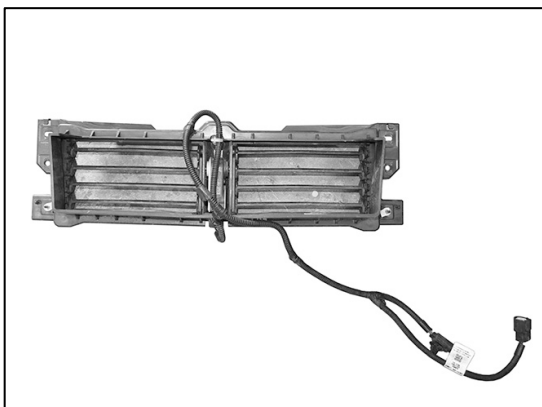


- (2) 12mm x 50mm Hex Bolts
- (4) 12mm Flat Washers
- (2) 12mm Lock Washers
- (2) 12mm Hex Nuts

(Fig 11) Attach the Support Brackets to the bottom slots in the driver/left Frame Bracket

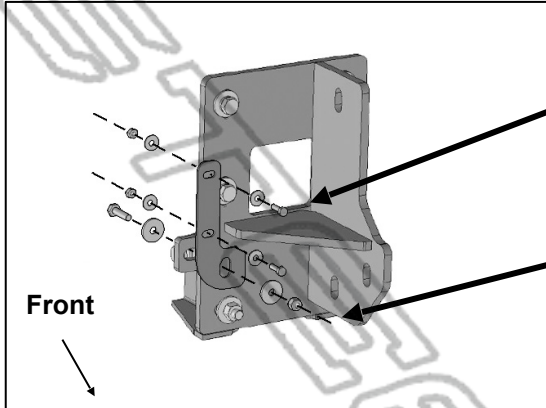


(Fig 12) Driver/left Frame Bracket attached



(Fig 13) Remove inner shutter assembly from plastic outer housing (if equipped)

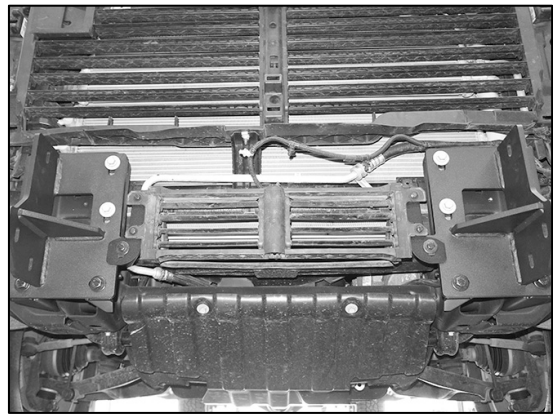
Driver/left Side Installation Pictured



- (2) 6mm x 20mm Hex Bolts
- (4) 6mm Flat Washers
- (2) 6mm Nylon Lock Nuts

- 8mm x 30mm Hex Bolt
- (2) 8mm Flat Washers
- 8mm Nylon Lock Nut

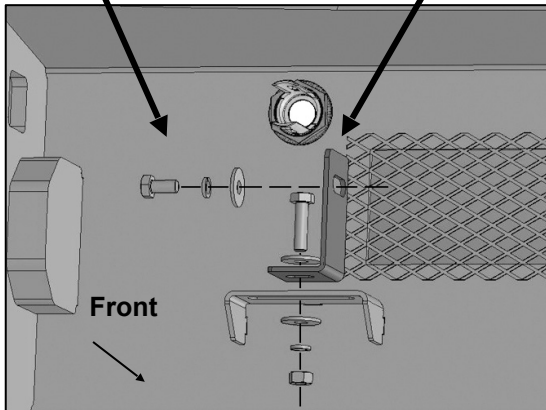
(Fig 14) Attach "L" Relocation Brackets to front of Frame Brackets. Attach shutter assembly to front of Relocation Brackets



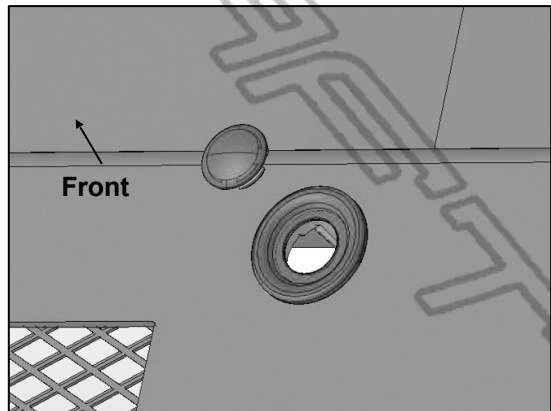
(Fig 15) Attach shutter assembly, (if equipped), to front of Relocation Brackets

- 8mm x 16mm Hex Bolt
- 8mm Lock Washer
- 8mm Flat Washer

- 8mm x 25mm Hex Bolt
- (2) 8mm Flat Washers
- 8mm Lock Washer
- 8mm Hex Nut

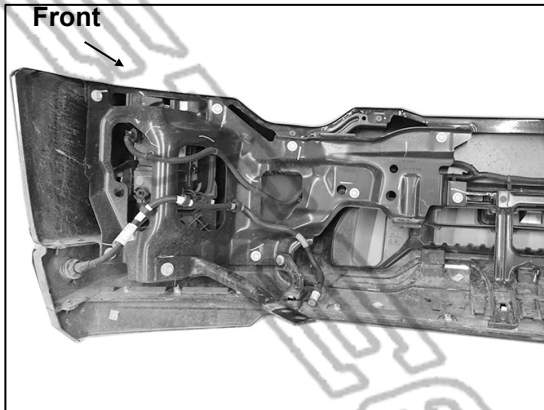


(Fig 16) Universal LED Brackets (light not included)

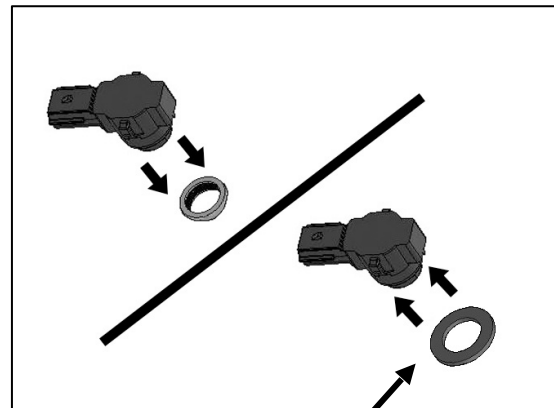


(Fig 17) Push Plug into sensor mount

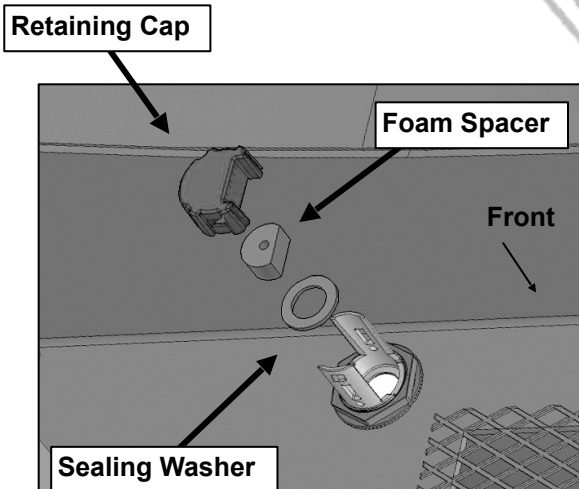
Driver/left Side Installation Pictured



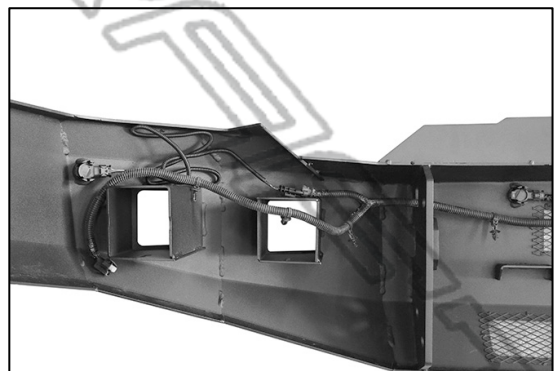
(Fig 18) Disassemble bumper and remove sensors and wiring harness as equipped



(Fig 19) Remove silicone seal from sensor. Slide large Seal over end of sensor (arrow)



(Fig 20) Insert sensor assembly through the sensor sleeve behind the Bumper

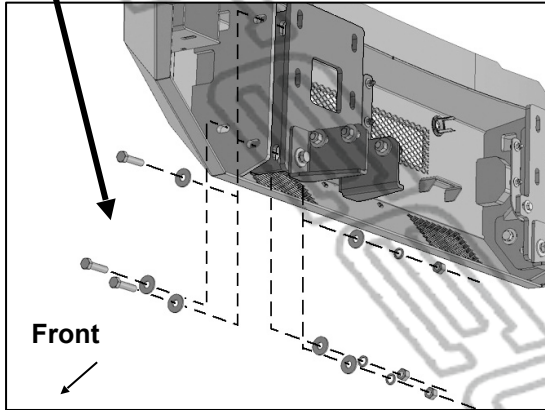


(Fig 21) Attach wiring harness to Bumper. Plug harness into sensors. Use the included Wire Harness Extensions to reach outer sensors

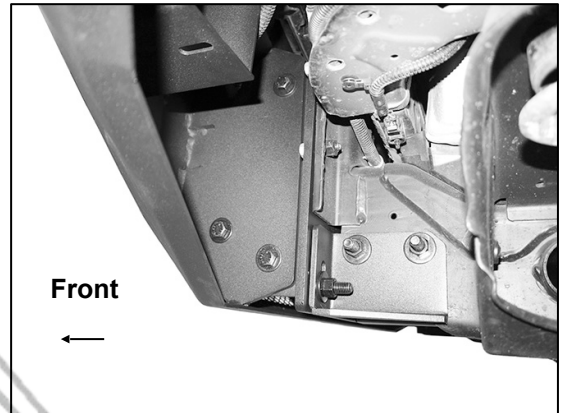
Driver/left Side Installation Pictured

- (3) 12mm x 50mm Hex Bolts
- (6) 12mm Flat Washers
- (3) 12mm Lock Washers
- (3) 12mm Hex Nuts

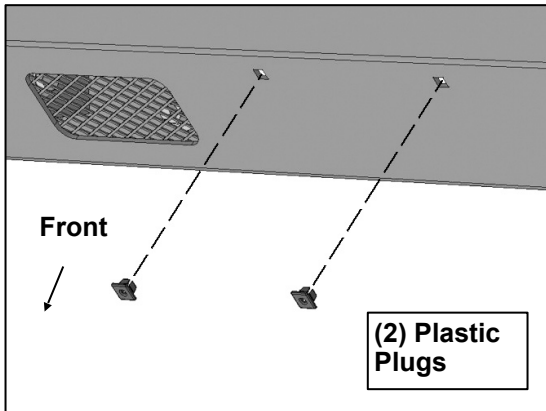
WARNING! Do not crawl under bumper unless it is properly supported on blocks or stands or the bumper may fall.



(Fig 22) Attach the Bumper to Frame Brackets



(Fig 23) Driver/left side of Bumper installed



(2) Plastic
Plugs

(Fig 24) Push Plastic Plugs into holes in Bumper for License Plate



Complete Installation

