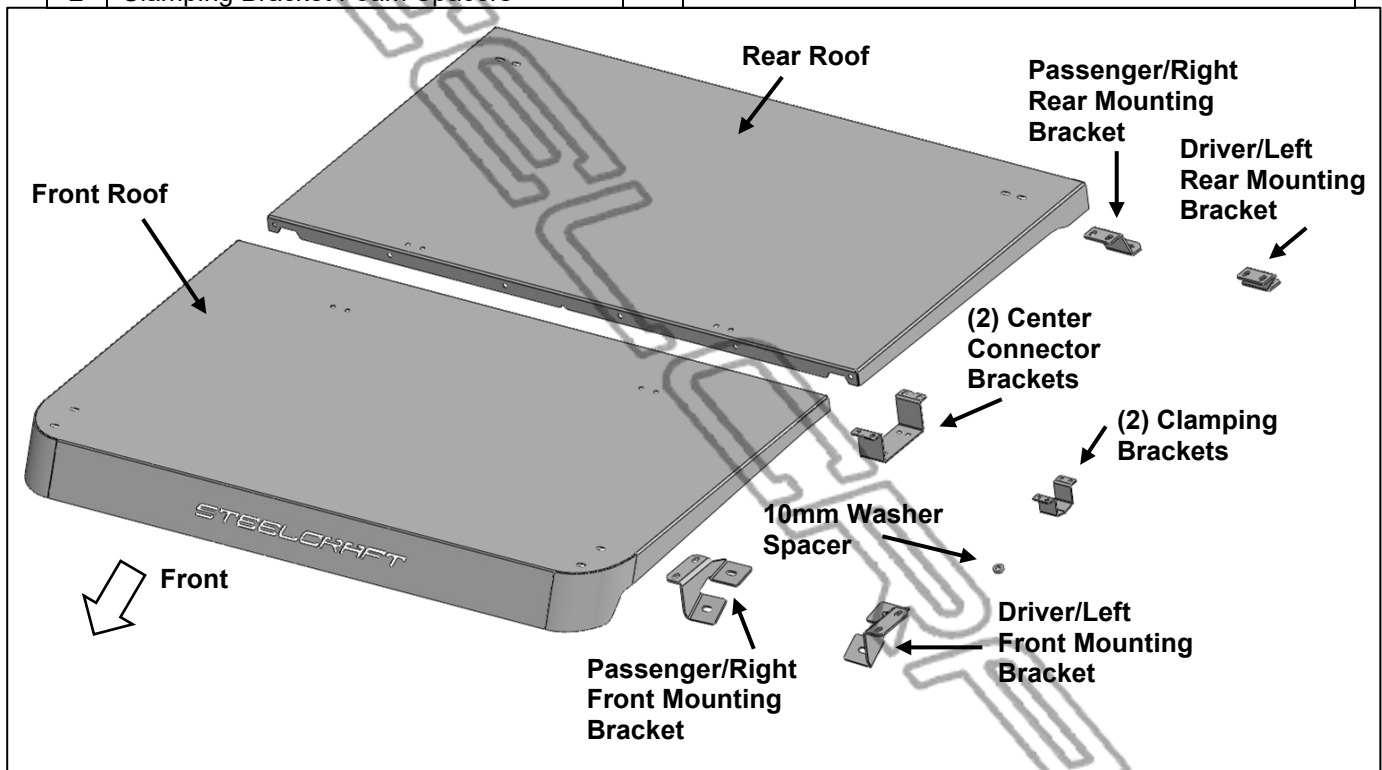


**STEELCRAFT UTV ROOF  
2018-24 POLARIS RANGER CREW CAB**

**PARTS LIST:**

1	Front Roof	4	10mm x 40mm Hex Bolts
1	Rear Roof	8	10mm x 27mm OD x 3mm Flat Washers
1	Driver/Left Front Mounting Bracket	4	10mm Spacer Washers
1	Passenger/Right Front Mounting Bracket	4	10mm Lock Washers
1	Driver/Left Rear Mounting Bracket	4	10mm Hex Nuts
1	Passenger/Right Rear Mounting Bracket	26	8mm x 25mm Button Head Bolts
2	Center Connector Brackets	52	8mm x 22mm OD x 2mm Flat Washers
2	Center Clamping Brackets	26	8mm Lock Washers
1	Driver/Left 4mm Thick Foam Seam	26	8mm Hex Nuts
1	Center 4mm Thick Foam Seam	8	6mm x 20mm Button Head Bolts
1	Passenger/Right 4mm Thick Foam Seam	16	6mm x 12mm OD x 1.6mm Flat Washers
2	Front Bracket Foam Spacers	8	6mm Lock Washers
4	Center Bracket Short Foam Spacers	8	6mm Hex Nuts
2	Center Bracket Long Foam Spacers	1	5mm Allen Wrench
2	Rear Bracket Foam Spacers	1	4mm Allen Wrench
2	Clamping Bracket Foam Spacers		



**PROCEDURE:**

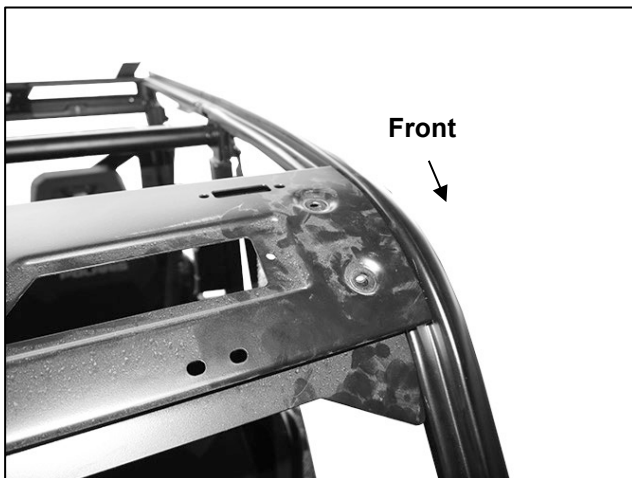
1. REMOVE CONTENTS FROM BOX. VERIFY ALL PARTS ARE PRESENT. SOME PARTS ARE SMALL AND CAN BE HIDDEN IN WRAPPINGS. READ INSTRUCTIONS CAREFULLY. USE ILLUSTRATION TO IDENTIFY BRACKETS. REMOVE ANY PREVIOUSLY INSTALLED ROOFS AND RACKS.
2. Starting on the Driver/Left front of the vehicle, locate the front mounting location, (Figure 1). Select the Driver/Left Front Mounting Bracket and (1) Front Bracket Foam Spacer. Peel off the adhesive backing and attach the Foam Spacer to the mounting tab on the top of the Bracket, (Figure 2).
3. Place (2) 10mm Spacer Washers into the indents around the hole in the front mounting location, (Figure 3). Attach the Driver/Left Front Mounting Bracket to the frame with (2) 10mm Hex Bolts, (4) 10mm Flat Washers, (2) 10mm Lock Washers and (2) 10mm Hex Nuts, (Figures 4 & 5). Do not tighten hardware.
4. Move to the rear mounting location, (Figure 6). Select the Driver/Left Rear Mounting Bracket and (1) Rear Bracket Foam Spacer. Peel off the adhesive backing and attach the Foam Spacer to the mounting tab on top of the Bracket, (Figure 7).

**STEELCRAFT UTV ROOF  
2018-24 POLARIS RANGER CREW CAB**

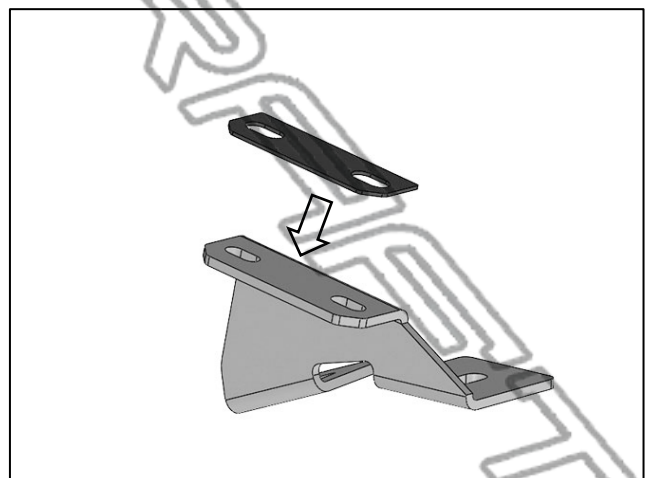
5. Attach the Driver/Left Rear Mounting Bracket to the cage with (2) 8mm Button Head Bolts, (4) 8mm Flat Washers, (2) 8mm Lock Washers and (2) 8mm Hex Nuts, **(Figure 8 & 9)**. Do not tighten hardware.
6. Repeat **Steps 2—5** to attach the Passenger/Right Front and Rear Mounting Brackets.
7. Select the (3) Foam Seams. Peel off the adhesive backings and attach the Seams to the Front Roof Platform, **(Figure 10)**.
8. Attach the Front and Rear Roof Platforms together with (6) 8mm Button Head Bolts, (12) 8mm Flat Washers, (6) 8mm Lock Washers and (6) 8mm Hex Nuts, **(Figure 11)**.
9. Select (1) Center Connector Bracket, (2) Center Short Foam Spacers and (1) center Long Foam Spacer. Attach the Short Foam Spacers to the (2) upper mounting tabs on the Center Bracket. Attach the Long Foam Spacer to the bottom of the Center Bracket, **(Figure 12)**.
10. Attach the Center Connector Bracket to the underside of the Roof Platforms with (4) 8mm Button Head Bolts, (8) 8mm Flat Washers, (4) 8mm Lock Washers and (4) 8mm Hex Nuts, **(Figure 13)**. Do not tighten hardware.
11. Repeat **Steps 9 & 10** to attach the remaining Center Connector Bracket.
12. With assistance, lift the Roof assembly onto the Mounting Brackets. Attach the Roof to the Mounting Brackets with (8) 8mm Button Head Bolts, (16) 8mm Flat Washers, (8) 8mm Lock Washers and (8) 8mm Hex Nuts, **(Figures 14 & 15)**. Do not tighten Hardware.
13. Select (1) Center Clamping Bracket and Center Clamping Foam Spacer. Attach the Foam Spacer to the inner bend of the Bracket, **(Figure 16)**. Attach the Clamping Bracket to the Center Connector Bracket over the cage tubing with (4) 6mm Button Head Bolts, (8) 6mm Flat Washers, (4) 6mm Lock Washers and (4) 6mm Hex Nuts, **(Figures 17 & 18)**. Do not tighten hardware.
14. Level and adjust the Roof Platforms and tighten all hardware.
15. Do periodic inspections to the installation to make sure that all hardware is secure and tight.

**To protect your investment**, Do not use any type of polish or wax that may contain abrasives that could damage the finish. Mild soap may be used to clean the Platform.

**Driver Side Installation Pictured**

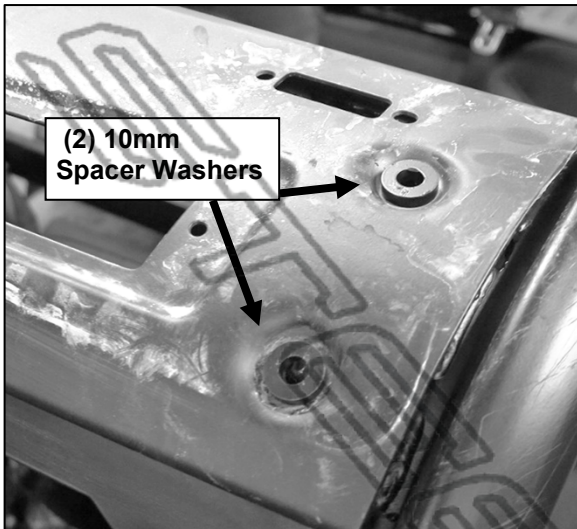


**(Fig 1) Driver/Left front mounting location**



**(Fig 2) Attach (1) Front Bracket Foam Spacer to the top of the Driver/Left Front Mounting Bracket**

Driver Side Installation Pictured

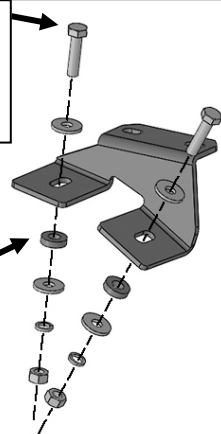


(2) 10mm  
Spacer Washers

(Fig 3) Place Spacer Washers into indentations

(2) 10mm Hex Bolts  
(4) 10mm Flat Washers  
(2) 10mm Lock Washers  
(2) 10mm Hex Nuts

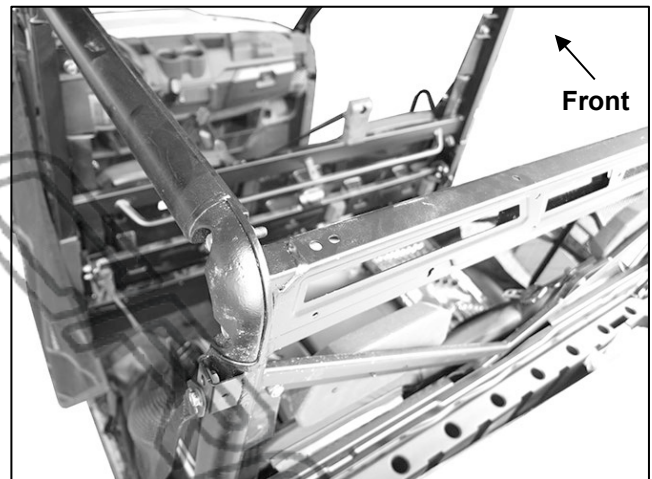
(2) 10mm  
Spacer Washers



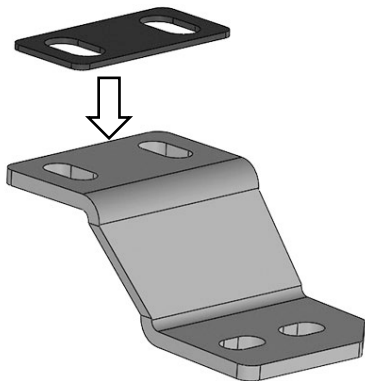
(Fig 4) Attach the Driver/Left Mounting Bracket to the front location



(Fig 5) Driver/Left Front Mounting Bracket attached to the front location

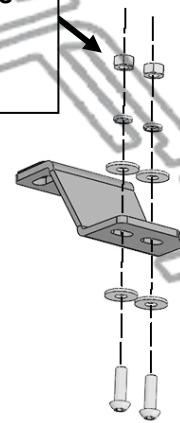


(Fig 6) Driver/Left rear mounting location



(Fig 7) Attach (1) Rear Bracket Foam Spacer to the top of the Driver/Left Rear Mounting Bracket

(2) 8mm Button Head Bolts  
(4) 8mm Flat Washers  
(2) 8mm Lock Washers  
(2) 8mm Hex Nuts



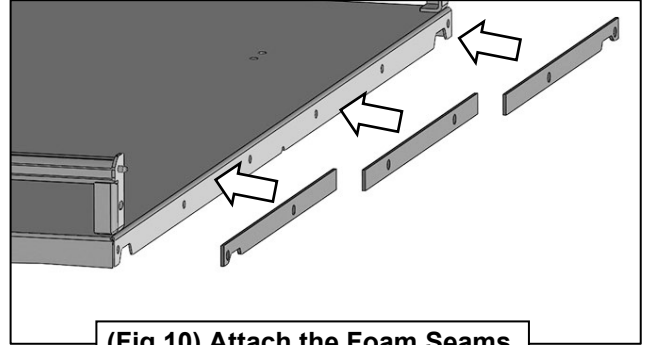
(Fig 8) Attach the Driver/Left Rear Mounting Bracket to the rear mounting location



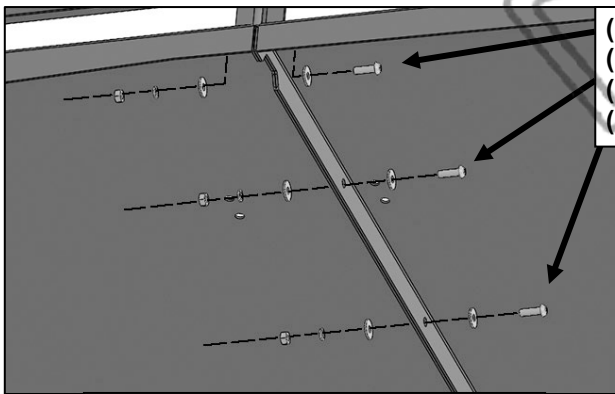
Driver Side Installation Pictured



(Fig 9) Rear Bracket attached to rear mounting location

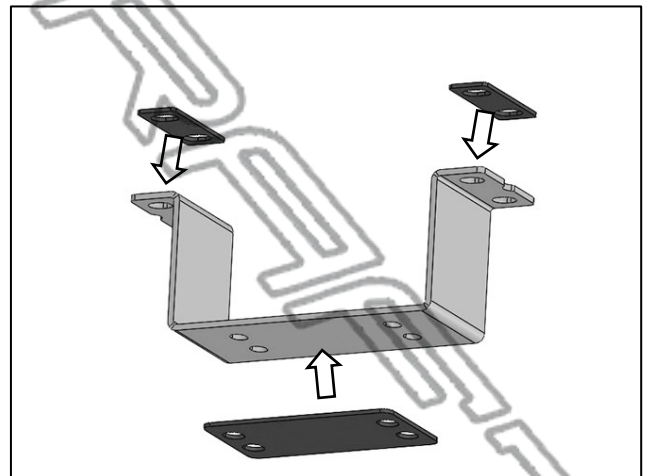


(Fig 10) Attach the Foam Seams to the Front Roof Platform

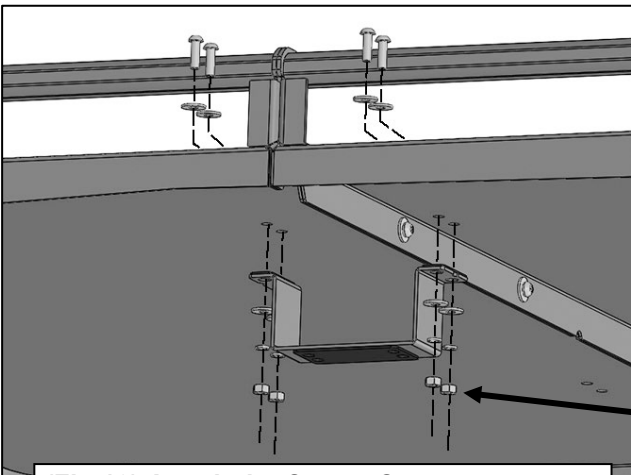


- (6) 8mm Button Head Bolts
- (12) 8mm Flat Washers
- (6) 8mm Lock Washers
- (6) 8mm Hex Nuts

(Fig 11) Attach the Front Roof Platform to the Rear Roof Platform



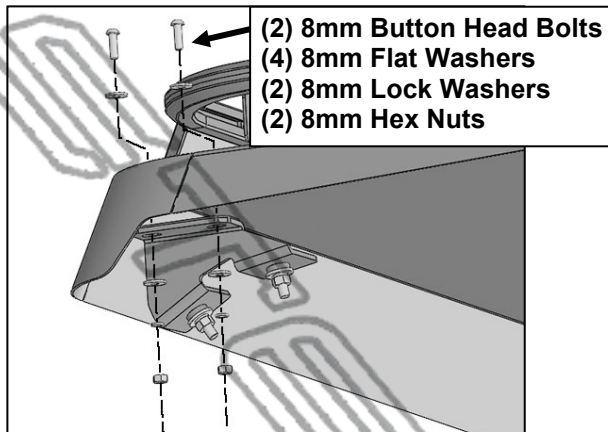
(Fig 12) Attach the Center Foam Spacers to the Center Connector Bracket



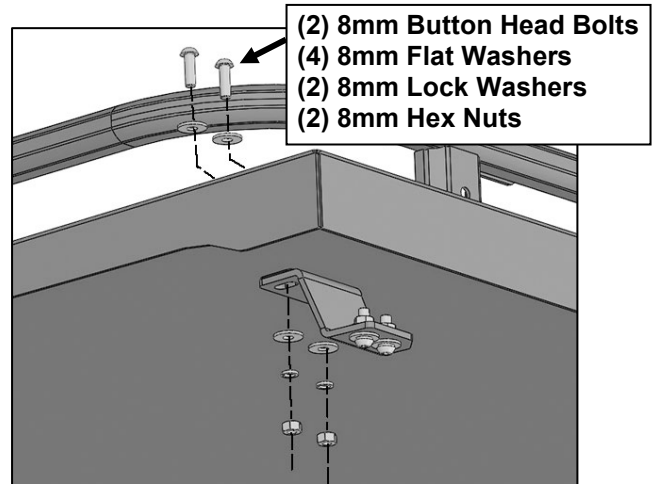
- (4) 8mm Button Head Bolts
- (8) 8mm Flat Washers
- (4) 8mm Lock Washers
- (4) 8mm Hex Nuts

(Fig 13) Attach the Center Connector Bracket to the bottom of the Roof Platforms

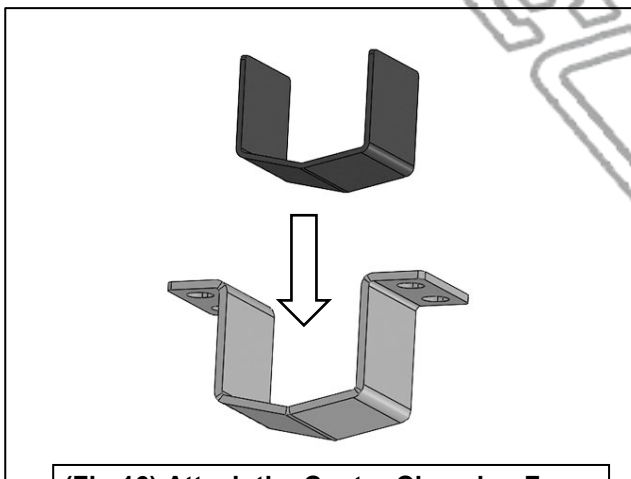
Driver Side Installation Pictured



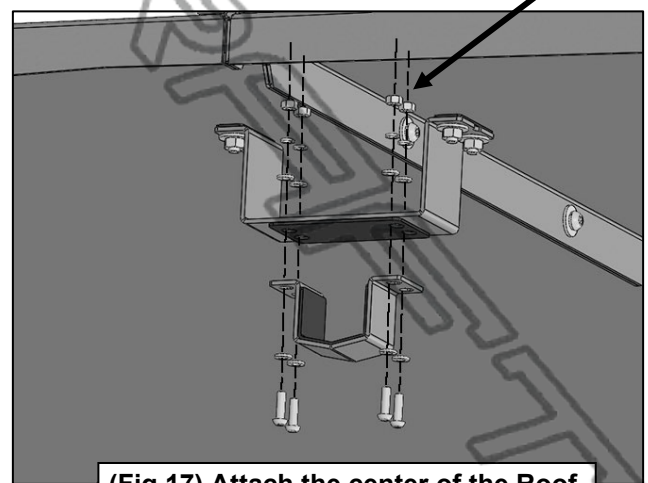
(Fig 14) Attach the front of the Roof Platform to the Driver/Left Mounting Bracket



(Fig 15) Attach the front of the Roof Platform to the Driver/Left Mounting Bracket



- (4) 6mm Button Head Bolts
- (8) 6mm Flat Washers
- (4) 6mm Lock Washers
- (4) 6mm Hex Nuts



(Fig 18) Center of the Roof Platform attached to the center crossmember